

# TOLGA-PITCHING



**EN** - This awning should be erected by at least 2 people

**CZ** - Těto stan by měl být postaven nejméně 2 osobami

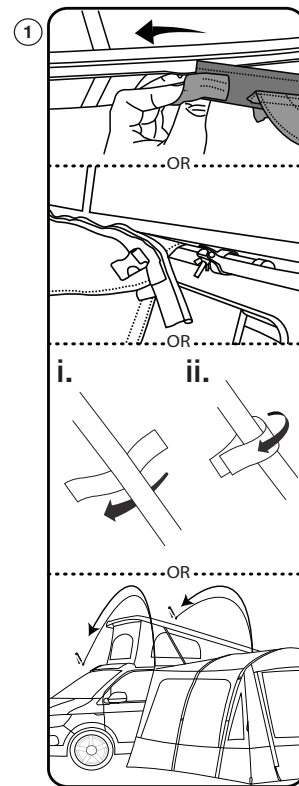
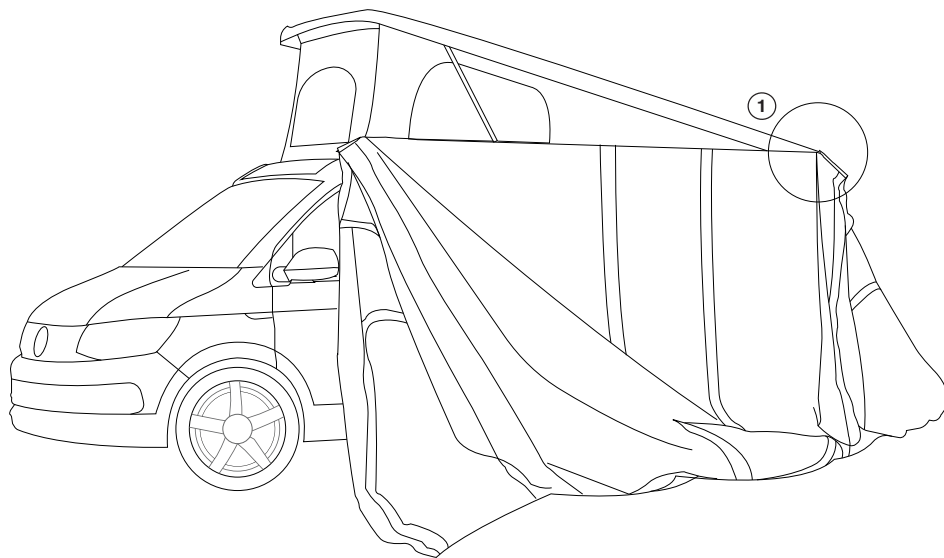
**DE** - Dieses Zelt sollte von mindestens zwei Personen aufgestellt werden

**FR** - Cette tente doit être érigée par au moins 2 personnes

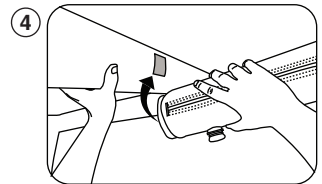
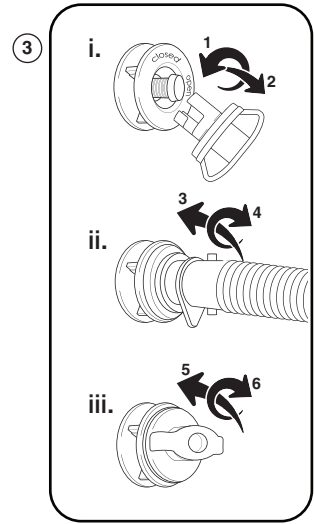
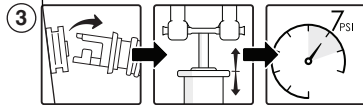
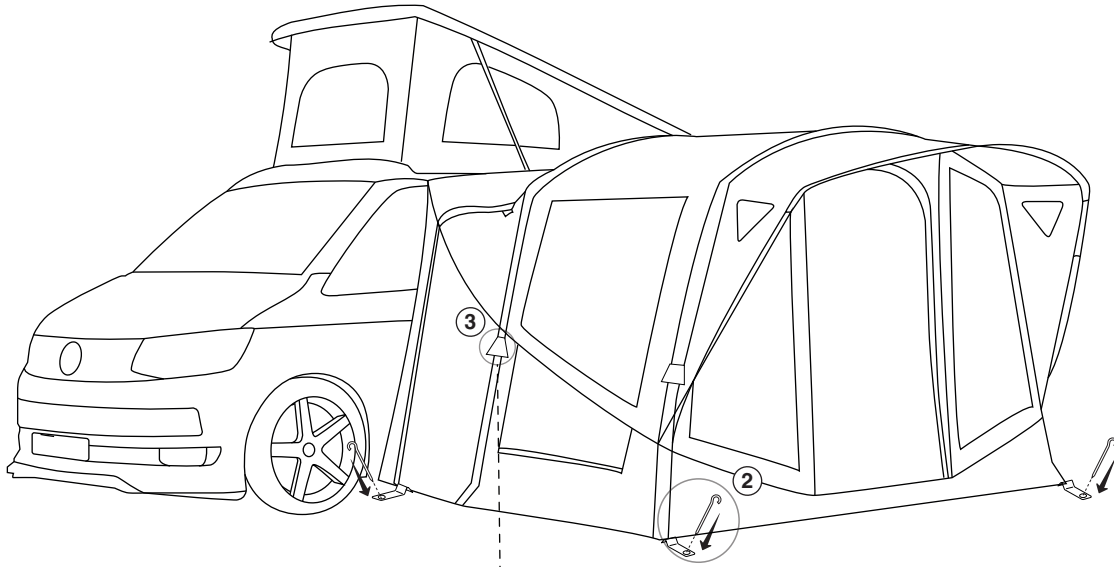
**IT** - Questa tenda deve essere eretta da almeno 2 persone

**NL** - Deze tent moet worden omgeven door minstens 2 personen

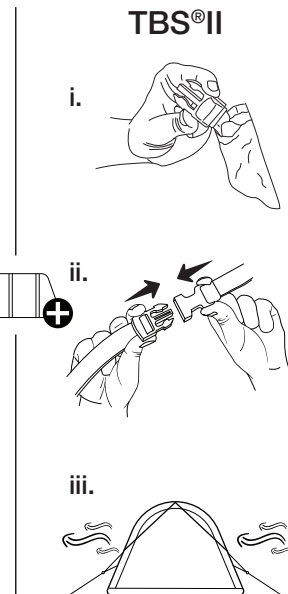
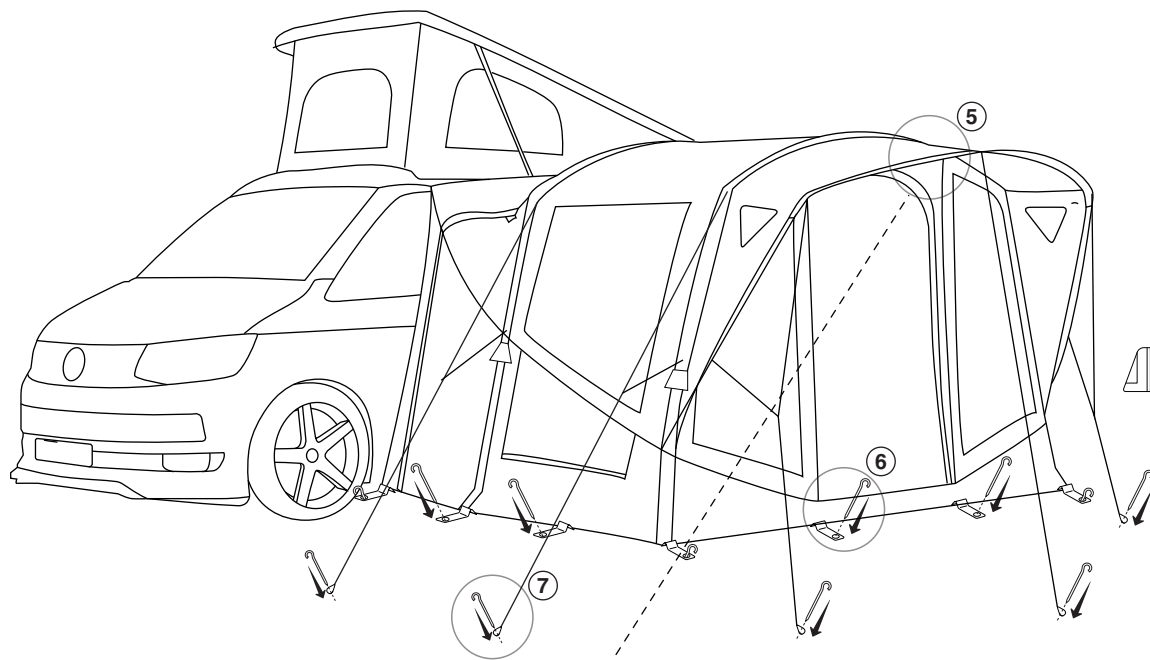
A.



B.



C.



# TOLGA – TAKING DOWN & PACKING



**EN** - This awning should be taken down by at least 2 people

**CZ** - Tento stan by měl být sundán nejméně 2 osobami

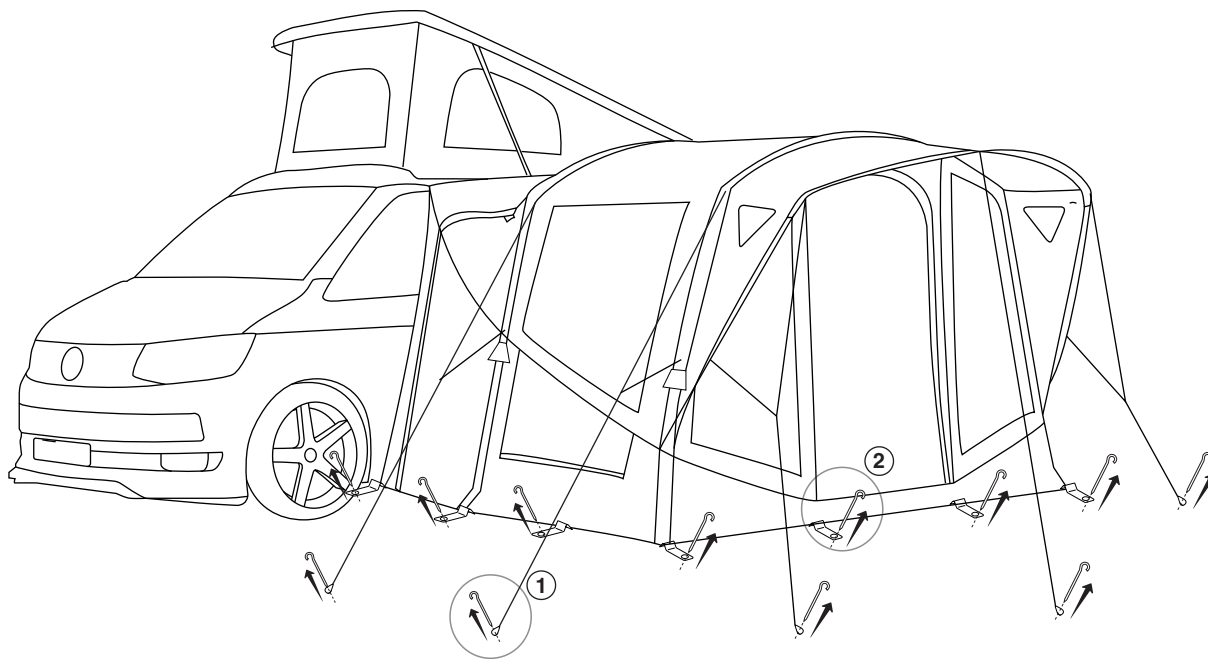
**DE** - Dieses Zelt sollte von mindestens zwei Personen heruntergenommen werden

**FR** - Cette tente doit être prise par au moins 2 personnes

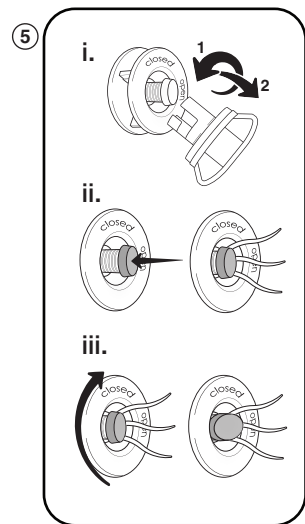
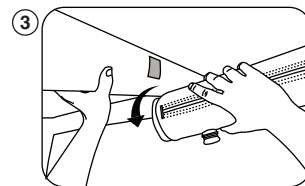
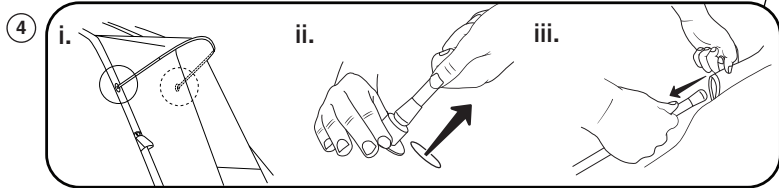
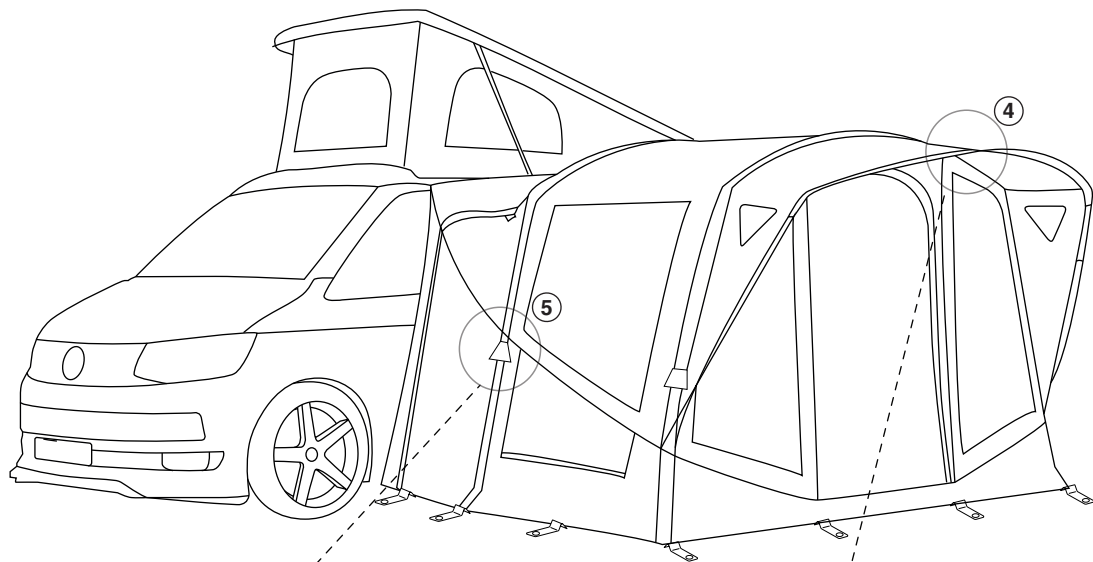
**IT** - Questa tenda deve essere assunta verso il basso da almeno 2 persone

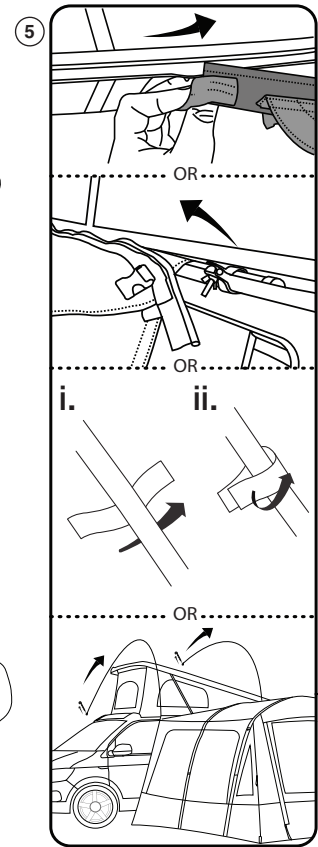
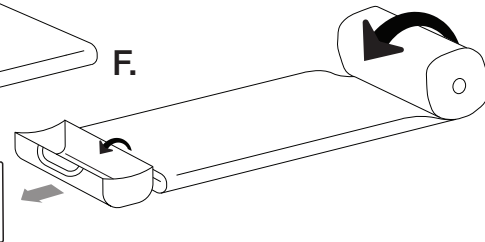
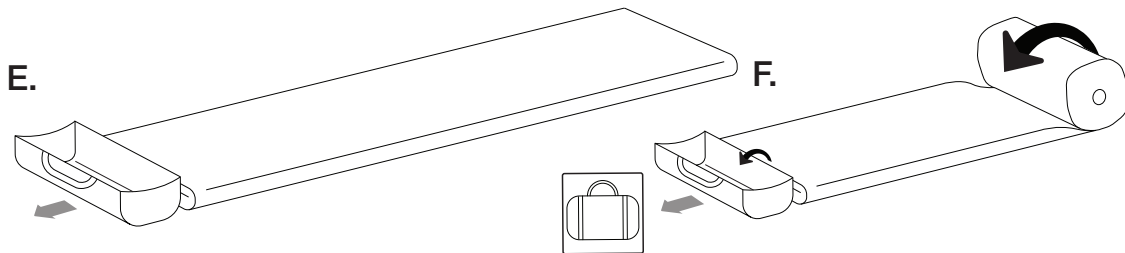
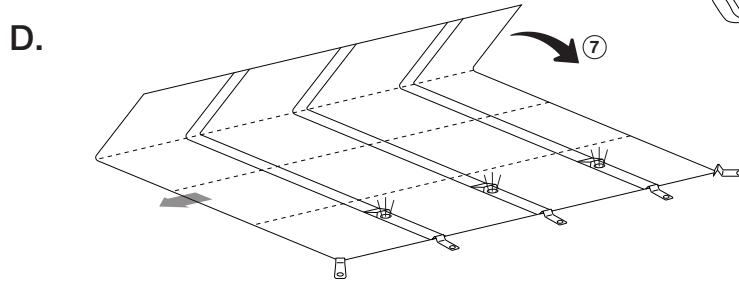
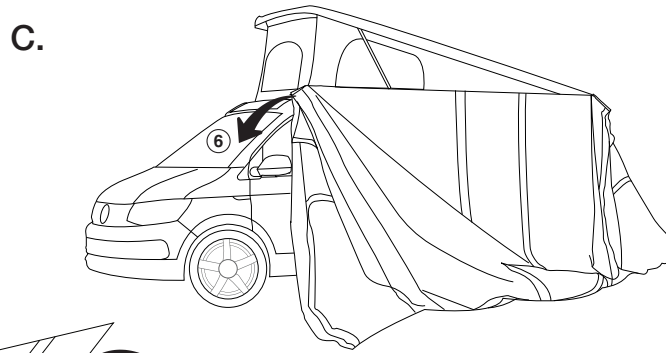
**NL** - Deze tent moet door minstens 2 personen worden genomen

A.



B.





Vango makes every effort to ensure the accuracy of our information. We do however have a policy of continuous improvement and we therefore reserve the right to change or amend colours and specifications without prior notice. ©AMG Group Ltd.