

# WAECO

mobile solutions



## WAECO CoolFun CK-40D

**D 4 Kompressor-Kühlbox**  
Bedienungsanleitung

**GB 12 Compressor Cooler**  
Instruction Manual

**F 20 Glacière à compression**  
Notice d'emploi

**E 28 Nevera por compresor**  
Instrucciones de uso

**I 36 Frigorifero a compressore**  
Istruzioni per l'uso

**NL 44 Compressorkoelbox**  
Gebruiksaanwijzingen

**DK 52 Kompressor-køleboks**  
Betjeningsanvisning

**S 60 Kylbox med kompressor**  
Bruksanvisning

**N 67 Kjøleboks med kompressor**  
Bruksanvisning

**FIN 75 Kompressorikylmälaatikko**  
Käyttöohjeet

D

Fordern Sie weitere Informationen zur umfangreichen Produktpalette aus dem Hause WAECO an. Bestellen Sie einfach unsere Kataloge kostenlos und unverbindlich unter der Internetadresse: [www.waeco.de](http://www.waeco.de)

GB

We will be happy to provide you with further information about WAECO products. Please order our free catalogue with no obligation to buy on our homepage: [www.waeco.com](http://www.waeco.com)

F

Demandez d'autres informations relatives à la large gamme de produits de la maison WAECO. Commandez tout simplement notre catalogue gratuitement et sans engagement à l'adresse internet suivante : [www.waeco.com](http://www.waeco.com)

E

Solicite más información sobre la amplia gama de productos de la empresa WAECO. Solicite simplemente nuestros catálogos de forma gratuita y sin compromiso en la dirección de Internet: [www.waeco.com](http://www.waeco.com)

I

Per ottenere maggiori informazioni sull'ampia gamma di prodotti WAECO è possibile ordinare una copia gratuita e non vincolante del nostro Catalogo all'indirizzo Internet: [www.waeco.com](http://www.waeco.com)

NL

Maak kennis met het omvangrijke productscala van de firma WAECO. Bestel onze catalogus gratis en vrijblijvend onder het internetadres: [www.waeco.com](http://www.waeco.com)

DK

Bestil yderligere information om det omfattende produktudvalg fra WAECO. Bestil vores katalog gratis og uforpligtende på internetadressen: [www.waeco.com](http://www.waeco.com)

S

Inhämta mer information om den omfattande produktpaletten från WAECO: Beställ våra kataloger gratis och utan förpliktelser under vår Internetadress: [www.waeco.com](http://www.waeco.com)

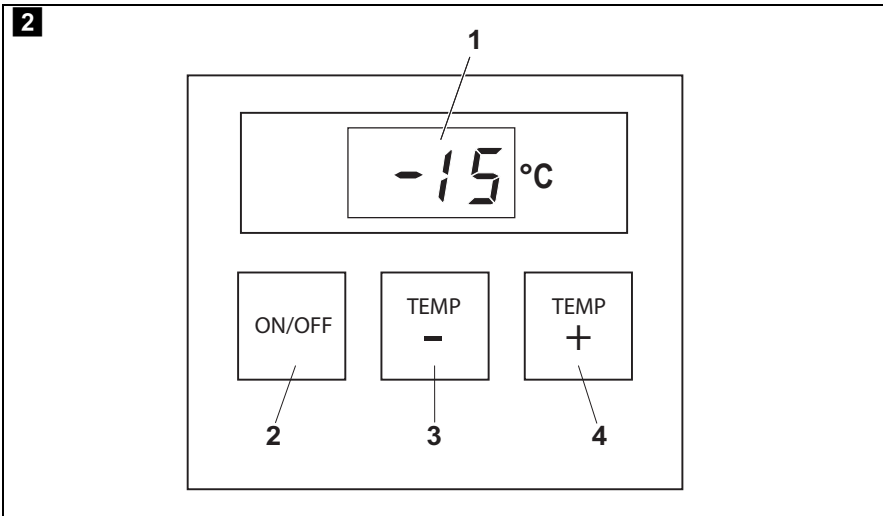
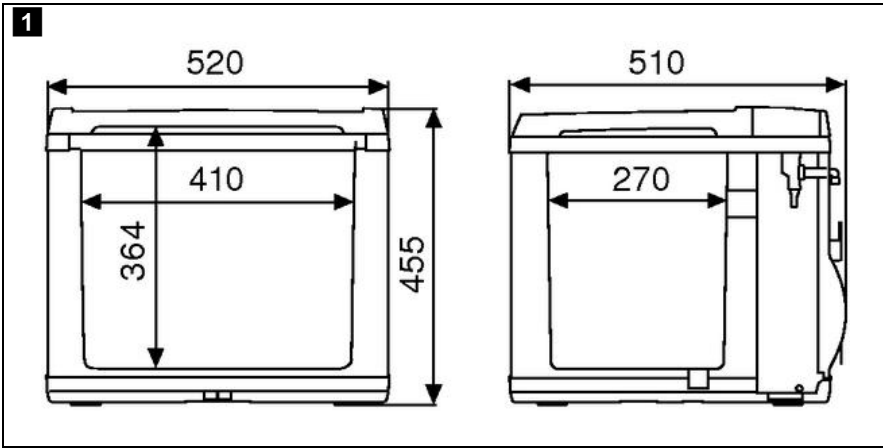
N

Be om mer informasjon om det rikholdige produktutvalget fra WAECO. Bestill vår katalog gratis uforbindtlig på Internettadressen: [www.waeco.com](http://www.waeco.com)

FIN

Pyytäkää lisää tietoja WAECOn kattavista tuotevalikoimista. Tilatkaa tuotekuvastomme maksutta ja sitoumuksetta internet-osoitteesta: [www.waeco.com](http://www.waeco.com)

# CK-40D



**Please read this manual carefully before starting the machine. Keep it in a safe place for future reference. If the device is resold, this instruction manual must be handed over to the purchaser along with the device.**

## Contents

1	Notes on using the instruction manual . . . . .	12
2	Safety instructions . . . . .	13
3	Scope of delivery . . . . .	14
4	Proper use . . . . .	14
5	Technical description . . . . .	15
6	Operation . . . . .	15
7	Cleaning and care . . . . .	17
8	Guarantee . . . . .	18
9	Disposal . . . . .	18
10	Troubleshooting . . . . .	18
11	Technical data . . . . .	19

# 1 Notes on using the instruction manual

The following symbols are used in this instruction manual:



**Caution!**

**Safety instruction:** failure to observe this instruction can cause injury or damage the device.



**Caution!**

**Safety instruction** relating to a danger from electrical current or voltage. Failure to observe this instruction can damage the device and impair its function and cause injury.



**Note**

Supplementary information for operating the device.

► **Action:** this symbol indicates that you need to do something.  
The required action is described step-by-step.

✓ This symbol indicates the result of an action.

**1** 5, page 3: This refers to an element in an illustration. In this case, item 5 in figure 1 on page 3.

**Please observe the following safety instructions.**

## 2 Safety instructions

### 2.1 General safety

- Use only the connection cable to connect the device to the AC mains.
- Never pull the plug out of the socket by the cable.
- If the cable is damaged, it must be replaced to prevent possible electrical hazards.
- Do not operate the device if it is visibly damaged.
- This device may only be repaired by specialist personnel. Inadequate repairs can lead to considerable hazards.  
Should your device need to be repaired, please contact WAECO customer services.
- Pull out the plug:
  - Before cleaning and care
  - After use
- Ensure that the ventilation slots are not covered.
- Check that the voltage specification on the type plate corresponds to that of the energy supply.
- The cooling device is not suitable for transporting caustic materials or materials containing solvents.
- **Electronic devices are not toys!**  
Do not let children play with this appliance. Children and infirmed persons should be supervised when using the appliance.

## 2.2 Operating the device safely

- Before starting the device ensure that the power supply line and the plug are dry.
- Do not place the device near flames or other heat sources (heaters, direct sunlight, gas ovens etc.).
- Do not fill the inner container with ice or fluid.
- Do not immerse the device in water.
- Never expose the device to rain or moisture.
- Protect the device and the cable against heat and moisture.
- Do not touch exposed cables with your bare hands. This especially applies to when operating the device with the AC mains: **mortal danger!**
- WAECO cannot be held liable for damage resulting from **improper usage** or **incorrect operation**.

## 3 Scope of delivery

Quantity	Description
1	Coolbox
1	Instruction manual

## 4 Proper use

The coolbox is suitable for cooling and freezing foodstuffs. The device is also suitable for camping.

If you wish to cool medicines, please check if the cooling capacity of the device is suitable for the medicine in question.

## 5 Technical description

The coolbox is suitable for use when camping, on a terrace, in the backyard, or anywhere where a 220-240 V power connection is available. The device can cool goods down and keep them cool or freeze them.

A maintenance-free, CFC-free refrigerant circuit with compressor provides the cooling. The extra strong CFC-free insulation and powerful compressor ensure especially fast cooling.

You can use the digital display to set the temperature you require.

The lid is sealed all round and has a magnetic lock.

The cooler has the following control elements:

No. in <b>2</b> , Seite 3	Description	Explanation
1	Display	Shows the current or required temperature.
2	ON/OFF	Switches the cooler on or off.
3	TEMP –	Decreases the desired cooling temperature by 1 °C.
4	TEMP +	Increases the desired cooling temperature by 1 °C.

## 6 Operation



Before starting your new coolbox for the first time, you should clean it inside and outside with a damp cloth for hygienic reasons (please also refer to the Kapitel „Cleaning and care“ auf Seite 17).

### 6.1 Energy saving tips

- Choose a well ventilated installation location which is protected against direct sunlight.
- Allow food to cool down first before placing it in the device.
- Do not open the coolbox more often than necessary.
- Do not leave the lid open for longer than necessary.

## 6.2 Using the cooler



Food may only be stored in its original packaging or in suitable containers.

- ▶ Place the cooler on a firm foundation.
- ▶ Use the cable to connect the cooler to a 220-240 V AC socket.
- ▶ Switch the cooler on by pressing the “ON/OFF” button (**2** 2, Seite 3).
- ✓ The display switches on and shows the current cooling temperature in °C.
- ✓ The cooler starts cooling the interior.
- ▶ To switch the cooler off, press the “ON/OFF” button (**2** 2, Seite 3).
- ▶ The display switches off.



Ensure that the objects placed in the cooler are suitable for cooling to the selected temperature.



Ensure that food or liquids in glass containers are not excessively refrigerated. Liquids expand when they freeze and can thus destroy the glass containers.

### Setting the temperature



The cooling capacity can be influenced by:

- The ambient temperature
- The quantity of goods to be cooled
- The frequency with which the door is opened.

- ▶ Press the “TEMP –” (**2** 3, Seite 3) button to **decrease** the desired cooling temperature by 1 °C, or press the “TEMP +” (**2** 4, Seite 3) button to **increase** the desired cooling temperature by 1 °C.
- ✓ The cooling temperature set in °C then appears in the display for a few seconds.
- ✓ The display flashes to confirm that the selected temperature has been set.



### 6.3 Defrosting the cooler

Humidity can form frost in the interior of the cooling device or on the vaporiser. This reduces the cooling capacity. Defrost the device in good time to avoid this.



**Caution - Danger of damaging the device!**

Never use hard or pointed tools to remove ice or to loosen objects which have frozen in place.

To defrost the cooler, proceed as follows:

- Take out the contents of the cooling device.
- If necessary, place them in another cooling device to keep them cool.
- Switch off the device.
- Leave the cover open.
- Wipe off the defrosted water.

## 7 Cleaning and care



**Caution!**

Before cleaning the coolbox, pull the cable out of the socket.



**Caution!**

Do not clean the coolbox under flowing water or in dish water.



**Caution!**

Do not use abrasive cleaning agents or hard objects during cleaning as these can damage the coolbox.

- Clean the interior of the coolbox with a damp cloth from time to time.
- Clean the exterior of the device with a damp cloth.

## 8 Guarantee

Our general guarantee conditions apply. If the product is defective, please return it to the WAECO distributor in your county (addresses on the back on the instruction manual). The following documents must be included with the device when it is sent in for repair:

- Copy of the receipt with purchase date
- A reason for the guarantee claim or description of the fault

## 9 Disposal

- Place the packaging material in the appropriate recycling waste bins wherever possible.







If you wish to finally dispose of the device, ask your local recycling centre or specialist dealer for details about how to do this in accordance with the applicable disposal regulations.

## 10 Troubleshooting

Fault	Possible cause	Suggested remedy
The coolbox does not work.	The coolbox is not properly connected.	Check whether the connection cable and any extension cables are correctly plugged in. If you are using an extension cable, check it and replace if defective.
	The refrigerant circuit is defective.	This can only be repaired by an authorised customer services unit.

## 11 Technical data

Capacity:	40 l
Connection voltage:	220-240 Volt AC
Mean power consumption:	65 W
Cooling-temperature range:	+10 °C to -15 °C
Weight:	Approx. 22 kg
Testing/certification:	   

Versions and delivery options may change due to technical modifications.

This device is CFC-free.

This device carries the GS symbol to indicate tested and proven safety.

# WAECO

## mobile solutions

### Headquarters

**D** **WAECO International GmbH** · Hollefeldstraße 63 · D-48282 Emsdetten  
 ☎ +49 2572 879-195 · 📠 +49 2572 879-322 · Mail: info@waeco.de · Internet: www.waeco.de

### Europe

**CH** **WAECO Schweiz AG**  
 Riedackerstrasse 7a  
 CH-8153 Rümlang (Zürich)  
 ☎ +41 44 8187171  
 📠 +41 44 8187191  
 Mail: info@waeco.ch

**DK** **WAECO Danmark A/S**  
 Tværvej 2  
 DK-6640 Lunderskov  
 ☎ +45 75585966  
 📠 +45 75586307  
 Mail: waeco@waeco.dk

**E** **WAECO Ibérica S.A.**  
 Camí del Mig, 106  
 Poligono Industrial Les Corts  
 E-08349 Cabrera de Mar  
 (Barcelona)  
 ☎ +34 93 7502277  
 📠 +34 93 7500552  
 Mail: info@waeco.es

**F** **WAECO Distribution SARL**  
 ZAC 2 · Les Portes de L'Oise  
 Rue Isaac Newton – BP 59  
 F-60230 Chambly (Paris)  
 ☎ +33 1 30282020  
 📠 +33 1 30282010  
 Mail: info@waeco.fr

**FIN** **WAECO Finland OY**  
 Mestarintie 4  
 FIN-01730 Vantaa  
 ☎ +358 20 7413220  
 📠 +358 9 7593700  
 Mail: waeco@waeco.fi

**I** **WAECO Italcold SRL**  
 Via dell'Industria 4/0  
 I-40012 Calderara di Reno (BO)  
 ☎ +39 051 727094  
 📠 +39 051 727687  
 Mail: sales@waeco.it

**N** **WAECO Norge AS**  
 Leif Weldingsvei 16  
 N-3208 Sandefjord  
 ☎ +47 33428450  
 📠 +47 33428459  
 Mail: firmapost@waeco.no

**NL** **WAECO Benelux B.V.**  
 Ecustraat 3  
 NL-4879 NP Etten-Leur  
 ☎ +31 76 5029000  
 📠 +31 76 5029090  
 Mail: verkoop@waeco.nl

**S** **WAECO Svenska AB**  
 Gustaf Melins gata 7  
 S-42131 Västra Frölunda  
 (Göteborg)  
 ☎ +46 31 7341100  
 📠 +46 31 7341101  
 Mail: info@waeco.se

**UK** **WAECO UK Ltd.**  
 Dorset DT2 8LY · Unit G  
 Roman Hill Business Park  
 UK-Broadmayne  
 ☎ +44 1305 854000  
 📠 +44 1305 854288  
 Mail: sales@waeco.co.uk

### Overseas + Middle East

**AUS** **WAECO Pacific Pty. Ltd.**  
 1 John Duncan Court  
 Varsity Lakes QLD 4227  
 ☎ +61 7 55076000  
 📠 +61 7 55076001  
 Mail: sales@waeco.com.au

**HK** **WAECO Impex Ltd.**  
 Suites 3210-12 · 32/F · Tower 2  
 The Gateway · 25 Canton Road  
 Tsim Sha Tsui · Kowloon  
 Hong Kong  
 ☎ +852 24632750  
 📠 +852 24639067  
 Mail: info@waeco.com.hk

**ROC** **WAECO Impex Ltd.**  
 Taipei Office  
 2 FL-3 · No. 56 Tunhua South Rd, Sec 2  
 Taipei 106, Taiwan  
 ☎ +886 2 27014090  
 📠 +886 2 27060119  
 Mail: marketing@waeco.com.tw

**UAE** **WAECO Middle East FZCO**  
 R/A 8, SD 6  
 Jebel Ali, Dubai  
 ☎ +971 4 8833858  
 📠 +971 4 8833868  
 Mail: waeco@emirates.net.ae

**USA** **WAECO USA, Inc.**  
 8 Heritage Park Road  
 Clinton, CT 06413  
 ☎ +1 860 6644911  
 📠 +1 860 6644912  
 Mail: customercare@waecousa.com