



FIAMMA®

First Choice

65 FIAMMA
1945-2010

Superior Quality Products
for Motorhomes,
Luxury Caravans and
Camper Vans

fiamma.com

Fiammastor



Carry-Bike



Quality Motorhome Products



**FIAMMA: professional service
for your freedom**



Free as the Wind®



You are in good hands

Join FIAMMA and new world will be ready for you: bikes carriers, awnings, first-class accessories, everything gets simpler and more efficient with Fiamma. Would you like to know it?

It's simple: applying to an authorized dealer you will have a practical demonstration! Fiamma is the leading company for Motorhome fans and for the outdoor lifestyle. You can trust the quality and depend on service that Fiamma has established over the last 65 years, producing outstanding precision engineered RV accessories.

The Fiamma trademark is a guarantee for quality and Fiamma is ISO 9001 certified. You are in good hands because Fiamma offers you only reliable and safe products, that give you many years of dependability.

This is why Fiamma is the leading brand recommended by industry experts. Choose Fiamma products with confidence and your outdoor lifestyle will be more comfortable!

It's very important for us to receive your suggestions in order to help us to enlarge and develop our range of products. With an only aim: improving life of all motorhome fans!

The scent of grass and light of the stars, the sound of the sea and the crickets chirping: living in the open air and changing the daily routine are nice ways to spend your holidays.

With Fiamma you can!

Our professionalism helps make your outdoor life more comfortable.

The red symbol of the brand is as dynamic, alive and active as our loyal customers. They will never be disappointed because Fiamma has everything that a motorhome fan needs. You can realize how rich is the range of Fiamma products, just having a quick look at our catalogue.

Find out the secrets of Fiamma universe to live your holiday in the best way possible.

Enjoy your holidays!



Since 1996



Since 2002



Production monitored and safety tested



The team for technical assistance grants you a prompt delivery of more than 10,000 spare parts.



EXPRESS SERVICE PARTS

The Fiamma Stand is the meeting point for many motorhome fans in 35 international exhibitions of the RV industry. You can find the original Fiamma products at a selected network of Motorhome specialists with extensive experience in the sector. They offer a perfect installation.



COME AND VISIT US

Spare parts for Fiammastor, Carry-Bike and Quality Motorhome Products are available on demand. At www.fiamma.com you can find all the spare parts.



RELIABLE QUALITY

On the Fiamma web site you can find all the updates and information on our products. In the section "points of sale" you can also find the list of the best Fiamma dealers.



WWW.FIAMMA.COM



The complete range of the original awnings and enclosures for Motorhome, Caravan and SUV's



FIAMMA F45

FIAMMA F45

WALL AWNINGS

Original automatic case awning with sturdy articulated arms for camper and caravan. Elegant design. Ideal for installation on the wall.

Pages 12-20



FIAMMA F65B

FIAMMA F65

ROOF AWNINGS

Original automatic case awnings with sturdy articulated arms for camper and caravan. Ideal for mounting on the roof.

Pages 22-26



FIAMMA ZIP

CARAVANS [CORE] ZIP

CARAVANS [CORE] ZIP Light

AWNINGS AND ENCLOSURES

Double the space of your vehicle. Standard delivered with Sides and front panel. Patented system which joins the side panels to the fabric of the awning with special sturdy zips.

Pages 28-29 / 38-41



PRIVACY ROOM

PRIVACY ROOM Light

PRIVACY ROOM [OS] Light

PRIVACY

The best range of enclosures, side and front panels of different heights.

Pages 30-33 / 42-43



BLOCKER

BLOCKER

Big range of Side and front Blocker that can be joined together. Light and inexpensive. Translucent light Sun-View.

Pages 34-35 / 46-47



CARAVANS [CORE] FIAMMA

FIAMMA F35 PRO

AWNINGS FOR CARAVAN AND MINIVAN

Original awnings with manual rolling up and a strong aluminium roller tube which contains the rafters and legs for an easy and quick installation. Light and solid.

Pages 36-37 / 44-45



Accessories

Many accessories in order to personalize and complete your holiday. Easy and quick system to motorize 12Vdc your awning. New 2010: LED range for awnings.

Pages 49-57



The complete range of bike carriers and quality products for Motorhome, Caravan and SUV's



CARRY-BIKE®

The complete range of bike carriers for motorhome, luxury caravan and SUV's

pages 59-85



CARRY-MOTO® GARAGE

A range of carry moto and multi use extractable shelves for motorhome storage compartments.

pages 86-93



ULTRA-BOX®

The most spacious rear boxes and roof boxes.

pages 94-97



DELUXE FIXING-BAR®

High quality aluminium ladders and luggage carrier systems.

pages 98-101



SAFE DOOR® SECURITY

Safety block and security handles for motorhome and caravan.

pages 102-107



TURBO-VENT® VENT

The complete range of rooflights and turbo-vents.

pages 109-115



BI-POT®

The sturdy portable toilets with scratch-resistant tanks.

pages 116-119



AQUA® 8 TANKS

The self-priming pumps with incorporated filter and a complete range of fresh water and waste tanks

pages 120-123



LEVEL UP LEVEL SYSTEM®

The best solution for levelling your motorhome.

pages 124-126







Trust Fiamma, we invented the case awning for motorhomes and caravans.

With the Fiammastor® awning you can double the living space of your vehicle in less than one minute.

It offers a cool and covered open space outside and lowers temperature inside.

The Fiammastor® allows you to keep windows and doors open for air circulation during rainy weather.

Wet gear can be taken off outside in order to avoid bringing dirt inside the vehicle. Fiamma awnings are the most elegant, userfriendly and trustworthy awnings on the market today.

**The First Choice for your Motorhome, Caravan and Minivan.
The only awning that can be enhanced
by a complete range of front and side panels.**



WINCH AWNINGS

MANUAL AWNINGS

| | F45 Ti | F45 Ti L | F65 S | F65 | Fiamma ZIP | Caravanstore ZIP | Caravanstore ZIP Light | Caravanstore | F35 PRO |
|----------------------|--------|----------|-------|-----|------------|------------------|------------------------|--------------|---------|
| Max. length cm. | 456 | 556 | 400 | 490 | 456 | 440 | 410 | 440 | 430 |
| Max. extension cm | 250 | 250 | 250 | 250 | 250 | 225 | 225 | 225 | 225 |
| Min weight kg | 10 | 37 | 23 | 36 | 42 | 24 | 17 | 5,4 | 6 |
| Max weight kg | 29 | 46 | 32 | 44 | 62 | 34,5 | 23 | 10,7 | 17 |
| Wall installation | ● | ● | | | ● | ● | ● | ● | ● |
| Roof installation | | | ● | ● | | | | | |
| Installation kit | ● | ● | | | ● | | | | |
| Opening winch | ● | ● | ● | ● | ● | | | | |
| Joint arms | ● | ● | ● | ● | ● | | | | |
| Aluminium end caps | | ● | ● | | | | | | |
| Manual opening | | | | | | ● | ● | ● | ● |
| Support legs | ● | ● | ● | ● | ● | ● | | ● | ● |
| Wall fixing kit | ● | ● | ● | ● | ● | ● | | ● | ● |
| Dual Shock-Absorber® | ● | | ● | ● | ● | | | | |
| Presto Fix® | ● | ● | | ● | | | | | |
| Syncro® | ● | ● | ● | ● | ● | | | | |
| Dual Security® | ● | ● | | | ● | | | | |
| Monoblok | | ● | | | | | | | |

ACCESSORIES

| | | | | | | | | | |
|------------------------------|---|---|---|---|---|---|---|---|---|
| Motorising (+ 13 cm) | ● | ● | | ● | | | | | |
| Integrated motorising (+0cm) | | ● | ● | | | | | | |
| Privacy® Room | ● | ● | | ● | ● | ● | ● | ● | |
| Side W | ● | ● | ● | ● | | | | ● | ● |
| Side W Pro | ● | ● | ● | ● | | | | ● | ● |
| Blocker Pro | ● | ● | | ● | | | | ● | ● |

● Standard ● Optional

The exclusive features from Fiamma
The Fiammastor® is built using the latest technology,
in our factory, certified ISO 9001, in Cardano al Campo, Italy



ITALIAN DESIGN



UPGRADING

ITALIAN DESIGN

A team of expert designers and engineers studies and develops the whole range of Fiamma products taking care not only in the design of the new models of motorhomes and caravans, but also of the quality and the technical innovation of the products.

UPGRADING

During the planning phase, Fiamma team concentrates its attention on the product's adaptability to the accessories of the range, i.e. adapters and Privacy.



AUTO-LOCK®



DUAL SECURITY

AUTO-LOCK®

Fiamma manufactures the only awning with a silent opening thanks to the TÜV certified Auto-Lock® self-locking winch safety system, with exclusive **Syncro** long life Aluminium mechanical parts: it is a generation ahead than noisy hook mechanisms. The system facilitates easy and quick opening of the awning.

DUAL SECURITY

The security of Fiammastor® is also guaranteed by the Dual Security® system. It is a special device to indicate the correct closure of the front bar to the case by two small plastic flags inside the side end caps.



SECURE LOCK



SUPPORT ARMS

SECURE LOCK

The telescopic system of the legs with manual locking allows the regulation of the lead bar height. In this way, accidental collapses are avoided.

SUPPORT ARMS

Double possibility of fixing the legs for a better resistance to the wind.
 On the wall: the legs are fixed with Wall Bracket Kit, standard delivered.
 To the ground: the legs can be fixed with proper pegs standard delivered.

QUALITY



EXTRA-STRONG ARM



DUAL SHOCK-ABSORBER®

EXTRA-STRONG ARM

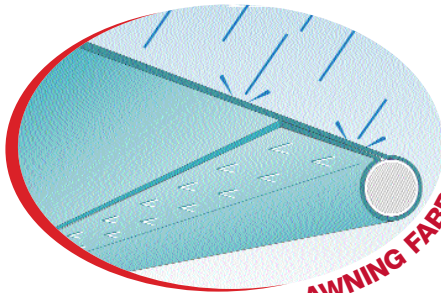
Sturdy reinforced articulated arms with **twin cable, diam. 3,5 mm.** They overcome more than **10.000 cycles of opening and closure.** They can maintain a fabric tension up to **32Kg.** The fixing of the arms with double bolts system, certified **Double Block®**, grants more stability and easy regulation.

DUAL SHOCK-ABSORBER®

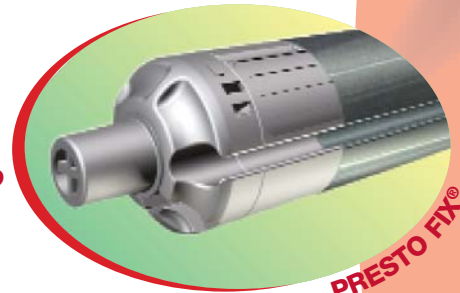
Only Fiammastor® has the Dual Shock-Absorber®

The Dual Shock-Absorber® protects both the awning and the vehicle during bad weather.

INNOVATION



AWNING FABRIC



PRESTO FIX®

TOP-QUALITY FULL COLOUR AWNING FABRIC

All Fiammastor fabrics, printed for the whole extension in 5 colours, are sealed for a high resistance to water: **there are no seams on the fabric which might weaken the fabric** and allow the water to pass through. Each canopy is carefully checked during the production stage.

PRESTO FIX®

The Fiammastor® is the only awning with a new adjusting system that enables you to gauge the closing of the front bar if, over a period of time, one side should stop closing perfectly.

Accessories



PRIVACY® ROOM



LED

PRIVACY® ROOM

At Fiamma you can find the most complete range of Privacy, side and front panels of different heights, adjustable to your awning. Large range of light and inexpensive front Blockers and Side panels that can be joined together. And also translucent light Sun-view.

LED

New from Fiamma! A complete range of LED lamps studied for your awning. Fiamma Led grants an intense lighting without heating; low consumption.

FIAMMA The right awning for any vehicle !

Fiammastor



FIAMMA F45 POLAR WHITE



FIAMMA F45 TITANIUM



FIAMMA F65S POLAR WHITE



FIAMMA F65S TITANIUM



FIAMMA F65S DEEP BLACK

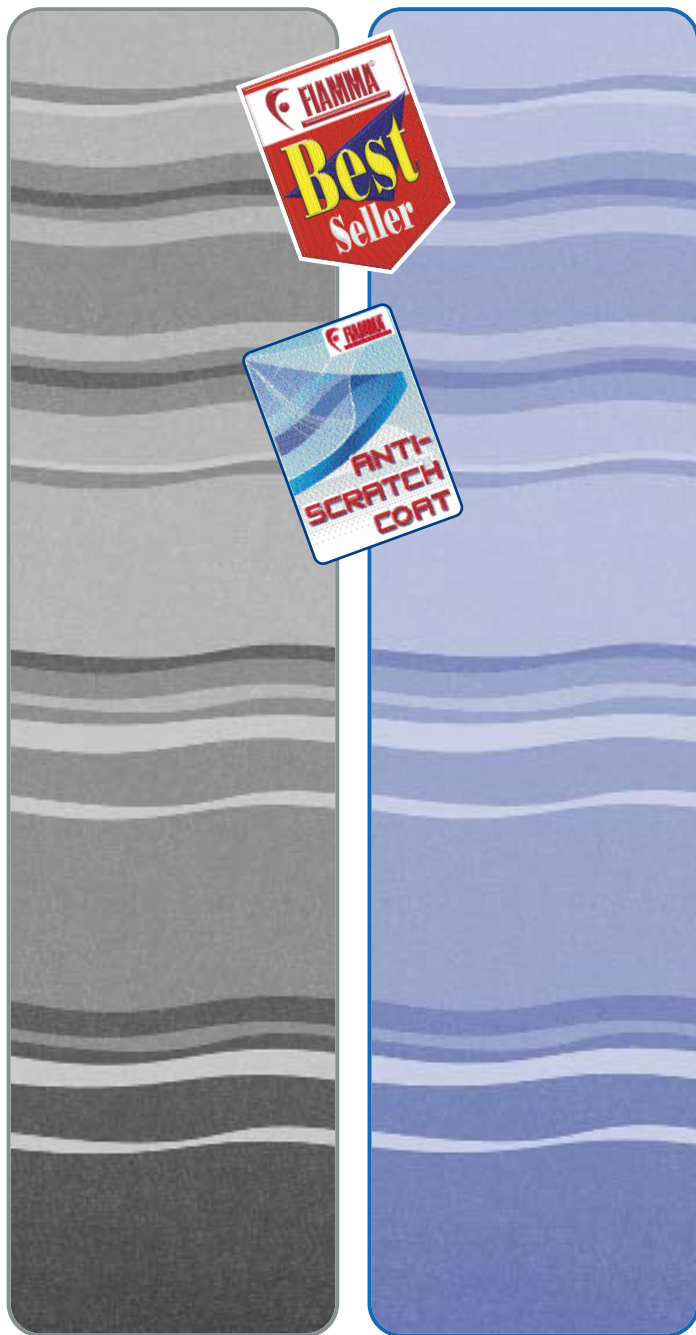
Fiammastor are available in different finishes and colours to match with the design of your motorhome. Some versions and also other personalisations are made on special request, to know the exact availability please contact your dealer.

| FIAMMA | F45 Ti | F45 Ti L | F65 S | F65 | F35 PRO | ZIP |
|---------------|--------|----------|-------|-----|---------|-----|
| Polar White | ● | ● | ● | ● | | ● |
| Titanium | ● | ● | ● | ● | ● | |
| Deep Black | | | ● | | | |

● Standard ● Optional



Exclusive wave multi-colour anti-scratch canopies printed for the whole extension in 5 colours, without seams and high resistance to UV rays



All the Fiammastor canopies are sealed for a perfect resistance to water.



All canopies are printed on both sides. The outer layer is hyperprotected to allow complete and easy deep cleaning.

The classic multicoloured canopies without seams

The Fiammastor® canopy fabric guarantees higher resistance to UV rays. It does not fade and is sealed. The absence of seams allows high resistance to water and tearing.

It is flame-retardant, can be rewound when damp, is light-resistant, rot-proof, waterproof and washable.

European Design Model 762026



DELUXE GREY

BLUE OCEAN

SAHARA

EVERGREEN

BORDEAUX

| | Deluxe Grey T | Blue Ocean N | Sahara S | Evergreen E | Bordeaux D |
|------------------------|------------------|-----------------|-------------|----------------|---------------|
| F45 Ti - F45 Ti L | ● | ● | ● | ● | ● |
| F65 S | ● | ● | | | |
| F65 | ● | ● | | | |
| ZIP | ● | ● | | | |
| CARAVANSTORE | ● | ● | | | |
| CARAVANSTORE ZIP | ● | ● | | | |
| CARAVANSTORE ZIP Light | ● | | | | |
| F35 PRO | ● | ● | | | |



Fast, elegant, user-friendly and silent during opening, closing and travelling.

Ideal to be installed on the wall of all Motorhomes models.

The awning with a big range of accessories.



Fiamma F45 Ti is essential for a vacation on the move

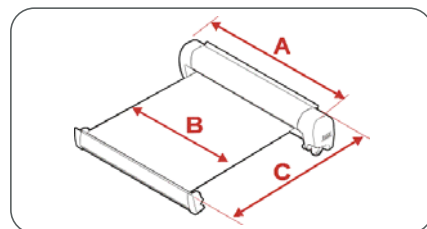
German Utility Models: 20 2004 010 437.7 - 20 2004 010 436.9 - 20 2006 00326.3 - 20 2008 002026.3
European Patents: 0 254 757 - 0 534 390 - 0 534 391 - U.S.A Patents: 4,733,683 - 5,242,003 - 5,285,837
German Patent: 4 132 362 - Italian Patents: 0220102 - 00220013 - **Several other patents pending**



More shade with the F45 Ti



Elegant aluminium case available in two colours



| POLAR WHITE | TITANIUM | Description | Awning length A | Canopy length B | Extension C | Shade surface | Net weight |
|-------------|-------------|---------------|-----------------|-----------------|---------------|---------------------|--------------|
| 05680L01(X) | 05520L01(X) | F45 Ti 150 * | 145 cm | 123 cm | 104 cm | 1,3 m ² | 10 kg |
| 05680M01(X) | 05520M01(X) | F45 Ti 190 * | 190 cm | 169 cm | 104 cm | 1,7 m ² | 12 kg |
| | 05520P01(X) | F45 Ti 220 | 218 cm | 199 cm | 150 cm | 3,0 m ² | 14 kg |
| 05680-01(X) | 05520-01(X) | F45 Ti 250 | 254 cm | 235 cm | 200 cm | 4,7 m ² | 18 kg |
| 05680E01(X) | | F45 Ti 280 | 279 cm | 260 cm | 225 cm | 5,8 m ² | 20 kg |
| 05680A01(X) | 05520A01(X) | F45 Ti 300 | 304 cm | 285 cm | 250 cm | 7,1 m ² | 22 kg |
| 05680B01(X) | 05520B01(X) | F45 Ti 350 | 354 cm | 335 cm | 250 cm | 8,3 m ² | 23 kg |
| 05680C01(X) | 05520C01(X) | F45 Ti 400 ** | 404 cm | 385 cm | 250 cm | 9,6 m ² | 26 kg |
| 05680G01(X) | 05520G01(X) | F45 Ti 450 ** | 454 cm | 435 cm | 250 cm | 10,9 m ² | 29 kg |

* Awning for the main door, it does not require the vertical support legs. ** 1 Tension Rafter made of anodized aluminium included. Specify the fabric colour you want in your order by replacing (X) with: **N=Blue Ocean, T=Deluxe Grey, S=Sahara, E=Evergreen and D=Bordeaux**. Winch installed on the left side available on request.

The userfriendly awning

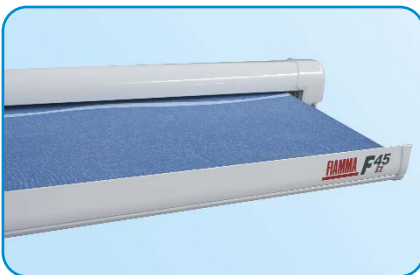
Improve the quality of your vacations with a Fiamma F45 Ti, easy to use for the whole family. Constantly improved, high quality, solid and resistant.



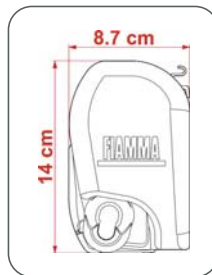
Life is more fun with a Fiamma awning



F45Ti: maximum freedom on your holidays



Silent opening and closing



F45Ti 150 Door awning

| | |
|-------------------------|---------------------------------------------------------------------------------------------------------------------------------------------------------------------------------------------------------------------------------------------------------------------------------------------------------------------------------------------------------------------------------------------|
| Type of awning: | 100% automatic. Secure inside its aluminium case, available in Polar White or Titanium finish. Wall installation. |
| Major benefits | Excellent design, very sturdy, easy and safe to operate. Silent when opening/closing and while travelling. Easy-to-hook winch loop. Maximum shadow surface. Regulation system for the closure of the front bar, security mechanism self locking Auto Lock, Dual security system to indicate the correct closure of the front bar. |
| Application: | Motorhomes and autocaravans. |
| Structure: | In extra strong Alu-Lite. Superlight, external automotive Polar White or Titanium coating finish. |
| Fabric: | Cool and cheerful vinyl canopy. UV Resistant, waterproof and washable, with bright colours on both sides. Colours: Blue Ocean, Deluxe Grey, Sahara, Evergreen and Bordeaux. |
| Extension: | 250 cm (104 cm for the F45 Ti 150 and 190 - 150 cm for the F45 Ti 220 - 200cm for the F45 Ti 250 - 225cm for F45 Ti 280). |
| Lengths: | 150 cm, 190 cm, 220 cm, 250 cm, 280 cm, 300 cm, 350 cm, 400 cm, 450 cm. |
| Standard Equip.: | Presto Fix® - New reinforced arms with twin cable - Extra Strong Arms from F45i 300 - Dual Shock-Absorber® - Auto-Lock® Dual Security® - Folding crank handle - AS Brackets - Hooks to secure legs to the ground - Wall brackets for leg support - Tension Rafter from 400cm (page 51). |
| Optional: | Screen-room Privacy® Room (pages 30-31) - Blocker (pages 34-35) - Rain-Guard (page 56) - Rafter Pro (page 51) - Motor Kit (page 21) - Fastening brackets (pages 17-20) - Crank Handle (pag.56). Tie-Down (page 55) and Spoiler (page 56), Kit awning Hangers and Fiammastor Plate (page 54), Patio-Mat (page 49) - Led (pages 52-53) Winch installed on the left side available on request. |



Fiamma F45 Ti L - perfect for large motorhomes

Perfect for large motorhomes thanks to the strong box and Extra-Large roller tube. It is user-friendly and silent both when opening-closing the awning and while travelling.



F45 Ti L: essential for a vacation on the move

German Utility Models: 20 2004 010 437.7 - 20 2004 010 436.9 - 20 2006 00326.3 - 20 2008 002026.3
European Patent 0 254 757 - European Patent 0 534 390 - European Patent 0 534 391
U.S.A Patent. 4,733,683 - U.S.A.Patent 5,242,003 U.S.A.Patent 5,285,837 - German Patent 4 132 362
Italian Patent 0220102 - Italian Patent 00220013 - **Several other patents pending.**

Elegant aluminium case available in two colours



The fixing of the arms with double bolts system, certified Double Block®, grants more stability and easy regulation. Now complete with elegant covers.

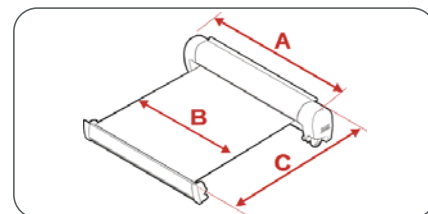


Polar White

100% ALUMINIUM



Titanium



| POLAR WHITE | TITANIUM | Description | Awning length A | Canopy length B | Extension C | Shade surface | Net weight |
|-------------|-------------|----------------|-----------------|-----------------|---------------|---------------------|--------------|
| 05710-01(X) | 05530-01(X) | F45 Ti L 450* | 454 cm | 435 cm | 250 cm | 10.9 m ² | 37 kg |
| 05710A01(X) | 05530A01(X) | F45 Ti L 500* | 504 cm | 485 cm | 250 cm | 12 m ² | 41 kg |
| 05710B01(X) | 05530B01(X) | F45 Ti L 550** | 554 cm | 535 cm | 250 cm | 13.3 m ² | 46 kg |

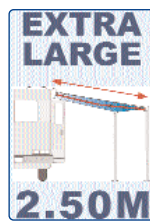
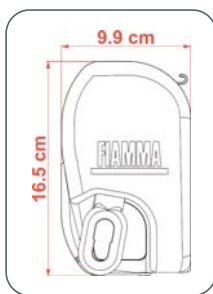
*1 Tension Rafter L, made of anodized aluminium included **2 Tension Rafter L.
Specify the fabric colour you want in your order by replacing (X) with:
N=Blue Ocean, T=Deluxe Grey, S=Sahara, E=Evergreen and D=Bordeaux.



F45 Ti L - a big shaded area for your family.



*Improved knuckle,
100% aluminium*



External coating finish, easy to clean

| | |
|-------------------------|-------------------------------------------------------------------------------------------------------------------------------------------------------------------------------------------------------------------------------------------------------------------------------------------------------------------------------------------------|
| Type of awning: | 100% automatic. Secure inside its aluminium case, available in Polar White or Titanium finish. Wall installation. |
| Major benefits: | Excellent design, very sturdy, easy to operate and safe. Silent when opening/closing and when travelling. Easy-to-hook winch loop. Maximum shadow surface. Easy to clean. Regulation system for the closure of the front bar, security mechanism self locking Auto Lock, Dual security system to indicate the correct closure of the front bar. |
| Application: | Motorhomes and autocaravans. |
| Structure: | In extra strong Alu-Lite. Superlight, external automotive Polar White or Titanium coating finish. |
| Fabric: | Cool and cheerful vinyl canopy. UV Resistant, waterproof and washable, with bright colours on both sides. Colours: Blue Ocean, Deluxe Grey, Sahara, Evergreen and Bordeaux. |
| Extension: | 250 cm. |
| Lengths: | 450 cm, 500 cm, 550 cm. |
| Standard equip.: | Presto Fix® - Reinforced arms with twin cable - Extra Strong Arms - Dual Shock-Absorber® - Auto-Lock® - Dual Security® - Telescopic handle - AS Brackets and internal M bracket covers - Hooks to secure legs to the ground Wall brackets for supporting legs - Tension Rafter L (2 pcs. with F45 Ti L 550). |
| Optional: | Screen-Room Privacy® Room (pages 30-31) - Blocker (pages 34-35) - Rain-Guard (page 56) - Rafter Pro (page 51) - Motor Kit (page 21) - Fastening brackets (pages 17-20) - Crank Handles (page 56) - Tie-Down (page 55) and Spoiler (page 56) - Kit awning Hangers and Fiammastor Plate (page 54) - Patio-Mat (page 49) - Led (page 52-53). |

F45 Ti TITANIUM VW T5

The F45 Ti Titanium VW T5 is the new awning specially studied for VW T5 Minivan.

Standard delivered with the installation Adapters.

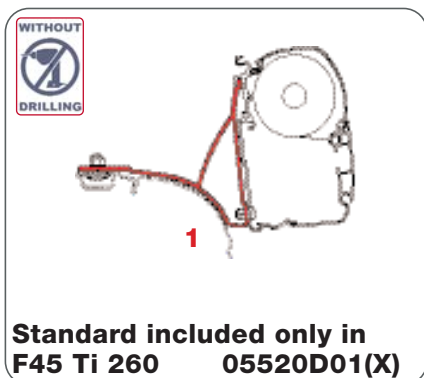


F45 Ti Titanium VW T5 Multivan

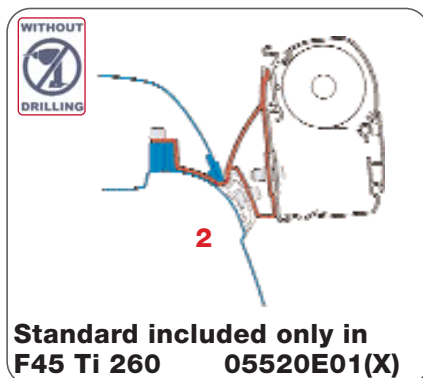


Silent and compact while travelling

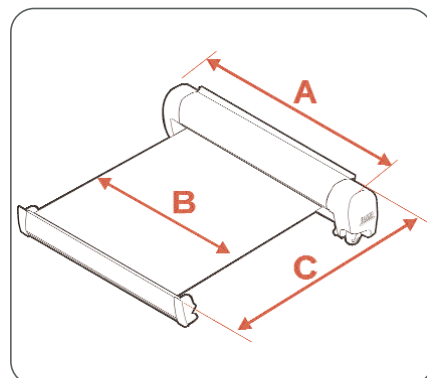
German Utility Models: 20 2004 010 437.7 - 20 2004 010 436.9
 European Patents: 0 254 757 - 0 534 390 - 0 534 391 - U.S.A Patents: 4,733,683 - 5,242,003 - 5,285,837
 German Patent: 4 132 362 - Italian Patents: 0220102 - 00220013 - **Several other patents pending**



*KIT VW T5 - Multivan Comfortline -
Transporter (*)*



KIT VW T5 - California



**Available on request the F45 Ti 260 UK version (Item No. 05521D01N/T)
for right side drivers' vehicles.**

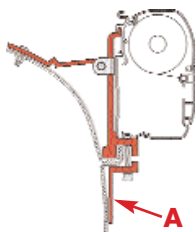
| TITANIUM | Description | Awning length A | Canopy length B | Extension C | Shade surface | Net weight |
|-------------|------------------------------------------------------|-----------------|-----------------|-------------|---------------------|------------|
| 05520D01(X) | F45 Ti TITANIUM 260 VW T5 Multivan - Transporter (*) | 263 cm | 245 cm | 200 cm | 4.90 m ² | 18.5 kg |
| 05520E01(X) | F45 Ti TITANIUM 260 VW T5 California | 263 cm | 245 cm | 200 cm | 4.90 m ² | 18.5 kg |

The F45 Ti Titanium 260 VW T5 Multivan, Transporter and California are standard delivered with installation kit, consisting of 2 brackets. No drilling of the vehicle required. The awning is installed onto the roof rail which is standard on the Multivan but is optional on the Transporter (*): contact the VW dealer to get the rail for Transporter.

Privacy Room enclosure for awning F45 Ti 260 VW T5 (page 31).

Specify the fabric colour you want in your order by replacing (X) with: **N=Blue Ocean and T=Deluxe Grey**

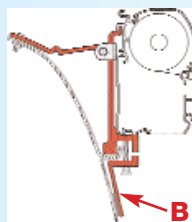
| | | | |
|--|-----------------------------------------------------------------------------------------------------------------------------------------------------------------------------------------------------------------------------------|-----------------------------------------------------------------------------------------------------------------------------------------------------------------------------------------|---------------------------------------------------------------------------------------------------------------------------------------------------|
| | <p>KIT AS 120</p> <p>Standard for awnings from 250 to 400cm 2 pcs. 12cm brackets 1 pc. 8cm bracket</p> <p>98655-391</p> | <p>KIT AS 400</p> <p>Standard for awnings from 450 to 500cm 2 pcs. 40cm brackets 1 pc. 12cm bracket</p> <p>98655-390</p> | <p>KIT AS 400 F45 Ti L</p> <p>Standard for awnings 550cm long 4 pcs. 40cm brackets</p> <p>98655-393</p> |
| | <p>KIT S 120 - optional</p> <p>1 pc. 12cm bracket</p> <p>98655-392</p> | | <p>KIT S 400 - optional</p> <p>1 pc. 40cm bracket</p> <p>98655-381</p> |
| | <p>RAIL</p> <p>300 cm 02361-01A</p> <p>400 cm 02361-01C</p> | | <p>KIT VW T5 Transporter Multivan - "Trendline"</p> <p>2 pcs. 8cm brackets</p> <p>KIT 98655-293</p> <p></p> |
| | <p>KIT VW T4 & VW T4 Lift Roof</p> <p>2 pcs. 14cm brackets</p> <p>KIT 98655-292</p> | | <p>KIT VW T3</p> <p>After 1980</p> <p>2 pcs. 8cm brackets</p> <p>KIT 98655-035</p> <p></p> |
| | <p>KIT MULTI</p> <p>German Utility Model: 20 2004 018 159.2</p> <p>The only modular bracket fitted to compensate the curved roof of the minivan.</p> <p>Renault Master 98 - Fiat Ducato Citroën Jumper - Peugeot Boxer</p> | | <p>1 pc. 8cm bracket</p> <p>KIT 98655-011</p> |
| | <p>KIT AUTO ADAPTER</p> <p>2 pcs. 8cm brackets</p> <p>KIT 98655-310</p> | | <p>KIT BRANDRUP / T4</p> <p>2 pcs. 8cm brackets</p> <p>KIT 98655-470</p> <p></p> |
| | <p>KIT WALL ADAPTER</p> <p>3 pcs. 8cm brackets</p> <p>KIT 98655-318</p> | | <p>KIT ROOF ADAPTER</p> <p>3 pcs. 8cm brackets</p> <p>KIT 98655-316</p> |



-Peugeot J5
-Citroën C25
-Fiat Ducato
before 1994

KIT VAN

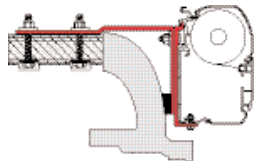
Both A and B brackets
standard delivered
with the kit.



-Ford Transit
-Mercedes
Sprinter
208 D KB

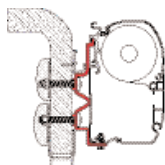
2 pcs. 8cm brackets

KIT
98655-017

**KIT MERCEDES VITO**

2 pcs. 14cm brackets

KIT
98655-284

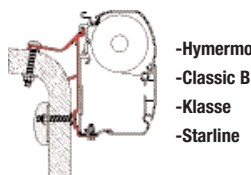


- Hymercamp
Swing
- Starline
- Hobby-Van
- Caravan
Hobby 09

HYMERCAMP

3 pcs. 12 cm brackets
98655-278

1x
300 cm - 98655-277
350 cm - 98655-276
400 cm - 98655-274
450 cm - 98655-275
500 cm - 98655-273

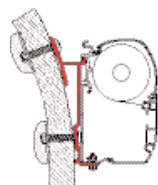


-Hymermobile B
-Classic B
-Klasse
-Starline

HYMER VAN/B2

2 pcs. 8cm brackets +
2 pcs. 35cm brackets

98655-243
1x
350 cm - 98655-244
400 cm - 98655-245
450 cm - 98655-246

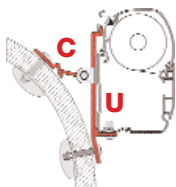


-Hymermobile S
-Klasse 650
740 - 820
- Esterel after
2007

HYMER S-E KLASSE

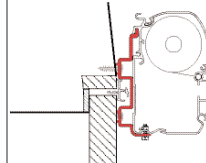
2 pcs. 8cm + 2 pcs. 35cm brackets
98655-247

1x
350 cm - 98655-248
400 cm - 98655-249
450 cm - 98655-250
500 cm - 98655-251
550 cm - 98655-253

**KIT HYMER S**

3 pcs. 8cm brackets
02097-01- (1 pc.)

3 pcs. 8cm brackets
02437A01- (1 pc.)

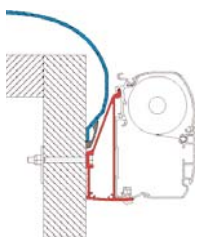


- Caravan
Hobby 09

HYMER EXSIS

1 pc. 300cm bracket

98655-688



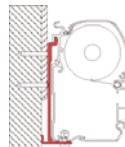
NEW

ADAPTER ARCA

1x
400 cm
98655-852

- H699GLG
- P740GLG

1x
450 cm
98655-853

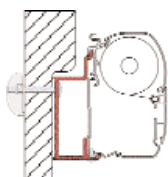


NEW

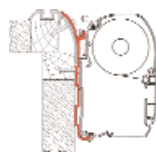
KIT FLEURETTE

1 pc. 8cm bracket
2 pcs. 12cm brackets

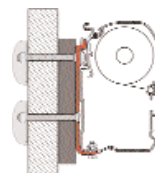
KIT
98655-082

**EURA MOBIL
KARMANN**

350 cm -
98655-764
400 cm -
98655-765
450 cm -
98655-766

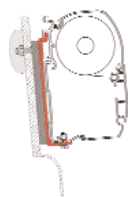
**EURA MOBIL**

350 cm -
98655-701
400 cm -
98655-702
450 cm -
98655-703

**KIT DETHLEFFS
GLOBEBUS**

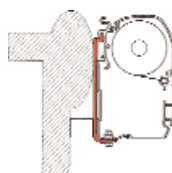
3 pcs. 12cm brackets

KIT
98655-730

**KIT HIGH ROOF
ADAPTER WESTFALIA**

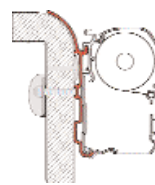
2 pcs. 12cm brackets

KIT
98655-317

**KNAUS C-LINER**

1 pc. 300cm bracket

98655-754

**KIT BÜRSTNER**

2 pcs. 12cm brackets
1 pc. 8cm bracket

KIT
98655-749

| | | | |
|-----------------------------------------------------------------------------------------------------------------|-------------------------------------------------------------------------------------------------------------------------------------------------------------------------------------------------|---------------------------------------------------------|-----------------------------------------------------------------------------------------------------------------------------------------------------------------------|
| <p>Before March 2006</p> | <p>KIT DUCATO - JUMPER - BOXER (high roof)</p> <p>2 pcs. 8cm brackets</p> <p>KIT 98655-680</p> | | <p>KIT FORD TRANSIT HIGH ROOF SPRINTER / VW CRAFTER</p> <p>2 pcs. 40cm brackets</p> <p>KIT 98655-741</p> |
| <p>- Iveco 35C13 City (Fiat New Daily) - Renault Master (after March 1998) - For Ducato: after 1994</p> | <p>KIT DUCATO - MASTER</p> <p>2 pcs. 14cm brackets</p> <p>KIT 98655-286</p> | <p>After 06-2006</p> | <p>KIT FIAT DUCATO 2006 JUMPER - BOXER (high roof)</p> <p>2 pcs. 8cm brackets</p> <p>KIT 98655-755</p> |
| | <p>KIT DUCATO WITH ROOF RACK</p> <p>3 pcs. 12cm brackets</p> <p>KIT 98655-485</p> | <p>NEW</p> | <p>KIT TRAFIC / VIVARO</p> <p>Short wheel base for F45Ti 220 Long wheel base for F45Ti 300</p> <p>2 pcs. 16cm brackets</p> <p>KIT 98655-854</p> |
| <p>- Fiat 708F - 710F 740F - Fiat Garage 760F - 770F 772F - Mercedes 749M-779M</p> | <p>ADAPTER RAPIDO</p> <p>1 pc. 350cm bracket 98655-398</p> <p>1 pc. 400cm bracket 98655-399</p> | <p>- Fiat 860F - Fiat Garage 860F - 870F - 890F</p> | <p>KIT RAPIDO 7-8</p> <p>2 pcs. 8cm brackets 1 pc. 100cm bracket</p> <p>KIT 98655-222</p> |
| <p>- Adria Coral < 4,00 m</p> | <p>KIT LAIKA ECOVIP BÜRSTNER-HOBBY</p> <p>3 pcs. 15cm brackets 1 pc. 12cm bracket</p> <p>KIT 98655-357</p> <p>1x Adapter Laika Ecovip 1 (390 cm) 98655-469</p> | | <p>KIT LAIKA X</p> <p>3 pcs. 15cm brackets</p> <p>KIT 98655-761</p> |
| | <p>KIT LAIKA ECOVIP 07</p> <p>3 pcs. 15cm brackets For awnings from 400cm on</p> <p>KIT 98655-467</p> | | <p>KIT MOBILVETTA EUROYACHT</p> <p>3 pcs. 12cm brackets</p> <p>KIT 98655-683</p> |
| | <p>KIT MOBILVETTA ICARO</p> <p>3 pcs. 12cm brackets</p> <p>KIT 98655-671</p> | | <p>KIT MOBILVETTA NAZCA</p> <p>3 pcs. 12cm brackets</p> <p>KIT 98655-713</p> |
| | | | <p>KIT CARAVAN</p> <p>3 pcs. 13cm brackets</p> <p>KIT 98655-252</p> |

| | | | | |
|--------------------------|------------------------------------------------------------------------------------------------|--|---------------------------------------------------------------------------------------------------------------------------|---------------------------------------------------------------------------------------------------------|
| <p>- Opel Movano</p> | <p>KIT RENAULT - MASTER 98</p> <p>3 pcs. 8cm brackets KIT 98655-681</p> | | <p>KIT PILOTE EXPLORATEUR</p> <p>3 pcs. 15cm brackets KIT 98655-729</p> | <p>Eden Allegro</p> <p>2 pcs. 8cm brackets 1 pc. 40cm brackets KIT 98655-258</p> |
| | <p>KIT EDEN ALLEGRO (30mm)</p> <p>3 pcs. 12cm brackets KIT 98655-762</p> | | <p>KIT VOYAGEUR</p> <p>KIT 3 pcs. 8cm brackets 02097-01- 3 pcs. 8cm brackets 02437A01-</p> | <p>KIT ERIBA TOURING</p> <p>3 pcs. 8cm brackets KIT 98655-283</p> |
| | <p>KIT FIBERGLASS ROOF</p> <p>2 pcs. 40cm brackets KIT 98655-744</p> | | <p>KIT ROOF RAIL</p> <p>1 pc. 12cm bracket KIT 98655-770</p> <p>Min. 2 Kits to install a awning</p> | |

ADAPTERS

Modular brackets
8cm. long

| | |
|--|--------------------------------------------------------------------------------------------|
| | <p>Adapter B</p> <p>02096-01-</p> |
| | <p>Adapter C</p> <p>02097-01-</p> |
| | <p>Adapter D</p> <p>8 cm 98655-021</p> <p>12 cm 98655-022</p> |
| | <p>Adapter T</p> <p>02437-01-</p> |
| | <p>Adapter U</p> <p>02437A01-</p> |



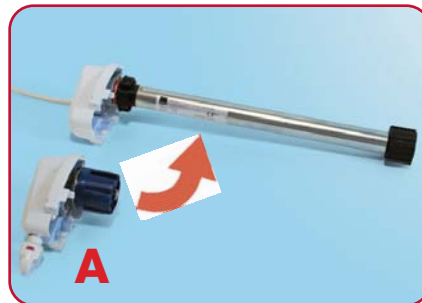
e 24

Motor Kit for Fiamma F45 Ti, F45 Ti L and F65.

The motorising also allows manual opening and closing operation of the awning



Motor Kit for Fiamma F45 Ti
Motor Kit also allows manual opening and closing operations.



Motor Kit for Fiamma F45 Ti L (09) and F65 S. The winch (A) allows manual emergency opening.

Motor Kit 12V

Motorise your awning

Exclusive: Only Fiamma offers you the Motor Kit 12Vdc accessory that can be installed on your awning.

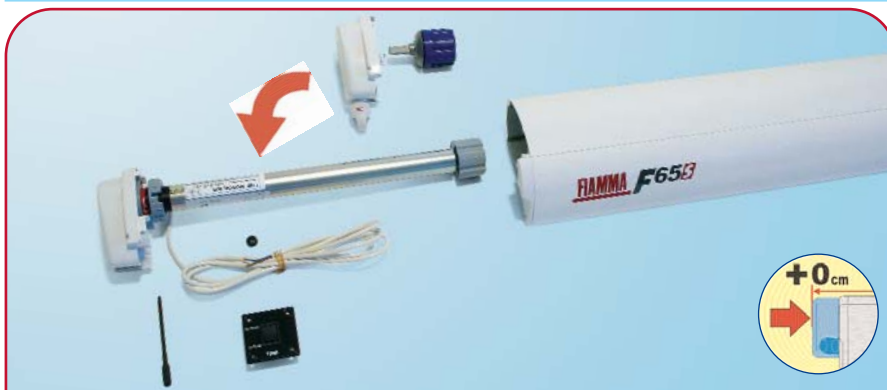
The Motor Kit also allows manual opening and closing operation.

The standard motor kit extends the total length of the awning of about 13cm; the integrated motor kit doesn't change the total length of the awning.

The motors for Awnings F45 Ti Left are only suitable for awnings with winch on the left side.



Control System for Motor Kit and integrated Motor Kit.
"Built in" control panel supplied.



Motorise your awning with integrated Motor Kit for Fiamma F45 Ti L and F65 S. The only awning with integrated motor 12 Vdc.

Integrated Motor Kit for Fiamma F45 Ti L and F65 S

New Fiamma Motor Kit 12 Vdc can be installed on your awning F45 Ti L (09) and F65 S, without extending the total length of your awning.

The tubular motor kit can be easily installed taking out the cap with the manual winch.

The winch (A) allows manual emergency opening.

Standard delivered with Control System.

| Description | F45 Ti | F45 Ti L | F45 Ti Titanium | F45 Ti L Titanium | F65 S | F65 | F65 Titanium |
|------------------------------------|-----------|-----------|-----------------|-------------------|-----------|-----------|--------------|
| Motor Kit 12Vcc (+ 13cm) | 05514-01- | 05515-01- | 05514-01T | 05515-01T | | 05725-01- | 05725-01T |
| Motor Kit Integrato (+ 0cm) | | 06094-01- | | 06094-01- | 05823-01- | | |

Available on demand Motor Kit for the previous models in the Left and Right version.



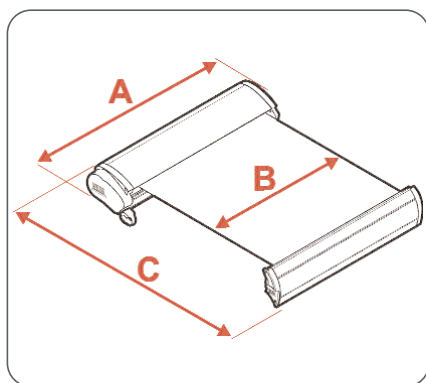
**The roof awning with compact dimensions:
very solid, but lighter**

German Utility Models: 20 2006 00326.3 - 20 2008 002026.3
European Design Patent 1063978

The innovative F65 S is the new generation FIAMMA roof awning which integrates onto the vehicle without overhanging. Thank to its compact and curved dimensions it's elegant and lighter. More shadow surface. Solid end covers in aluminium. Available in three versions: Polar white, Titanium or Deep Black coating finish. Optional: integrated motorkit 12 Vdc that can be installed inside the roller, without extending the total length of your awning.



Solid end covers in aluminium



Elegant aluminium case available in three colours



Polar White

Titanium

Deep Black

F65 S perfectly integrates with the vehicle design

| POLAR WHITE | TITANIUM | DEEP BLACK | Description | Awning length A | Canopy length B | Extension C | Shade surface | Net weight |
|-------------|-------------|-------------|-------------|-----------------|-----------------|---------------|--------------------|----------------|
| 05810-01(X) | | | F65 S 260 | 261 cm | 250 cm | 200 cm | 5 m ² | 23 kg |
| 05810A01(X) | | | F65 S 290 | 290 cm | 278 cm | 200 cm | 5.6 m ² | 25 kg |
| 05810B01(X) | 05812B01(X) | 05811B01(X) | F65 S 320 | 320 cm | 308 cm | 250 cm | 7.7 m ² | 26,5 kg |
| 05810C01(X) | 05812C01(X) | | F65 S 340 | 340 cm | 328 cm | 250 cm | 8.2 m ² | 28 kg |
| 05810D01(X) | 05812D01(X) | 05811D01(X) | F65 S 370 | 370 cm | 358 cm | 250 cm | 9 m ² | 31 kg |
| 05810E01(X) | 05812E01(X) | | F65 S 400* | 400 cm | 388 cm | 250 cm | 9.7 m ² | 32 kg |

*1 Rafter L included. Options: Rafter Pro (p. 51), Motor Kit (p. 21).

Specify the fabric colour you want in your order by replacing (X) with: **N=Blue Ocean, T=Deluxe Grey.**



Elegant, Strong, Integrated

F65 S Ducato

The F65 S is the Premium awning **ideal for installation on the Ducato Minivan**. It perfectly fits onto the vehicle without overhang.

Before 06/2006:

- F65 290 (medium wheel base 3200 mm) and
- F65 340 (long wheel base 3700 mm).

After 06/2006, high roof:

- F65 320 (short wheel base 3450 mm) and
- F65 370 (long wheel base 4035 mm).

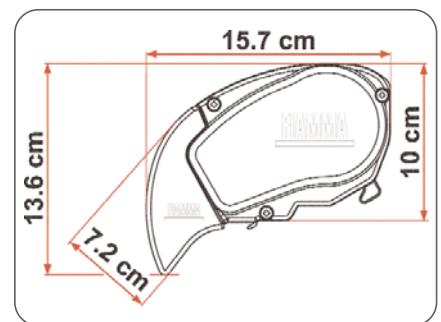
Installed with no drilling, using the optional Fiat Ducato Adapter (page 26).



F65 S with Blocker



No drilling of the vehicle required



Compact dimensions

| | |
|-------------------------|----------------------------------------------------------------------------------------------------------------------------------------------------------------------------------------------------------------------------------------------------------------------------------------------------------------------------------|
| Type of awning: | 100% automatic. Secure inside its aluminium case, Polar White, Titanium or Deep Black finish. Roof installation. |
| Major benefits: | Excellent design, very sturdy, easy to operate and safe. Silent when opening/closing and when travelling. Easy-to-hook winch loop. Maximum shadow surface. Regulation system for the closure of the front bar, security mechanism self locking Auto Lock, Dual security system to indicate the correct closure of the front bar. |
| Application: | Motorhomes, autocaravans and Camper Vans. |
| Structure: | In extra strong Alu-Lite. Superlight, external automotive Polar White coating finish or in Titanium or in Deep Black. |
| Fabric: | Cool and cheerful vinyl canopy. UV Resistant, waterproof and washable, with bright colours on both sides. Colours: Blue Ocean or Deluxe Grey. |
| Extension: | 250 cm (200 cm for the awnings F65 260 and 290). |
| Lengths: | 260 cm, 290 cm, 320 cm, 340 cm, 370 cm, 400 cm. |
| Standard equip.: | Reinforced arms with twin cable - Extra Strong Arms - Dual Shock-Absorber® - Auto-Lock® - Telescopic handle - Hooks to secure legs to the ground Wall brackets for supporting legs - Tension Rafter L from the F65 400. |
| Optional: | Privacy Room F65 for Fiat Ducato, Citroën Jumper, Peugeot Boxer and Laika Kreos (page 31) - Blocker (page 34-35) - Motor Kit (page 21) - Adapters, fastening brackets (page 26) - Crank Handle (page 56) - Patio Mat (page 49) - Led (pages 52-53). |



The best and original roof awning

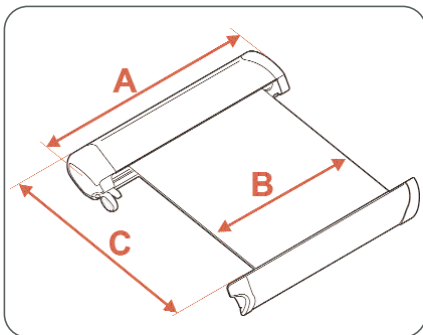
F65

The F65 is the Fiammastor® which fits onto the vehicle without overhang.
 With its modern design this awning adapts easily to the new generation of motorhomes with curved roofs.
 The mounting brackets are optional. Smooth and silent opening, finished in a bright polar white enamel paint or in Titanium.
 Colour of the canopy: Deluxe Grey or Blue Ocean.
 Extra strong structure.



The F65 is stronger because its case box is larger.

German Utility Models: 297 24 175.3 - 297 22 816.1 - 20 2006 00326.3 - 20 2008 002026.3
 German Design Patents: M98 06 241.7 - M98 06 240.9
 German Patent: 197 31 898



The perfect solution for the awning on the roof without overhang

Elegant aluminium case available in two colours



Polar White

100% ALUMINIUM



Titanium

**F65 perfectly integrates with the vehicle design.
 The increased dimensions make it stronger.**

| POLAR WHITE | TITANIUM | Description | Awning length A | Canopy length B | Extension C | Shade surface | Net weight |
|-------------|-------------|-------------|-----------------|-----------------|-------------|---------------------|------------|
| 04420C01(X) | 05529C01(X) | F65 400* | 400 cm | 380 cm | 250 cm | 9,5 m ² | 36 kg |
| 04420D01(X) | 05529D01(X) | F65 450* | 450 cm | 430 cm | 250 cm | 10,8 m ² | 40 kg |
| 04420E01(X) | 05529E01(X) | F65 490* | 490 cm | 470 cm | 250 cm | 11,8 m ² | 44 kg |

1 Rafter L included. Options: Rafter Pro (p. 51), Motor Kit (p. 21).
 Specify the fabric colour you want in your order by replacing (X) with: **N=Blue Ocean, T= Deluxe Grey.**
 Winch and motor installed on the right side on request (p.21).



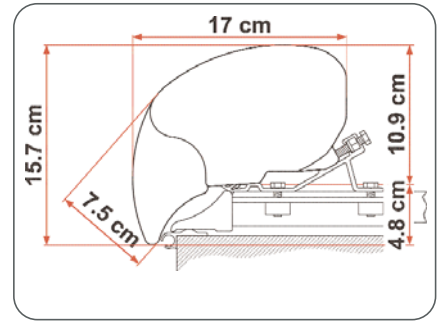
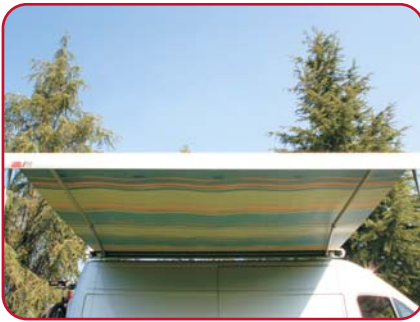
F65, the roof awning with modern and elegant design



The fixing of the arms with double bolts system, certified Double Block®, grants more stability and easy regulation.



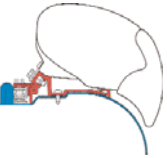
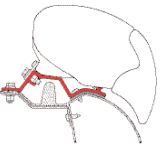
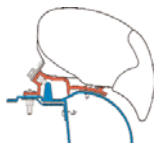
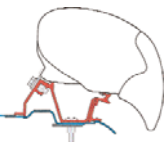
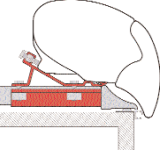

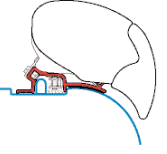
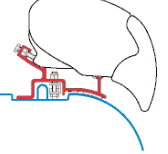

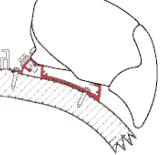

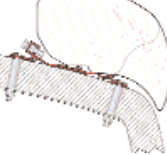
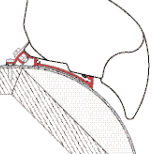
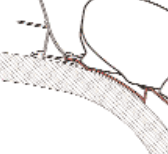
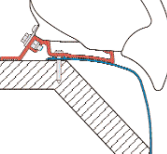

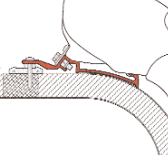
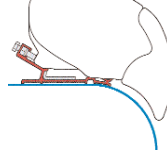
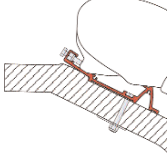
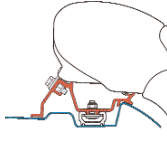
External coating finish, easy to clean.



EXTRA STRONG

| | |
|-------------------------|----------------------------------------------------------------------------------------------------------------------------------------------------------------------------------------------------------------------------------------------------------------------------------------------------------------------------------|
| Type of awning: | 100% automatic. Secure inside its aluminium case, Polar White or Titanium finish. Roof installation. |
| Major benefits: | Excellent design, very sturdy, easy to operate and safe. Silent when opening/closing and when travelling. Easy-to-hook winch loop. Maximum shadow surface. Regulation system for the closure of the front bar, security mechanism self locking Auto Lock, Dual security system to indicate the correct closure of the front bar. |
| Application: | Motorhomes, autocaravans and Camper Vans. |
| Structure: | In extra strong Alu-Lite. Superlight, External automotive Polar White coating finish or in Titanium. |
| Fabric: | Cool and cheerful vinyl canopy. UV Resistant, waterproof and washable, with bright colours on both sides. Colours: Blue Ocean and Deluxe Grey. |
| Extension: | 250 cm |
| Lengths: | 400 cm, 450 cm, 490 cm. |
| Standard equip.: | Presto Fix® - Reinforced arms with twin cable - Extra Strong Arms - Dual Shock-Absorber® - Auto-Lock® - Telescopic handle - Hooks to secure legs to the ground Wall brackets for supporting legs - Tension Rafter L from the F65 400. |
| Optional: | Privacy Room F65 for Fiat Ducato, Citroën Jumper, Peugeot Boxer and Laika Kreos (page 31) - Blocker (page 34-35) - Motor Kit (page 21) - Adapters, fastening brackets (page 26) - Rain Guard and Crank Handle (page 56) - Led (pages 52-53). |



| | | | | | |
|-----------------------------------------------------------------------------------------------------------------------------------------------|-------------------------------------------------------------------------------------------------------------------------------------------------------------------|------------------------------------------------------------------------------------------------------------------------------------------------|-----------------------------------------------------------------------------------------------------------|-------------------------------------------------------------------------------------------------------------------------------------|----------------------------------------------------------------------------------------------------------------------------------------------------------|
|  <p>Only for H2 Model</p> | <p>KIT IVECO DAILY H2 2 pcs. 15cm brackets 1 pcs. 20cm brackets KIT 98655-733</p> |  <p>Only for H3 Model</p> | <p>KIT IVECO DAILY H3 3 pcs. 15cm brackets KIT 98655-704</p> |  | <p>KIT RENAULT MASTER 2 pcs. 29cm brackets 1 pcs. 12cm brackets KIT 98655-468</p> |
|  <p>After 2006 Also for VW-Crafter</p> | <p>KIT MERCEDES SPRINTER Highroof 1 pc. 60cm bracket 1 pc. 53cm bracket 1 pc. 12cm bracket KIT 98655-746</p> |  | <p>KIT FIXING-BAR 3 pcs. 20cm brackets KIT 98655-384</p> |  | <p>KIT GIOTLINE - FENDT 3 pcs. 15cm brackets KIT 98655-725 (for Genetics / Graal) KIT 98655-769 (for Sunny)</p> |
|  <p>WITHOUT DRILLING After 1994 before 06/2006</p> | <p>KIT DUCATO-JUMPER-BOXER HIGH ROOF 2 pcs. 20cm brackets KIT 98655-693</p> |  <p>WITHOUT DRILLING After 1994 before 06/2006</p> | <p>KIT DUCATO-JUMPER-BOXER HIGH ROOF 2 pcs. 20cm brackets KIT 98655-373</p> |  <p>WITHOUT DRILLING After 06/2006</p> | <p>KIT DUCATO-JUMPER-BOXER HIGH ROOF 2 pcs. 20cm brackets with closing rubber joints KIT 98655-745</p> |
|  | <p>CARTHAGO CHIC 1 x 400 cm 98655-736 450 cm 98655-737 500 cm 98655-738</p> |  | <p>KIT KNAUS YAT 3 pcs. 15cm brackets KIT 98655-723</p> |  | <p>HYMER S 1 x 400 cm 98655-360 450 cm 98655-361 490 cm 98655-362</p> |
|  | <p>KIT LAIKA KREOS 05 3 pcs. 15cm brackets KIT 98655-698</p> |  | <p>LAIKA KREOS <05 1 x 370 cm 98655-358 400 cm 98655-731</p> |  | <p>LAIKA REXOSLINE, KREOS 09 4 pcs. 15cm brackets KIT 98655-419</p> |
|  <p>NEW</p> | <p>KIT STANDARD 3 pcs. 20cm brackets KIT 98655-855</p> |  | <p>KIT MOBILVETTA NAZCA 4 pcs. 15cm brackets KIT 98655-756</p> |  | <p>AUTOCRUISE 3 pcs. 15cm brackets 98655-420 1 pc. 370cm bracket 98655-421 1pc. 400cm bracket 98655-422</p> |
|  | <p>ADAPTER LMC - TEC 98655-773 for F65 290 98655-774 for F65 340 98655-775 for F65 370 98655-776 for F65 400 98655-777 for F65 450</p> |  | <p>KIT SPRINTER ROOF RAIL 2 pcs. 20cm brackets 1 pc. 12cm bracket 98655-772</p> | | |



With Fiamma you can choose the most suitable enclosure for your vehicle and for your needs.



Fiammastor



| | WINCH AWNINGS | | | MANUAL AWNINGS | | |
|-------------------------------------------------|---------------|--------------|---------------------------------------|-------------------------------------------|------------------|-----------------------|
| | FIAMMA ZIP | PRIVACY ROOM | PRIVACY ROOM <small>NEW</small> LIGHT | CARAVANSTORE <small>NEW</small> ZIP LIGHT | CARAVANSTORE ZIP | PRIVACY ROOM CS LIGHT |
| Vinyl fabric | ● | ● | | | ● | |
| Polyester fabric | | | ● | ● | | ● |
| Front window with roller blind and mosquito net | ● | ● | | | ● | |
| Side window with roller blind and mosquito net | ● | ● | ● | ● | ● | ● |
| Rapid Set Awning F45 - 250cm extension | ● | | | | | |
| Rapid Set CS ZIP | | | | | ● | |
| Easy Clip CS Light 1.0 | | | | | | ● |
| Clip System Light - 250cm extension | | | ● | | | |
| Clip System Awning F45 - 250cm extension | | ● | | | | |
| Rafter Caravanstore | | | | ● | | |
| Poles CS Light 2 pcs. (vertical Poles for Side) | ● | ● | ● | ● | ● | ● |
| Mega Bag | ● | ● | | | ● | |
| Mega Bag Light | | | ● | | | ● |
| Curtains Kit Ocean 6 pcs. | ● | ● | | | ● | |
| Curtains Kit Ocean 2 pcs. | | | ● | ● | | ● |
| Skirting 550 cm. | ● | ● | ● | ● | ● | ● |

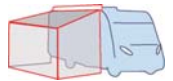
● Standard

● Optional



Fiammastor

FIAMMA ZIP® The only automatic awning complete with front and side panels and zip fasteners



Quickly double your living space with the Fiamma ZIP

German Patent 197 26 712, German Utility Model 202008002026.3, European Design Patent 991062

Exclusive to Fiamma and patented!

Have fun in open air in your own privacy. The ZIP comes complete with awning and enclosure. The innovative Fiamma ZIP system joins the side panels to the fabric of the awning with two special sturdy YKK zips. The awning is transformed into a completely enclosed room in a few minutes.

Standard delivered with:

- The awning (based on F45Ti)
- Installation brackets (Kit AS)
- 1 front panel with door and window with mosquito net.
- 2 side panels with windows with mosquito net.
- Rapid Set aluminium tension poles
- Central tension rafter (p.51),
- Vehicle skirting (p.49),
- Curtains for the three windows
- Storage bag Mega Bag (p.57).



The only automatic awning with ZIP fasteners complete with front and side panels



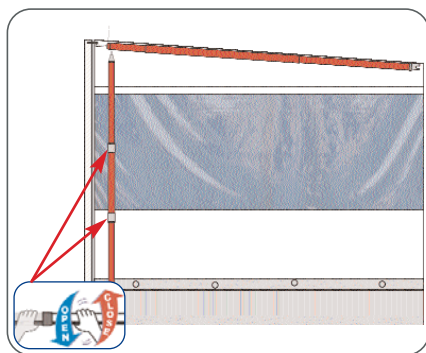
All windows can be rolled up and are delivered with mosquito net.

The window can be closed completely and sealed thanks to the two side zips and the Velcro on the lower part. Curtains, standard delivered, enable you to have complete privacy.

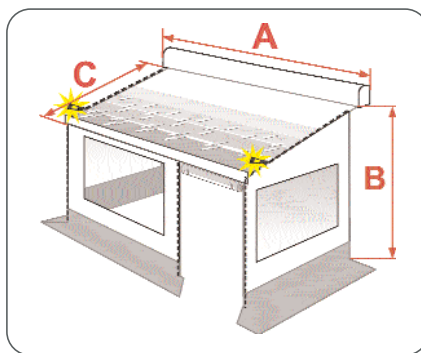


The only automatic awning complete with front and side panels

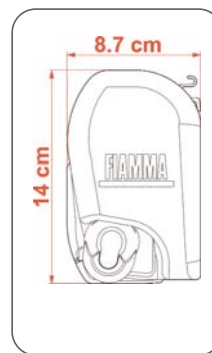




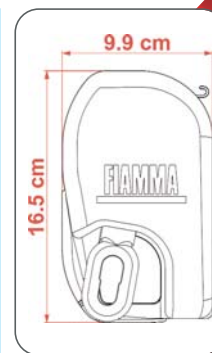
The complete range for your Motorhome



B 180-220 cm - **VAN**
225-250 cm - **MEDIUM**
251-280 cm - **LARGE**



ZIP 300
ZIP 350



ZIP L 400
ZIP L 450

Choose your model:

| POLAR WHITE | Description | Awning length A | Height B | Canopy extension C | Shade surface | Net weight |
|-------------|----------------------|-----------------|------------|--------------------|---------------------|------------|
| 05720B02(X) | ZIP 300 MEDIUM * | 306 cm | 225-250 cm | 250 cm | 7,1 m ² | 42,4 kg |
| 05720B03(X) | ZIP 300 LARGE * | 306 cm | 251-280 cm | 250 cm | 7,1 m ² | 42,6 kg |
| 05720C02(X) | ZIP 350 MEDIUM * | 356 cm | 225-250 cm | 250 cm | 8,3 m ² | 46,3 kg |
| 05720C03(X) | ZIP 350 LARGE * | 356 cm | 251-280 cm | 250 cm | 8,3 m ² | 46,5 kg |
| 05720D02(X) | ZIP L 400 MEDIUM ** | 406 cm | 225-250 cm | 250 cm | 9,6 m ² | 58,4 kg |
| 05720D03(X) | ZIP L 400 LARGE ** | 406 cm | 251-280 cm | 250 cm | 9,6 m ² | 58,6 kg |
| 05720E02(X) | ZIP L 450 MEDIUM *** | 456 cm | 225-250 cm | 250 cm | 10,1 m ² | 62,4 kg |
| 05720E03(X) | ZIP L 450 LARGE *** | 456 cm | 251-280 cm | 250 cm | 10,1 m ² | 62,6 kg |

Extension: 250 cm.

Specify the fabric colour you want in your order by replacing (X) with: **T= Deluxe Grey, N=Blue Ocean.**

* 1 Rafter included.

** 1 Rafter L included.

*** 1 Rafter L and 1 Door Pole included.

Type of awning: 100% automatic. Secure inside its coated aluminium case. Wall installation. Standard delivered with Privacy enclosure.

Major benefits: Excellent design, very sturdy, easy and safe to operate. Silent when opening/closing and while travelling. Easy-to-hook winch loop. Maximum shadow surface. Regulation system for the closure of the front bar, security mechanism self locking Auto Lock, Dual security system to indicate the correct closure of the front bar.

Application: Motorhomes and autocaravans.

Structure: Awning: in extra strong Alu-Lite. Superlight, external automotive aluminium case, Polar White finish.

Fabric: Cool and cheerful vinyl canopy. UV Resistant, waterproof and washable, with bright colours on both sides. Colours: Deluxe Grey and Blue Ocean, all coloured wave canopies.

Extension: 250 cm

Lengths: 300 cm, 350 cm, 400 cm, and 450 cm.

Standard equip.: Presto Fix®, new reinforced arms with twin cable, extra Strong Arms from F45i 300, Dual Shock-Absorber®, Auto-Lock®, Dual Security®, Folding crank handle, AS Brackets and internal M bracket covers, Hooks to secure legs to the ground, Wall brackets for leg support, Tension Rafter from 450cm (page 51), Privacy: Aluminium poles Rapid Set, tension Rafter, Skirting wind protection, Curtains Kit and Mega Bag.

Optional: Rain-Guard and Crank Handles (page 56)- Rafter Pro (page 51) - Motor Kit (page 21) - Fastening brackets (pag. 17-20). Patio-Mat (page 49), Led (pages 52-53). Winch installed on the left side available on request.



**Easy and sure to install:
it doubles your living space !**

The Fiamma Privacy Room is the best on the market because it allows complete aeration on all windows.

With the Privacy Room you can transform your Fiammastor into a comfortable living area.

The side panels are quickly put together with the exclusive patented Clip System.

The upper part is fastened together with the lower part, the fabric of the awning is then blocked between the lower and upper rail by screwing the knob. No other fixing system is as stable as the Fiamma Clip System. A special sponge is fitted, vertically, on the back part of the side panels and is fixed against the vehicle by an aluminium telescopic pole (included).

The front panel is inserted in the front rail of the awning and with the zip it is joined with the side panels. Standard delivered with: front panel with window (that can be rolled up and with mosquito net) and independent door that can be moved onto the right-hand or left-hand side.

Two side panels, windows with mosquito net.

The windows can be rolled up. Clip System installation system (p.31), Curtains Kit Ocean, Mega Bag (p.57).



All the windows can be opened and come with mosquito screens.



The lead bar slides into the front bar guide



The Kit Privacy O allows the installation of the Privacy® Room on Omnistor 5002 awnings. It is standard delivered with the Privacy Room.



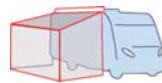
Standard delivered with Clip System bars with interior adjustment.



The door can be placed in the left-hand side.....



...and easily moved on to the right hand side!



CLIP SYSTEM

Very easy installation!

With the new Clip system the side panels of the Privacy are quickly and easily joined with the fabric of the awning.

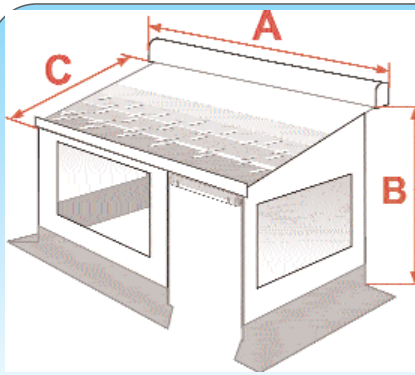
Just place the clip system in the corner of the casebox and the leg support of the front panel. Then the upper part is fastened together with the lower part. In order to guarantee a perfect seal the fabric of the awning is blocked between the lower and upper rail by screwing the internal knobs. Insert the side panels into the rail of the clip system.

The front panel of the Privacy Room is inserted into the rail of the front of the awning and with the zip it is then joined with the side panel of the Privacy.

The clip system is also delivered with two vertical poles that are fixed between the side walls and the vehicle walls and the side sponges. The system uses sandwich technology and is made of anodized aluminium.

It is adaptable for awnings with a maximum extension of 250cm. (when closed the set of tent pegs takes up only 120 cm).

The clip system is standard delivered with the Privacy Rooms.



B VAN - 180-220 cm
 MEDIUM - 225-250 cm
 LARGE - 251-280 cm

The complete range of Enclosures for your Motorhome

German Utility Models: 202 12 998.5 - 20 2005 008 237.6, 20 2008 002026.3 European Design Patent 991062

Choose your model:

| PRIVACY ROOM F45 Ti | Item-No. | Awning length A | Height from ground B | Extension C | Weight |
|------------------------|-----------|-----------------|----------------------|-------------|---------|
| VAN | | | | | |
| 250 Van | 05920-02- | 250 cm | 180-220 cm | 200 cm | 23.5 kg |
| 260 VWT5 Van | 05920-18- | 260 cm | 180-220 cm | 200 cm | 23.7 kg |
| 300 Van | 05920-03- | 300 cm | 180-220 cm | 250 cm | 24.0 kg |
| MEDIUM | | | | | |
| 300 Medium | 05920-04- | 300 cm | 225-250 cm | 250 cm | 24.4 kg |
| 350 Medium | 05920-05- | 350 cm | 225-250 cm | 250 cm | 24.9 kg |
| 400 Medium | 05920-06- | 400 cm | 225-250 cm | 250 cm | 25.4 kg |
| 450 Medium | 05920-07- | 450 cm * | 225-250 cm | 250 cm | 25.9 kg |
| LARGE | | | | | |
| 300 Large | 05920-08- | 300 cm | 251-280 cm | 250 cm | 24.7 kg |
| 350 Large | 05920-09- | 350 cm | 251-280 cm | 250 cm | 25.2 kg |
| 400 Large | 05920-10- | 400 cm | 251-280 cm | 250 cm | 25.7 kg |
| 450 Large | 05920-11- | 450 cm * | 251-280 cm | 250 cm | 26.2 kg |
| 500 Large | 05920-12- | 500 cm * | 251-280 cm | 250 cm | 26.7 kg |
| 550 Large | 05920-13- | 550 cm * | 251-280 cm | 250 cm | 27.2 kg |

* 1 Door Pole, frontal vertical telescopic pole standard delivered.

Installation kit for the new F45 Ti L included.

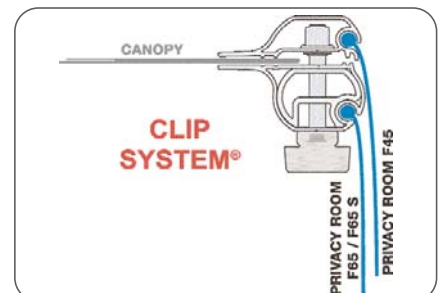
For F45Ti 250 and 300 the Clip System is positioned directly on to the Shock Absorber. From 350cm length an installation kit is standard delivered.

| PRIVACY ROOM F65/F65S | Item-No. | Awning length A | Height from ground B | Extension C | Weight |
|--------------------------|-----------|-----------------|----------------------|-------------|---------|
| 290 Ducato (<06/06) | 05925-01- | 290 cm | 245 cm | 200 cm | 22.6 kg |
| 320 Ducato (>06/06) | 05925-02- | 320 cm | 245 cm | 250 cm | 23.2 kg |
| 340 Ducato (<06/06) | 05925-03- | 340 cm | 245 cm | 250 cm | 23.8 kg |
| 370 Ducato (>06/06) | 05925-04- | 370 cm | 245 cm | 250 cm | 24.4 kg |
| 400 Kreos 3005 | 05925-06- | 400 cm | 285 cm | 250 cm | 25.4 kg |



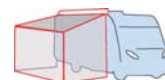
► The two side windows can be opened and come with mosquito screens.

Installation kit for F45Ti from 350 cm length standard included



The Clip System weights less: easier to install and carry.





The new Privacy Room Light, lighter and more compact for your holidays on the move

German Patent 197 26 712, German Utility Model 202008002026.3, European Design Patent 991062

The new, light Enclosure.

The new and light version of the well-known Privacy Room Fiamma. Made of light grey polyester that once folded up, takes up little space. It's standard delivered with the Fiamma Clip System to easily fasten it to the front of the awning. The two side panels are provided with roller blind and mosquito screens for good ventilation. The front panel slides in the front rail of the roller tube and thanks to the auto-lubricant zippers it's easy to fasten it to the lateral panels. The elegant Ocean curtains in plain blue for the front window are optional. The door can be moved to left or right-hand side. The side panels stick to wall of the vehicle with the standard delivered elastic ropes, provided with quick hooks. It can be used complete with the optional Tie Down S (Page 55). Standard delivered with Mega Bag Light.

Fiammastor



The two side panels are provided with roller blind and mosquito screens



Standard delivered with Mega Bag Light

Choose your model:

| PRIVACY ROOM Light | Item No. | Awning Length | height from ground | Extension | Weight |
|----------------------|------------------|---------------|--------------------|-----------|---------|
| F45 Ti MEDIUM | | | | | |
| 350 Medium | 06097A02- | 350 cm | 225-250 cm | 250 cm | 14.9 kg |
| 400 Medium | 06097A03- | 400 cm | 225-250 cm | 250 cm | 15.4 kg |
| 450 Medium | 06097A04- | 450 cm | 225-250 cm | 250 cm | 15.9 kg |
| LARGE | | | | | |
| 350 Large | 06097B02- | 350 cm | 251-280 cm | 250 cm | 15.2 kg |
| 400 Large | 06097B03- | 400 cm | 251-280 cm | 250 cm | 15.7 kg |
| 450 Large | 06097B04- | 450 cm | 251-280 cm | 250 cm | 16.2 kg |



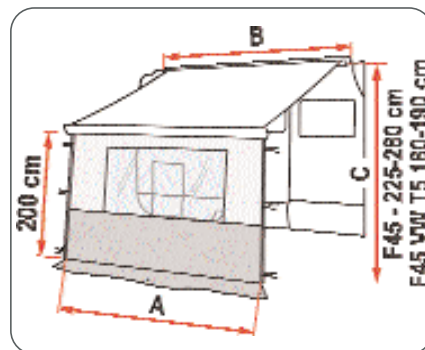
Curtains Kit Ocean for the front window, optional available

| Model | Item No. |
|----------------------------------|------------------|
| Curtains kit Ocean 2 pcs. | 98655A482 |



BLOCKER PRO

Front panel equipped with one large full light Crystal window and vinyl extension to the floor. Made of rot-proof vinyl, washable fabric with UV protection. Simple to install using elastic hooks and pegs provided. 200 cm high. **Suitable also for other awning brands.** The version VW T5 (Item No. 97960-13-) is also suitable for Omnistor 5102 awning.

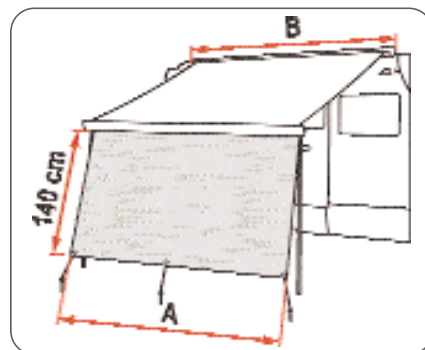


| Model | A: Blocker Pro length | B: awning length | C: Height from ground | Item No. |
|------------------------------|-----------------------|------------------|-----------------------|-----------|
| Blocker Pro 250 | ± 235 cm | 250 cm | 225-280 cm | 97960-02- |
| Blocker Pro 300 | ± 285 cm | 300 cm | 225-280 cm | 97960-06- |
| Blocker Pro 350 | ± 335 cm | 350 cm | 225-280 cm | 97960-08- |
| Blocker Pro 400 | ± 385 cm | 400 cm | 225-280 cm | 97960-10- |
| Blocker Pro 260 VW T5 | ± 245 cm | 260 cm | 180-190 cm | 97960-13- |



BLOCKER

Convenient **front panel** to protect you from sun light and rain and to give you more privacy. 140 cm high. Easy to install by using provided pegs. **Suitable for all the awnings also of other brands having the guide in the front bar.**

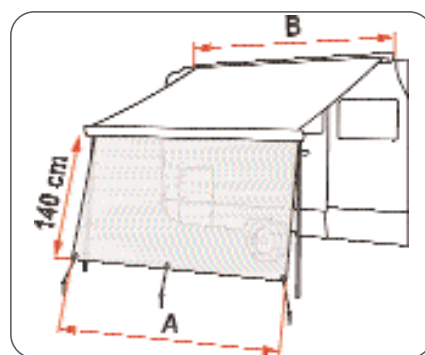


| Model | A: Blocker length | B: awning length | Item No. |
|--------------------|-------------------|------------------|-----------|
| Blocker 300 | ± 285 cm | 300cm | 97960-20- |
| Blocker 350 | ± 335 cm | 350cm | 97960-22- |
| Blocker 400 | ± 385 cm | 400cm | 97960-24- |



SUN VIEW

Convenient **front panel** for Fiamma F45 and F65 awnings. Made with translucent light filtering material, blocks about 80% of the light. 140 cm high. Easy to fix using provided ropes and pegs. **Suitable for all the awnings also of other brands having the guide in the front bar.**



| Model | A: Sun View length | B: awning length | Item No. |
|---------------------|--------------------|------------------|-----------|
| Sun View 300 | ± 288 cm | 300 cm | 97952-045 |
| Sun View 350 | ± 338 cm | 350 cm | 97952-050 |
| Sun View 400 | ± 388 cm | 400 cm | 97952-052 |

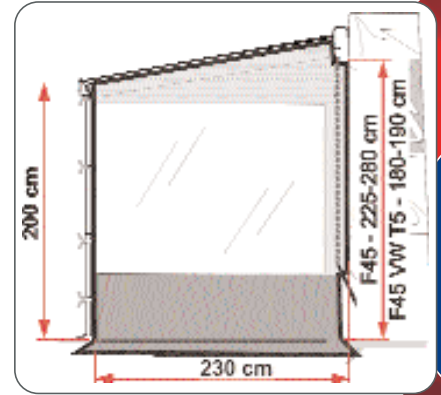


The Side panel can be installed on either side of the awning

SIDE W PRO

Convenient side panel with a large full light Crystal window and vinyl extension to the floor. Made of rot-proof vinyl, washable fabric with UV protection. Simple to install using the telescopic rafter, elastic hooks and pegs provided. **Suitable for Fiamma awnings from 3.00m long and for F65 / F65 S, Omnistor 5002/Tristor awnings too (optional kit available).** The version VW T5 (Item No. 97961-11-) is also suitable for Omnistor 5102 awning. For awnings till 300cm long, the rafter is installed to the Shock Absorber directly .

| Model | Item No. |
|-----------------------------|-----------|
| Side W Pro F45 | 97961-10- |
| Side W Pro F45 VW T5 | 97961-11- |



Side W Pro F45

For awnings from 350cm long, the installation is made through the standard delivered kit. For other models or brands see below schedule.

| Model | Item No. |
|---------------------------------|-----------|
| Kit Side x F65 / F65 S | 98655-073 |
| Kit Side x Omnistor 5002 | 98655-311 |
| Kit Side x Tristor | 98655-079 |

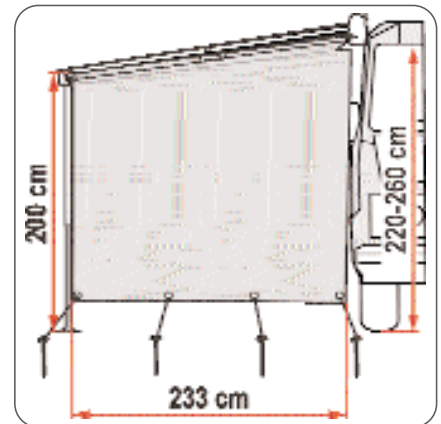


SUN VIEW SIDE

Convenient side panel for Fiamma F45 awnings. Made with translucent light filtering material, blocks about 80% of the light. 140 cm high. Easy to fix. Standard delivered with:
 - Tension Rafter
 - ropes and pegs.

Suitable for F65/F65 S, Omnistor 5002/Tristor awnings too (optional kit available).

| Model | Item No. |
|--------------------------|-----------|
| Sun View Side F45 | 97961-05- |



Sun View Side F45



Combining a Blocker with 2 Side W Pro you can easily create your Privacy, doubling the space at a cheaper price.



New Blocker Pro and Side W Pro for VW T5 with Fiamma or Omnistor awnings.



Elegant, nice-looking and really affordable. The only awning for caravans and minivans with tubular rewind for wrinkle-free fabric



The wall rafter support kit is standard delivered and provides safe support for the awning rafter to prevent damage to the vehicle wall.



EXCLUSIVE 100% ROUND-FRAME

Sturdy aluminium closed roller of bigger size Caravanstore® is the only awning with the fantastic benefit of having the Round-Frame roller tube in aluminium on which the fabric is wound.



The Fiamma Caravanstore® is the most compact awning
The awning's rafters and rods fit inside the aluminium roller-tube. No vibration when travelling and no loose parts fall out when opening the bag.

Caravanstore®
The light awning.
The first easy to use, sturdy and lightweight bag awning
The Fiamma Caravanstore® is easy to use and install: it takes only seconds to roll it out completely. Simple and essential, Fiamma Caravanstore offers excellent shelter from sun.

The legs are inside the rollertube and is standard delivered, easy to take out and install as it is articulated and telescopic, so they cannot fall down or be lost. For those reasons the caravanstore is the favourite. Inside the bag you can find also the improved wall fixing kit.

The larger roller can be rolled-up in both ways. It is enough to undo one screw in order to disassemble the legs and replace the fabric for quick and easy maintenance.

Caravanstore®
The fabric is perfect and wrinkle-free

It is wrinkle-free even after long storage and in just a few seconds it is just like new, ready to give shade. Thanks to its wide roller the Caravanstore® is easy to unroll and roll up and above all the fabric is wrinkle-free!

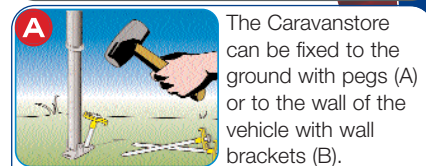
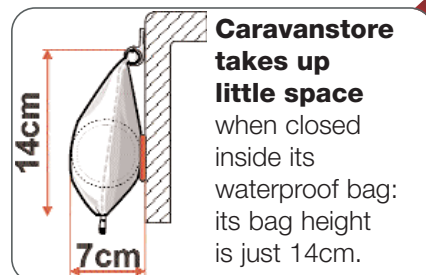
The exclusive system allows the roller to roll-up in both ways (photo 2).



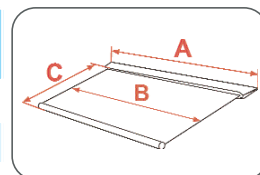
New:
standard delivered with the valence SHADE, in the same fabric colour. 28cm high. It slides in the front rail of the roller tube. It is however possible to buy Shade separately, as optional (see page 47).



**The original bag awning is produced only by Fiamma!
It is impossible to loose pieces: few pieces, less weight**



| DESCRIPTION | Description | Awning length A | Canopy length B | Canopy Extension C | Shade surface | Weight |
|-------------|--------------------|-----------------|-----------------|--------------------|--------------------|---------|
| 05540-01(X) | Caravanstore 190 | 196 cm | 162 cm | 180 cm | 2.9 m ² | 5,4 kg |
| 05540A01(X) | Caravanstore 225 | 236 cm | 202 cm | 225 cm | 4.5 m ² | 7,1 kg |
| 05540B01(X) | Caravanstore 255 | 266 cm | 232 cm | 225 cm | 5.2 m ² | 7,6 kg |
| 05540C01(X) | Caravanstore 280 | 288 cm | 254 cm | 225 cm | 5.7 m ² | 7,8 kg |
| 05540D01(X) | Caravanstore 310 | 318 cm | 284 cm | 225 cm | 6.4 m ² | 8,3 kg |
| 05540E01(X) | Caravanstore 360 | 369 cm | 334 cm | 225 cm | 7.5 m ² | 9,5 kg |
| 05540F01(X) | Caravanstore 410* | 419 cm | 384 cm | 225 cm | 8.6m ² | 10,1 kg |
| 05540G01(X) | Caravanstore 440** | 449 cm | 414 cm | 225 cm | 9.3 m ² | 10,7 kg |



- European Patent 0 572 741
- Japanese Patent 2 075 937
- U.S.A. Patent 5 269 359
- German Utility Model: 203 07 352.5
- U.S.A. Design Patents: 355.353 - 355.587

Several other patents pending

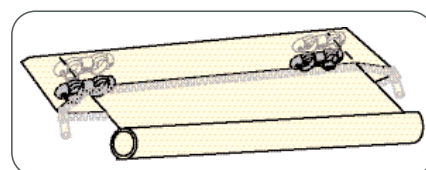
*1 tension Rafter Caravanstore in anodized aluminium included.

**1 tension Rafter Caravanstore and 1 Caravanstore Support Leg in anodized aluminium included.

Specify the fabric colour you want in your order by replacing (X) with: **N=Blue Ocean, T=Deluxe Grey.**

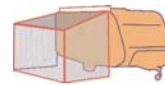
| | |
|-------------------------|-------------------------------------------------------------------------------------------------------------------------------------------------------------------|
| Type of awning | Compact, lightweight and easy to operate. Horizontal and vertical support assembly slides into awning roller tube. |
| Major benefits: | Specially designed for caravans, trailers, pop-ups, small campers and mobile homes. |
| Type of housing: | Housed in a soft bag with handy YKK self-lubricating zipper. No vibration when travelling. |
| Installation: | Slides easily into the existing awning rail, supplied upon request. Easy to remove. Standard delivered with shock absorber foam stickers. |
| Fabric: | Cool and cheerful, vinyl fabric with diffused lighting, hard-wearing and waterproof, with bright colours on both sides. Colour: Blue Ocean or Deluxe Grey. |
| Extension: | 225cm (180cm for 190cm awning) |
| Length: | 190 cm, 225 cm, 255 cm, 280 cm, 310 cm, 360 cm, 410 cm and 440 cm. |
| Standard equip.: | Ground securing hooks. Rafter Caravanstore standard delivered from the 410cm model, Rafter Caravanstore and Caravanstore Support Leg in the 440cm. Valence Shade. |
| Optional: | Blocker (p.46/47) Rafter and Caravanstore Support Leg (p.57). |

KIT HOBBY CARAVANSTORE



Supplementary kit to fix the Caravanstore on new Hobby caravans.

| Item No. |
|-----------|
| 98655-034 |



The complete solution : awning and enclosure, complete with windproof and waterproof zip fasteners

The Caravanstore ZIP comes complete with the awning and the enclosure. The innovative Caravanstore ZIP system joins the side panels to the awning's fabric with two special sturdy YKK zips. In a few instants the awning can be transformed to a complete ZIP. The caravanstore ZIP is available with canopy in Blue Ocean or Deluxe Grey.

Delivered with:

- The awning (Caravanstore type),
- 1 front panel with door,
- 2 side panels,
- Rapid Set CS,
- Curtains Kit for the 3 windows,
- Storage bag Mega Bag (p. 57).

The 3 screened windows can be opened and are standard delivered with mosquito net.

Double quickly your living space with the Caravanstore Zip

German Patent 197 26 712, European Design Patent 991062



► FIAMMA exclusive:

ZIP your side and front panels onto your awning and double your living space

The only automatic awning for Caravan with ZIP fasteners complete with front and side panels



The side panels are quickly installed with the aluminium tension poles that are standard delivered



The front panel easily slides into the front roller



Windows come with curtain Kit

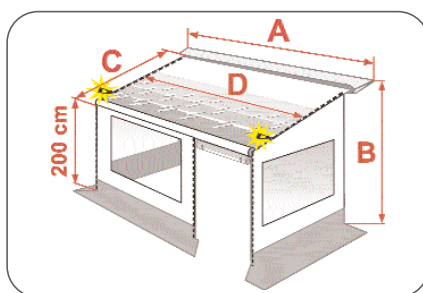
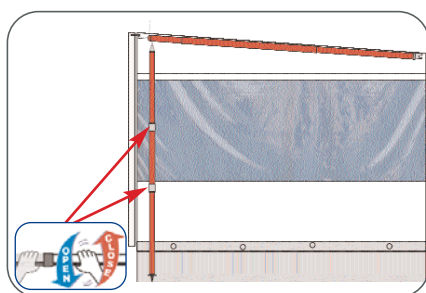


The three windows can be rolled up and are standard delivered with mosquito net

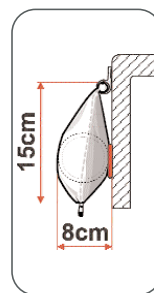


The caravanstore with Privacy can be mounted very quickly. Few pieces, less weight

German Patent 197 26 712



The side panels are joined to the awning fabric with two special sturdy YKK zips.



Choose your model:

| CARAVANSSTORE ZIP | Description | Awning length A | Height from ground B | Extension C | Canopy length D | Shade surface | Net Weight |
|-------------------|------------------------|-----------------|----------------------|-------------|-----------------|--------------------|------------|
| 05715C01(X) | Caravanstore ZIP 280 | 288 cm | 240-260 cm | 225 cm | 254 cm | 5,6 m ² | 24,2 Kg |
| 05715D01(X) | Caravanstore ZIP 310 | 318 cm | 240-260 cm | 225 cm | 284 cm | 6,3 m ² | 26,1 Kg |
| 05715E01(X) | Caravanstore ZIP 360* | 369 cm | 240-260 cm | 225 cm | 334 cm | 7,4 m ² | 28,8 Kg |
| 05715F01(X) | Caravanstore ZIP 410* | 419 cm | 240-260 cm | 225 cm | 384 cm | 8,5 m ² | 31,9 Kg |
| 05715G01(X) | Caravanstore ZIP 440** | 449 cm | 240-260 cm | 225 cm | 414 cm | 9,9 m ² | 34,5 Kg |

* Caravanstore Support Leg included. ** Rafter Caravanstore and Caravanstore Support Leg included. Specify the fabric colour you want in your order by replacing (X) with: **N=Blue Ocean, T=Deluxe Grey.**

| | |
|------------------------|------------------------------------------------------------------------------------------------------------------------------------------------------------------------------------------------------------|
| Type of awning | Compact, lightweight and easy to operate. Horizontal and vertical support assembly slides into awning roller tube. Comes complete with Privacy. |
| Major benefits: | Specially designed for caravans, trailers, pop-ups, small campers and mobile homes. |
| Type of housing | Housed in a soft bag with handy YKK self-lubricating zipper. No vibration when travelling. |
| Installation: | Slides easily into the existing awning rail, supplied upon request. Easy to remove. Standard delivered with shock absorber foam stickers. |
| Fabric: | Cool and cheerful, vinyl fabric with diffused lighting, hard-wearing and waterproof, with bright colours on both sides. Colour: Blue Ocean or Deluxe Grey. |
| Extension: | 225 cm |
| Length: | 280 cm, 310 cm, 360 cm, 410 cm and 440 cm. |
| Standard equip. | Ground securing hooks. Rafter standard delivered from the 440cm model, Caravanstore Support Leg from the 360cm. Privacy easily transported in the Mega Bag. Telescopic poles and Curtains Kit for Privacy. |
| Optional: | Rafter Caravanstore and Caravanstore Support Leg (p.51). |

NEW

CARAVANSTORE ZIP[®] Light

Caravanstore Zip Light

To double your living space. Reduced weight and compact dimensions.

The new and light version of the well-known Fiamma Caravanstore ZIP; it is provided with an enlarged bag which now contains also the frontal and side panels and the set of poles. The only awning for your Caravan that doesn't take up room inside the vehicle, only outside. In a few minutes the awning can be turned into a completely enclosure to double your living space. The door can be moved to left or right-hand side. The bag is 23 cm high. The two blinds of the side panels can be rolled up and are delivered with mosquito net for good ventilation. The Ocean curtains in plain blue for the front panel window are optional. The side panels join to the wall of the vehicle thanks to the standard delivered elastic ropes, provided with quick hooks. It can be used complete with the optional Tie Down S (Page 55).



Reduced weight and compact dimension

German Utility Model 20 2009 005 040.8



The only enclosure for your Caravan that doesn't take up room inside the vehicle, but only outside. The awning, the front and side panels and the set of poles are contained inside the bag.



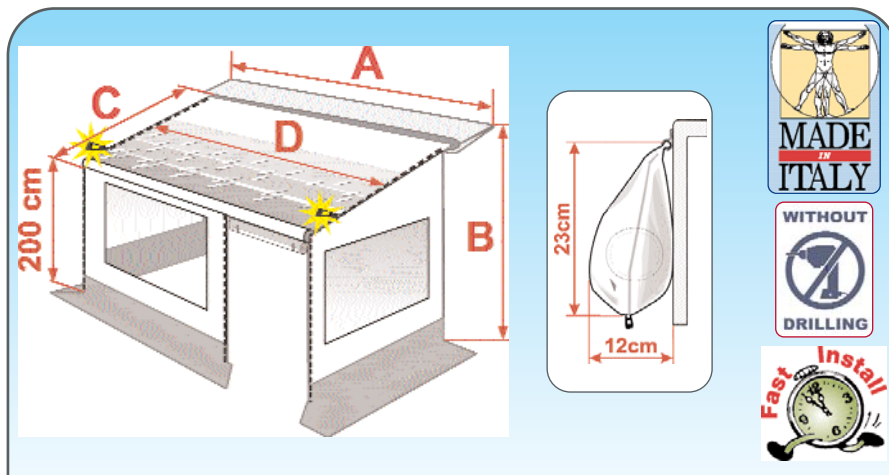
Easy and quick to install. To double your living space. Reduced weight and compact dimensions.

CARAVANSSTORE ZIP Light

Italian Design



NEW



Very nice, light and quick to install



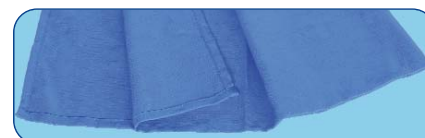
The complete awning and enclosure are rolled up inside the bag, which is only 23cm high.



Easy Slide



Safety Strip



Curtains Kit Ocean for the front window, optional available



The door can be placed in the left-hand side.....and easily moved on to the right hand side!



The two side windows can be opened and come with mosquito screens.

| Model | Item-No. |
|---------------------------|-----------|
| Curtains kit Ocean 2 pcs. | 98655A482 |

Choose your model:

| CARAVANSSTORE ZIP Light | Description | Awning length A | Height from ground B | Extension C | Canopy length D | Shade surface | Net Weight |
|-------------------------|----------------------|-----------------|----------------------|-------------|-----------------|--------------------|------------|
| 06101D01T | Cstore ZIP Light 310 | 324 cm | 240-260 cm | 225 cm | 284 cm | 6,3 m ² | 17,2 Kg. |
| 06101E01T | Cstore ZIP Light 360 | 375 cm | 240-260 cm | 225 cm | 334 cm | 7,4 m ² | 20,2 Kg. |
| 06101F01T | Cstore ZIP Light 410 | 425 cm | 240-260 cm | 225 cm | 384 cm | 8,5 m ² | 23,2 Kg. |

Rafter Caravanstore and ground securing hooks included. Colour of the canopy: **Deluxe Grey.**

| | |
|------------------------|-------------------------------------------------------------------------------------------------------------------------------------------------------|
| Type of awning | Compact, lightweight and easy to operate. Horizontal and vertical support assembly slides into awning roller tube. Comes complete with Privacy Light. |
| Major benefits: | Specially designed for caravans, trailers, pop-ups and small campers. |
| Type of housing | Housed in a soft bag with handy YKK self-lubricating zipper. |
| Installation: | Slides easily into the existing awning rail, supplied upon request. Easy to remove. |
| Fabric: | Cool and cheerful, vinyl fabric with diffused lighting, hard-wearing and waterproof, with bright colours on both sides. canopy colour Deluxe Grey. |
| Extension: | 225 cm |
| Length: | 310 cm, 360 cm, 410 cm |
| Standard equip. | Ground securing hooks. Rafter Caravanstore. |
| Optional: | Poles CS Light, Curtains Kit Ocean and Skirting 550cm. |

FIAMMA PRIVACY ROOM CS Light

Privacy Room CS Light



Light in weight and lighter in price. The side walls also have complete ventilation.

The enclosure Privacy Room CS Light is specially designed for the Fiamma Caravanstore. Standard delivered with the Easy Clip CS Light aluminium profiles composed of two pieces that ensure secure fastening. Easy installation side panels are provided with big windows that can be opened, equipped with mosquito nets.

The front panel slides in the front rail of the roller tube and thanks to the auto-lubricant zippers it's easy to fasten the lateral panels. Elegant curtains in Ocean colour for the front window are optional. The door can be moved to the left or right-hand side.

Can be installed on all Caravanstore from 04 version.

Privacy Room CS Light enclosure: the compact solution for your Caravanstore

German Utility Model: 20 2006 012 082.3
European Design Patent 991062



The Easy Clip CS Light is easy to place in



Convenient fastening knobs



The front panel slides in the rail of the roller tube



Convenient self-lubricating zippers



Solid and light Easy Clip Cs Light



Your Privacy ready in a matter of seconds

FIAMMA PRIVACY ROOM CS Light

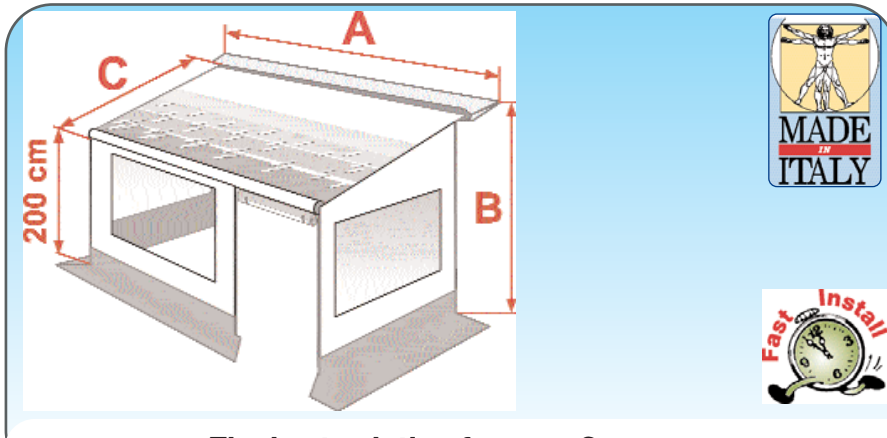
EASY CLIP CS LIGHT

German Utility Model 202006012082

Exclusive to FIAMMA

With the Easy Clip CS Light the side panels of the privacy room are quickly and easily joined with the fabric of the awning. Sturdy but light weight it allows an easy mounting of your awning. This new patented system uses sandwich technology and is made of anodized aluminium.

When closed the set of tent poles takes up only 120 cm. Easy Clip CS Light is standard delivered with Privacy room CS.



The best solution for your Caravan



Have a great holiday with the Privacy Room CS Light!



When closed you can enjoy a complete privacy.



The two side windows are equipped with roller blind and mosquito screen.



Curtains Kit Ocean for the front window, optional available.

| Model | Item-No. |
|---------------------------|-----------|
| Curtains kit Ocean 2 pcs. | 98655A482 |

Choose your model:

| PRIVACY ROOM CS Light | Description | A: awning length | B: height from ground | C: extension | Weight |
|-----------------------|-------------------|------------------|-----------------------|--------------|---------|
| 05815-01- | P.R. CS Light 255 | 266 cm | 240 - 260 | 225 cm | 11,3 kg |
| 05815-02- | P.R. CS Light 280 | 288 cm | 240 - 260 | 225 cm | 11,6 kg |
| 05815-03- | P.R. CS Light 310 | 318 cm | 240 - 260 | 225 cm | 11,8 kg |
| 05815-04- | P.R. CS Light 360 | 369 cm | 240 - 260 | 225 cm | 12,3 kg |
| 05815-05- | P.R. CS Light 410 | 419 cm | 240 - 260 | 225 cm | 12,8 kg |
| 05815-06- | P.R. CS Light 440 | 449 cm | 240 - 260 | 225 cm | 13,3 kg |

The height from the ground (B) must be from a min. of 240 cm. to a max of 260 cm. Standard delivered with Easy Clip CS Light, Pegs and Elastics Kit and Mega Bag Light.



Mega Bag Light for Privacy Room CS Light, standard delivered.



F35 Pro: the ideal solution for your 4x4

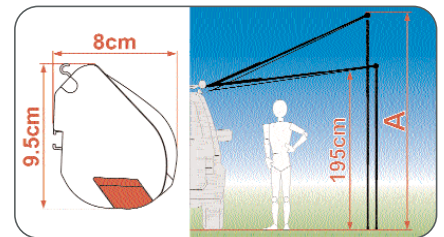
European Patent 0 572 741 - Japanese Patent 2 075 937 - U.S.A. Patent 5 269 359
 U.S.A. Patents 355.587 - 355.353 - **Several other patents pending**

For your minivan, 4x4, utility vehicle or station-wagon. Sturdy with anodized aluminium case and manual mechanism.

Quick and easy installation and utilization.

Fiamma F35 can be installed on any kind of minivan thanks to a variety of brackets (see following page) that can be fixed on the wall or on the roof bars and rail.

The installation and the removal from the roof-rack is very quick thanks to the optional mounting kit without drilling.



| F35 PRO | Description | Length | Extension | Max. height from ground A | Net weight |
|----------------|---------------------|---------------|------------------|----------------------------------|-------------------|
| 05235-01(X) | F35 Pro 180 | 180 cm | 180 cm | 195 cm | 6.0 kg |
| 05235A01(X) | F35 Pro 220 | 220 cm | 225 cm | 225 cm | 8.5 kg |
| 05235B01(X) | F35 Pro 250 | 250 cm | 225 cm | 225 cm | 9.0 kg |
| 05235C01(X) | F35 Pro 270 | 270 cm | 225 cm | 225 cm | 10 kg |
| 05235D01(X) | F35 Pro 300 | 300 cm | 225 cm | 235 cm | 10.5 kg |
| 05235E01(X) | F35 Pro 350* | 350 cm | 225 cm | 235 cm | 14.7 kg |
| 05235F01(X) | F35 Pro 400* | 400 cm | 225 cm | 235 cm | 16.2 kg |
| 05235G01(X) | F35 Pro 430* | 430 cm | 225 cm | 235 cm | 17.2 kg |

Specify the fabric colour you want in your order by replacing (X) with: **N= Blue Ocean, T= Deluxe Grey.** *1 Rafter Caravanstore included





| | |
|-------------------------|------------------------------------------------------------------------------------------------------------------------------------------------------------------|
| Type of awning: | Compact and lightweight. Secure inside its aluminium case. Suitable for minivans, 4-wheel drives and cars. |
| Major benefits: | Tubular rewind for wrinkle-free appearance. Easy to use, excellent design. |
| Hardware finish: | Super lightweight anodized aluminium. |
| Fabric: | Cool and cheerful, diffused lighting, exclusive, with bright colours on both sides. In ultra-resistant and waterproof vinyl. Colour: Blue Ocean and Deluxe Grey. |
| Extension: | 225cm (180cm for 180cm awnings). |
| Length: | 180 cm, 220 cm, 250 cm, 270 cm, 300 cm, 350 cm, 400 cm and 430 cm. |
| Standard equip: | Ropes and hooks to secure it to the ground. |
| Optional: | Brackets for installation on minivan or 4-wheel drive roof-racks and wall installation. Blocker. |



ADAPTERS



F35 PRO

WALL INSTALLATION

| | | | |
|--|-----------------------------------------------------------------------------------------------------------------------------------------------------------------------------------------------|--|----------------------------------------------------------------------------------------|
| | <p>KIT VW T5 Multivan-Transporter</p> <p>2 pcs. 12cm brackets 98655-747</p> <p>For the Transporter version the rail is optional: contact the VW dealer to get the rail.</p> | | <p>KIT VW T5 California</p> <p>2 pcs. 8cm brackets 98655-748</p> |
| | <p>KIT VW T4 Lift Roof</p> <p>2 pcs. 8cm brackets 98655-111</p> | | <p>KIT VW T3</p> <p>2 pcs. 8cm brackets 98655-114</p> |
| | <p>KIT Mercedes Vito Marco Polo Before 06/2002</p> <p>2 pcs. 8cm brackets 98655-682</p> | | <p>RAIL</p> <p>300cm 02361-01A</p> <p>400cm 02361-01C</p> |

INSTALLATION TO ROOF RAILS

| | | | |
|--|------------------------------------------------------------------------|--|------------------------------------------------------------------------|
| | <p>STANDARD</p> <p>2 pcs. 8cm brackets 98655-142</p> | | <p>KIT AUTO</p> <p>2 pcs. 8cm brackets 98655-310</p> |
|--|------------------------------------------------------------------------|--|------------------------------------------------------------------------|



Combining a Blocker with 2 Side W Pro you can easily create your Privacy, doubling the space at a cheaper price.



BLOCKER PRO Caravanstore - F35 PRO

Front panel is equipped with one large full light Crystal window and vinyl extension to the floor. Gives you more privacy and protection against the wind. Made of anti-rot vinyl, washable fabric with UV protection. Simple to install using elastic hooks and pegs provided.

Can be installed on all Caravanstore from 04 version and on F35 Pro awnings.



Blocker Pro slides inside the roller guide of the Caravanstore awnings.

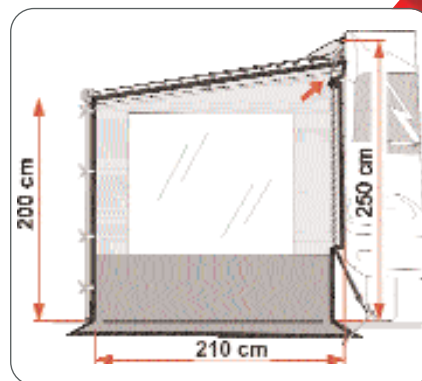


| Model | Blocker Pro length | Awning length | Item-No. |
|------------------------|--------------------|---------------|-----------|
| Blocker Pro 225 | ± 205 cm | 225 cm | 97960-01- |
| Blocker Pro 255 | ± 235 cm | 255 cm | 97960-02- |
| Blocker Pro 280 | ± 255 cm | 280 cm | 97960-04- |
| Blocker Pro 310 | ± 285 cm | 310 cm | 97960-06- |
| Blocker Pro 360 | ± 335 cm | 360 cm | 97960-08- |
| Blocker Pro 410 | ± 385 cm | 410 cm | 97960-10- |
| Blocker Pro 440 | ± 415 cm | 440 cm | 97960-12- |



SIDE W PRO Caravanstore - F35 PRO

Convenient side panel made of anti-rot vinyl, washable fabric with UV protection. Equipped with one large full light Crystal window and grey extension to the ground. Simple to install using the aluminium telescopic rafter, elastic hooks and pegs provided.



Side W Pro Caravanstore

| Model | Item-No. |
|-------------------------|-----------|
| Side W Pro Caravanstore | 97961-03- |

The Side panel can be installed on either side of the awning

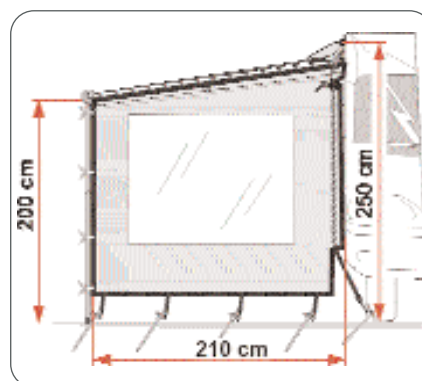


SIDE W Caravanstore - F35 PRO

Convenient side panel made of anti-rot vinyl, washable fabric with UV protection, with one large full light Crystal window. Simple to install using the aluminium telescopic rafter, elastic hooks and pegs provided.



| Model | Item-No. |
|---------------------|-----------|
| Side W Caravanstore | 97961-01- |



Side W Caravanstore



SHADE

Convenient valence Shade to slide into the roller guide of the lead bar. It can be left installed when the awning is closed. Helps to protect from sun and rain extending the shade surface. Available in two colours: Deluxe Grey and Blue Ocean (the tone could lightly change). It is 410cm long and 28cm. high and **can be easily adjusted to the length of the awning.** Suitable also with F45, F65, F35 and other awning brands with guide in the lead bar.

| Shade | Item No. |
|-------------|-----------|
| Deluxe Grey | 98655-103 |
| Blue Ocean | 98655-104 |



Valence Shade

FIAMMA W35



Ideal for side and rear windows of caravans and motorhomes

FIAMMA W35

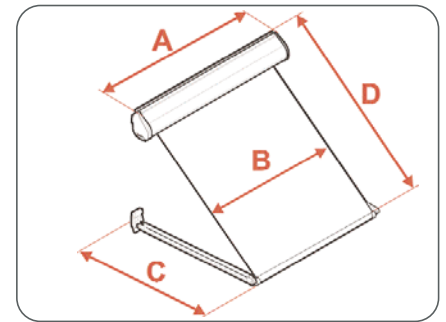
Here is the new window awning Fiamma W35. The W35 is easy to install and to use assuring you of good protection from sun light. It can be quickly opened pulling the opening belt; the canopy's extension is adjustable. It rolls up automatically thanks to the spring inside the rollertube. It is standard delivered with 2 installation adapters that can be fixed on the rail above the vehicles' windows. Anodized aluminium case. Canopy made with light filtering material, blocks about 85% of the light.



When closed takes up little space



Opened, protect you from sun light



German Utility Model 202008016829.5

| FIAMMA W35 | Description | Awning length A | Canopy length B | Extension C | Canopy Extension D | Weight |
|------------|----------------|-----------------|-----------------|--------------|--------------------|--------|
| 05785-01A | Fiamma W35 135 | 135 cm | 120cm | 45 cm | 65 cm | 4,5 Kg |
| 05785B01A | Fiamma W35 195 | 195 cm | 180 cm | 45 cm | 65 cm | 6 Kg |





The essential accessory for your awning and Privacy® Room

The essential accessory for your awning and Privacy Room.

Available in 4 lengths to better adjust to your awning length. The Patio Mat is manufactured by small polypropylene pipes, allowing the air to go through leaving the carpet really light and easy to carry. It is easy to clean by removing the dirt from the surface and washing with water. It dries in the open air. Patio Mat is UV-ray resistant and maintains its colour and the technical features over time. You can use your Patio-Mat peacefully because it is Fire retardant. Complete with bands at the tips to fix it to the pegs in case of wind (pegs not included). Available in 4 lengths. Optional: handy bag made of transpiring material, with straps for easy transport. The double face design allows the use of both sides of the Patio-Mat. It comes complete with bands at the tips to fix the mat to the ground through pegs (*not standard delivered*).



Bands for pegs



Patio Bag optional

| Item No. | Description | Dimensions | Awning Length | Surface | Weight |
|-----------|----------------------|-----------------|---------------|----------------------|--------|
| 05913-01- | Patio-Mat 290 | 2.9 x 2.5 m | 300-310 | 7.25 m ² | 3.2 kg |
| 05914-01- | Patio-Mat 340 | 3.4 x 2.5 m | 350-360 | 8.50 m ² | 3.5 kg |
| 05915-01- | Patio-Mat 390 | 3.9 x 2.5 m | 400-410 | 9.75 m ² | 3.8 kg |
| 05788-01- | Patio-Mat 440 | 4,4 x 2,5 m | 400-440 | 11,25 m ² | 4,2 kg |
| 05726-01- | Patio-Bag | 90 x 35 x 16 cm | | | |



Skirting Motorhome

SKIRTING

Optional protection against wind and rain that eliminates draughts. Suitable for all Fiamma Privacy and can be easily shortened. Available in two versions: for Motorhome (Dim. 550x60h cm.) and for Caravan (Dim. 450x60h cm.). Skirting Motorhome comes complete with installation kit including snap fasteners. Skirting Caravan slides into the standard rail of the vehicle. Both the versions are standard delivered with the wheel skirting protection.

| Model | Item No. |
|---------------------------|-----------|
| Skirting Motorhome | 98655-090 |
| Skirting Caravan | 98655-084 |

NEW

FIAMMA Accessories F45 - F65 - ZIP

Fiammastor

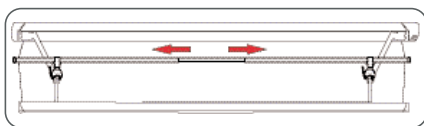


MAGICRAFTER® PRO

The innovative model of the Fiamma universal and telescopic Magicrafter. It comes complete with two special brackets to fix in the knuckles of the arms in order to keep the fabric tight. The perfect tool to avoid the water poolings caused by the rain and the noisy flapping of the fabric in the wind. It doesn't ruin the fabric. Easy to install. When not in use it takes up little space. It's made of a sturdy anodized aluminium tube.

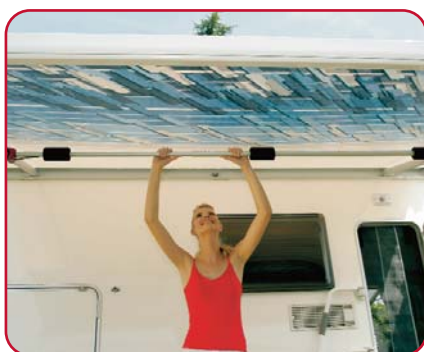
Limit usage at high temperatures. Available in two versions:

- Standard, for awnings from 350 to 450 cm.
- XL, for awnings from 500 to 550 cm.



German Utility Model 20 2009 005 082.3

| Model | Item No. |
|----------|-----------|
| Standard | 98655-847 |
| XL | 98655-857 |

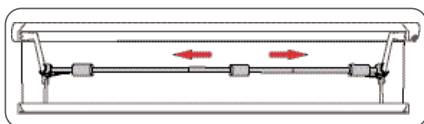


MAGICRAFTER® Universal Rafter

Innovative universal telescopic Rafter in anodized aluminium. It is easily installed by hooking the ends onto the awning arms, while keeping them tight to avoid bending. It also fits awnings of other brands.

Available in two versions:

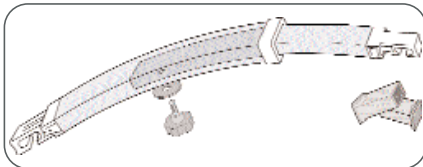
- Standard, for awnings from 250 to 400 cm
- XL, for awnings from 450 to 500 cm.



German Utility Model: 20 2005 002 553.4

| Model | Item No. |
|----------|-----------|
| Standard | 98655-716 |
| XL | 98655-717 |

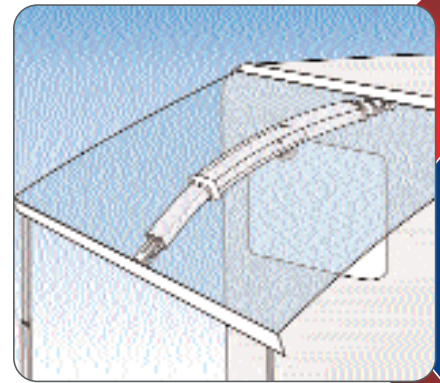
FIAMMA Accessories F45 - F65 - ZIP



RAFTER PRO

Curved tension rafter eliminates water pooling and noisy flapping of fabric in the wind.

The tension Rafter PRO is easy to install without making any holes in the awning. It keeps the fabric tight, eliminating water pooling from rain and any noisy flapping of fabric in the wind. Plus, there is more clearance for vehicle doors. The rafter is made of two sturdy anodized aluminium telescopic bars. Ideal for awnings with extension up to 250cm, it adapts from min 144cm to max 265cm. length. Complete with rubber ends so it can be installed on other awning brands. Limit usage at high temperatures.



Item No.

03616A01-

German Utility Model: 297 17 092



RAFTER L

Rafter for F45i L, Zip L, F65 S and F65

Spring rafter is made of solid anodized aluminium. Quick fixing system without screws. Standard delivered with F45 Ti L, Zip L 400-450, F65 S 400, F65 400-450-490.



F45Ti L



F45Ti L

Item No.

98655-679



F65 S



F65



F65 / F65 S



RAFTER

Tension rafter in aluminium to keep the fabric tight

Anodized aluminium tension rafter supplied with special wall clips for storage inside the vehicle. Adjustable length from min 142 to max 265cm. Suitable for awnings with max 250cm extension. Complete with rubber ends so it can be installed on other awning brands.



Item No.

98655-087

German Utility Model: 20 2005 002 553.4

NEW

FIAMMA

Accessories F45 - F65 - ZIP

CE

Fiammastor



NEW



German Utility Model 202009005039.4

RAFTER LED

New telescopic Rafter LED with 17 Led lamps.

It is made of solid anodized aluminium.

Suitable for most of the box awnings for motorhomes on the market.

Standard delivered with hooks with electric connections to fix on the awning:

you only have to click into position and the lights come on as if by magic.

The Rafter LED also includes a switch for easy switching on and off.

Led lamps of 25 mA grant you an intense white light in the middle of the awning,

above the table, without heating and with low consumption.

Isolated for external use. Rafter Led can be placed in different positions.

It is possible to install more than one Rafter LED.

Dimensions: Length min 142cm, max 265 cm.

| Rafter Led | Feeding tension | Absorbed power | Electric input |
|------------|-----------------|----------------|----------------|
| 98655-850 | 12 Vdc | 3,6 W | 0,3 A |



NEW

**AWNING ARMS LED**

LED lighting system composed by 4 LED lamps kits mounted on a proper support easily attached to the case awnings' arms.

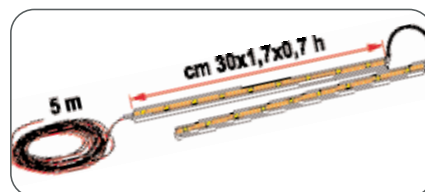
Its compact dimensions allow to keep it mounted, also during the closing of the awning. Complete with supply cable of 5 mt for a rapid connection.

In the awning F45Ti L the cables can be installed inside the arms; in F45Ti the cables are attached to the arm rails using the optional self-adhesive Kit Cables Rail (page 53). Each group of lights contains 9 LED lamps, which are isolated for external use. Low consumption, no heating.

Easy for installation. They can be used to illuminate also the furniture and dark corners.

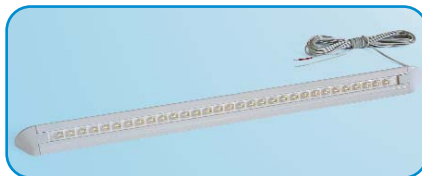
Dimensions of each lamps kit: 1,7x0,7x30 cm.

| Awning Arms Led | Feeding tension | Absorbed power | Electric input |
|-----------------|-----------------|----------------|----------------|
| 98655-849 | 12 Vdc | 1,8 W | 0,15 A |



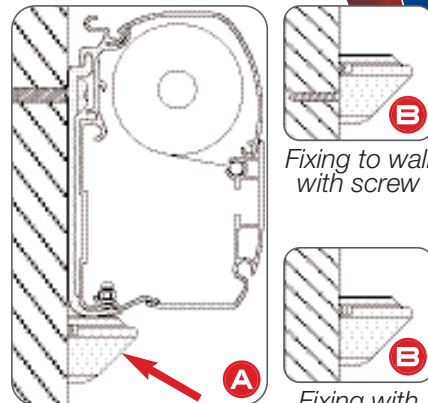
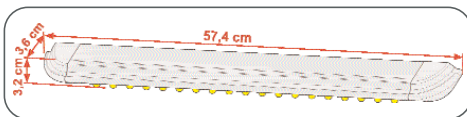


NEW



LED AWNING LIGHT

External LED light for awnings. Made of solid painted aluminium. It includes 31 LED lamps with intense white light that don't heat; they are isolated for external use and consume low electric power. You can fix it under the case of the awning (A) or above the entrance door (B). It can be also installed inside the vehicle under cabinets. Complete with elegant plastic terminals. Dimensions: 57,4x3,6x3,2 cm.



Fixing to case box

Fixing to wall with screw

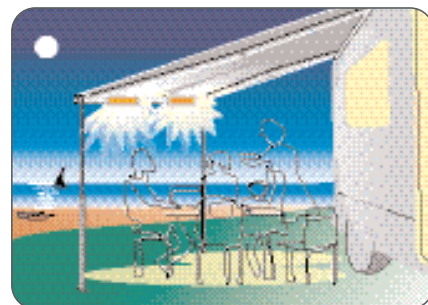
Fixing with sika mastic

| Led Awning Light | Feeding tension | Absorbed power | Electric input |
|------------------|-----------------|----------------|----------------|
| 98655-848 | 12 Vdc | 3,1 W | 0,26 A |



KIT AWNING LED

Lighting system to be installed on F45 and F65 awnings. It is composed of two 10 led lamps, low consumption, 12V power supply cable 5m long. In the F45 Ti L awning, the cable is hidden by the arm. Easy joint installation by a simple pressure on the front bar, even on previous versions of awnings.



German Utility Model 202008011460.8

| Kit Awning Led | Feeding tension | Absorbed power | Electric input |
|----------------|-----------------|----------------|----------------|
| 98655-471 | 12 Vdc | 1 W | 0,08 A |



NEW

KIT CABLES RAIL

Kit of 2 elegant compact rails ideal to hide the supply cables in your vehicle. It takes up little space. Composed by an adhesive support for a quick and safe installation on aluminium and wood. Made of solid but flexible extruded plastic. Dimensions each rail: 1,3x0,3x122,5 cm.



| Item No. |
|-----------|
| 98655-856 |



FIAMMASTOR PLATE

Ideal for fixing front legs to the ground, in order to increase the resistance in case of strong wind and to protect the legs. Made with extra strong plastic. It is suitable for all types of Fiamma and Omnistor awning legs. Delivered with pegs. Colour: Platinum. Dimensions: 20x20 cm. Kit 2 pieces.



| Item No. | |
|-----------|--|
| 98655-724 | |



KIT AWNING HANGERS

Kit composed of 6 hooks to insert in the lead bar profile to hang light objects. Suitable also for other awning brands with 7 mm slot.



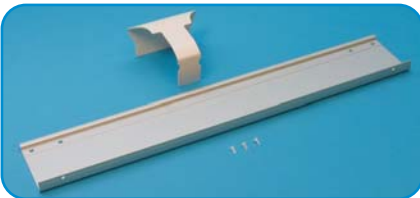
| Item No. | |
|-----------|--|
| 98655-743 | |



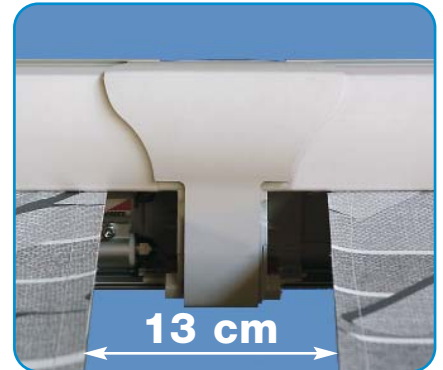
KIT DOUBLE AWNING

Cover adapter for awnings F45 Ti

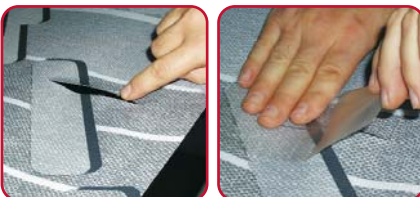
On large motorhomes it is possible to install two awnings side by side with winches on the outer ends. With the new cover adapter and the support brackets in aluminium, it is possible to join the two awnings (one standard, with winch installed on the right hand side, and one awning with winch installed on the left hand side), making them look like one single awning and improving the look of the vehicle.



German Utility Model: 202 14 909.9



| Colour | Item No. | |
|-------------|-----------|--|
| Polar White | 98655-759 | |
| Titanium | 98655-760 | |



REPAIR KIT PLUS

It is no longer necessary to replace the fabric of the awning if it gets cut! With the Repair Kit Plus from Fiamma the do-it-yourself repair is

so quick and easy! The kit includes 3 transparent PVC strips.

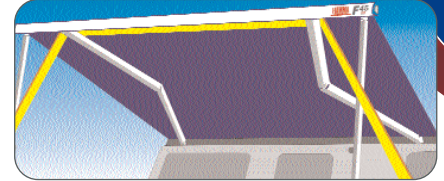
| Item No. | |
|-----------|--|
| 98655-466 | |



TIE DOWN

Useful strap to hold the awning firmly anchored to the ground in case of wind. It fits crank awnings and traditional annex up to 600cm length.

The kit includes: 11m of black or yellow adjustable band, stakes and a tension spring.



Exclusive extra-Strong stake



Tie Down yellow



Tie Down black

| Colour | Item No. |
|-----------------|-----------|
| Tie Down Yellow | 98655-128 |
| Tie Down Black | 98655-129 |



TIE DOWN S

New version for easy but sure anchoring to the lead bar of F45, F35 and Caravanstore awning and to the side panels of Privacy Room. Composed of:

- 2 black adjustable bands 300 cm long,
- 2 stakes and 2 tension spring.



| Item No. |
|-----------|
| 98655-133 |

Accessories F45 - F65 - ZIP

CRANK HANDLE

Crank handle in ultralight aluminium in versions:

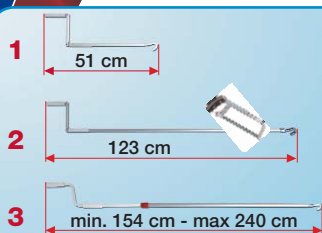
- 1) **Short:** ideal for Minivans (standard delivered with F45Ti 200cm).
- 2) **Standard:** ideal for all Motorhomes, easy to shorten (standard delivered with F45 Ti up to 400cm).

3) **Telescopic:**

telescopic crank handle with fixed handle, ideal for high motorhomes and roof awnings (standard delivered with F45Ti L, F65 and F65 S).



All Fiamma awnings are standard delivered with clips for handle storage inside the motorhome.



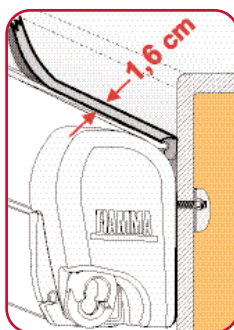
| Model | Dimensions | Item No. |
|------------|--------------------------|-----------|
| Short | 51 cm | 01756B01A |
| Standard | 123 cm | 04660-01- |
| Telescopic | min. 154 cm / max 240 cm | 03878C01- |

RAIN GUARD

Convenient rubber guard to seal the space between the Fiammastor and the vehicle wall to prevent water from infiltrating. **It is installed to the case without removing the awning.**

Rain Guard S

For awnings installed with standard AS 120 brackets on flat walls. Sold by meter.

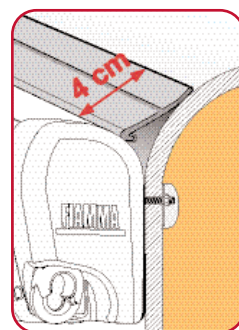


Item No.

03910-01-

Rain Guard M

For awnings, mounted with adapter spaced out from the wall (up to 4cm) or on curved walls. Sold by meter.

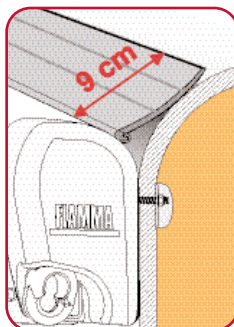


Item No.

03477-01-

Rain Guard L

For awnings, mounted with adapter spaced out from the wall (up to 9cm) or on curved walls. Sold by meter.

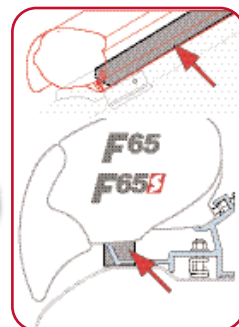


Item No.

04629-01-

Kit Rain Guard F65

For Adapters of roof awnings F65 and F65 S, it covers the whole space between the roof and the awning. 400cm long. In EDPM material.



NEW

Item No.

98655-020



SPOILER S Polar White

Design Model 402 07 150.6

SPOILER

Optional Spoiler for Fiamma awnings with an exclusive design to reduce wind resistance and also improving the aesthetics of the vehicle. Easy to adapt to other awning brands already installed on the vehicle. It can be attached on the right or the left side. It is made of ABS PLUS with coextruded UV protection. It can be easily fastened to the vehicle wall with SIKA. Colour: Polar White and Titanium.

| Model | Dimensions | Item No. |
|-------------------------------|------------|-----------|
| S - F45 Ti/Ti L - Polar White | 16x15,5 cm | 05150-01A |
| S - F45 Ti/Ti L - Titanium | 16x15,5 cm | 05150-01T |



RAFTER Caravanstore

In anodized aluminium with 30mm diameter. Standard delivered with Caravanstore 410 and 440, Caravanstore Zip 440, with F35 Pro 350, 400 and 430 cm. with Side, Side W and Side W Pro Caravanstore.

Optional for Caravanstore from 255 to 360 cm and F35 Pro from 250 to 300 cm.

Item No.

03888-01-



Caravanstore Support Leg

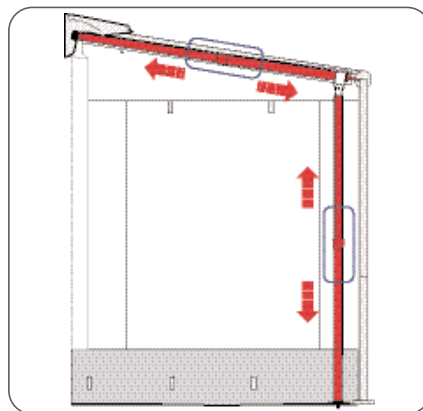
Reinforced legs developed to be fixed to the front tube of the Caravanstore to increase resistance.

Standard delivered with Caravanstore 440 and Caravanstore Zip 360, 410 and 440.

Optional for the other lengths.

Item No.

03732C01-



DOOR POLE

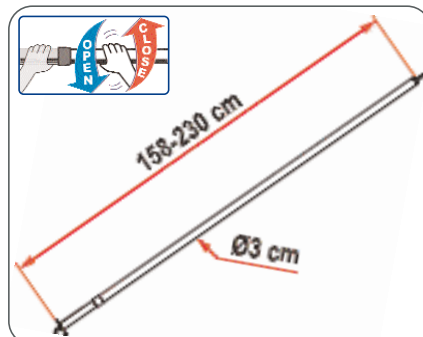
Privacy Room and ZIP frontal vertical telescopic pole

Anodized aluminium pole placed vertically to support the frontal panel allowing increased stability when the door is kept open.

Standard delivered with Privacy Room and Zip from 4,5m.

Item No.

05161-02-



Complete with installation kit for F45 no drilling required. For Caravanstore, drilling is needed.



MEGA BAG

Large strong bag, suitable for transporting goods in the storage compartment. Colour: grey. Dimension: cm 140x27x40h.

MEGA BAG LIGHT

Strong bag in light material, suitable for transporting Privacy Light. Dimension: cm 140x25x25h. Colour: black/red.

Model

Item No.

Mega Bag

03856D01-

Mega Bag Light

06052-01A



CARRY-BIKE®

pro mobil

DIE BESTEN MARKEN
2009

1. PLATZ
FIAMMA

KATEGORIE: FAHRADTRÄGER/MOTORADTRÄGER

pro mobil

pro mobil

pro mobil

DIE BESTEN MARKEN
2008

1. PLATZ
FIAMMA

KATEGORIE: FAHRADTRÄGER/MOTORADTRÄGER

pro mobil

pro mobil

pro mobil

DIE BESTEN MARKEN
2007

1. PLATZ
FIAMMA

KATEGORIE: FAHRADTRÄGER/MOTORADTRÄGER

pro mobil

pro mobil

pro mobil

DIE BESTEN MARKEN
2006

1. PLATZ
FIAMMA

KATEGORIE: FAHRADTRÄGER/MOTORADTRÄGER

pro mobil

pro mobil



CARRY-BIKE® Original CARRY-BIKE®

Everything else is just a copy

| Page | CARRY-BIKE® | | TÜV | Max load kg | C.B. Weight kg | Bikes Carries Standard | Bikes Carries Max. | Bike-Block Supplied | Rail Supplied | |
|-----------|-------------|-------------------------|----------------------------------------|-------------|----------------|------------------------|--------------------|---------------------|---------------|-----------|
| MOTORHOME | 62 | 02093-18- | Carry-Bike PRO C | ● | 60 | 7.9 | 2 | 4 | 1-3 | Quick |
| | 62 | 02093-18V | Carry-Bike Pro C N | ● | 60 | 7.4 | 2 | 4 | 1-3 | Quick |
| | 63 | 02093-17- | Carry-Bike PRO | ● | 60 | 8.4 | 2 | 4 | 1-3 | Quick |
| | 63 | 02093-17V | Carry-Bike Pro N | ● | 60 | 7.9 | 2 | 4 | 1-3 | Quick |
| | 64 | 02093F18- | Carry-Bike Premium SC | | 60 | 8.5 | 2 | 4 | 1-3 | Premium S |
| | 64 | 02093F17- | Carry-Bike Premium S | | 60 | 9 | 2 | 4 | 1-3 | Premium S |
| | 65 | 02094-01- | Carry-Bike Loop | | 60 | 10.2 | 2 | 4 | 3 | Premium |
| | 66 | 02093-87- | Carry-Bike CL | ● | 55 | 5.6 | 2 | 3 | 3 | Quick |
| | 67 | 02093-86- | Carry-Bike UL | ● | 55 | 5.6 | 2 | 3 | 3 | Quick |
| | 68 | 02093-29- | Carry-Bike PRO C Knaus-Eiffeland | ● | 60 | 8.1 | 2 | 4 | 1-3 | Quick |
| | 68 | 02093-59- | Carry-Bike L80 - Laika | ● | 60 | 7.9 | 2 | 4 | 1-3 | Quick |
| | 68 | 02093-92- | Carry-Bike EM - Eura Mobil XL | | 60 | | 2 | 4 | 1-3 | Quick |
| | 69 | 02093A64- | Carry-Bike Pro Hymer - Dethleffs | ● | 60 | 8.2 | 2 | 4 | 1-3 | Quick |
| | 69 | 02093-57- | Carry-Bike Trigano | | 50 | 5.2 | 2 | 3 | 3 | Quick |
| 69 | 02093-14- | Carry-Bike Joint | | 50 | 7.0 | 2 | 3 | 3 | Quick | |
| 70 | 02093A43- | Carry-Bike Lift 77 | ● | 60 | 16.8 | 2 | 4 | 1-3 | Quick | |
| CARAVAN | 72 | 02093-01A | Carry-Bike Caravan XL A | | 35 | 5.3 | 2 | 2 | - | Quick |
| | 72 | 02093A91- | Carry-Bike Caravan XL A PRO | | 50 | 9 | 2 | 3 | 3 | Quick |
| | 72 | 02093A32- | Carry-Bike Caravan XL A PRO 200 | | 35 | 7.5 | 2 | 2 | 2 | Quick |
| | 73 | 02093-36- | Carry-Bike Simple Plus 200 | ● | 35 | 6.4 | 2 | 2 | 1-2 | Quick |
| | 73 | 02093-76- | Carry-Bike Caravan Universal | | 35 | 7.5 | 2 | 2 | 1-2 | Quick |
| | 73 | 02093-77- | Carry-Bike Caravan Hobby | | 50 | 5.6 | 2 | 3 | 3 | Quick |
| VAN | 74 | 02093-71- | Carry-Bike VW T5 | ● | 60 | 8.3 | 2 | 4 | 1-3 | Quick |
| | 74 | 02093H01- | Carry-Bike VW T4 | ● | 60 | 8.3 | 2 | 4 | 1-3 | Quick |
| | 75 | 02093T01- | Carry-Bike VW T4 D 2 Doors | ● | 35 | 7.7 | 2 | 2 | 1-2 | Premium |
| | 75 | 02093-79- | Carry-Bike VW T5 D 2 Doors | | 35 | 7.7 | 2 | 2 | 1-2 | Premium |
| | 75 | 02093C01- | Carry-Bike VW T3 (T25) | ● | 50 | 6.5 | 2 | 3 | 1-3 | Quick |
| | 75 | 02093-63- | Carry-Bike VW T2 | | 35 | 7.0 | 2 | 2 | 1-2 | Quick |
| | 76 | 02093-65- | Carry-Bike 200 DJ Ducato | | 35 | 9.0 | 2 | 2 | 1-2 | Premium |
| | 76 | 02093A89- | Carry-Bike 200 DJ Ducato New | | 35 | 9.0 | 2 | 2 | 1-2 | Premium |
| | 76 | 02093-93- | Carry-Bike 200 DJ Mercedes Sprinter | | 35 | 9.0 | 2 | 3 | 1-3 | Premium |
| | 77 | 02093-15- | Carry-Bike 200 D | ● | 35 | 6.9 | 2 | 2 | 1-2 | Premium |
| | 77 | 02093-05- | Carry-Bike Mercedes Vito | ● | 60 | 8.7 | 2 | 4 | 1-3 | Quick |
| | 77 | 02093-75- | Carry-Bike Mercedes Viano | ● | 50 | 10 | 2 | 3 | 1-3 | Quick |
| | 78 | 02093-74- | Carry-Bike Renault Traffic D | | 35 | 7.7 | 2 | 2 | 1-2 | Premium |
| | 78 | 02093-72- | Carry-Bike Opel Vivaro-Renault Traffic | | 60 | 8.7 | 2 | 4 | 1-3 | Quick |
| 78 | 02093-60- | Carry-Bike Ford Transit | | 50 | 7.1 | 2 | 3 | 1-3 | Quick | |
| SUV | 79 | 02093B38- | Carry-Bike BACKPACK 4x4 | | 35 | 7.8 | 2 | 2 | 1-2 | Quick |
| | 79 | 02093A38- | Carry-Bike BACKPACK | ● | 50 | 8.0 | 2 | 3 | 1-3 | Quick |
| GARAGE | 86 | 02093-54- | Garage Standard | | 50 | 4.8 | 2 | 3 | 1-3 | Strip |
| | 86 | 02093-78- | Garage Plus | | 60 | 5.6 | 2 | 4 | 1-3 | Quick |
| | 87 | 04822-03- | Garage Slide Pro | | 60 | 8.4 | - | - | - | - |
| | 87 | 98656-370 | Kit Bike Slide | | 35 | 1.5 | 2 | 2 | - | Strip |
| | 88 | 02095-03- | Carry-Moto Pro | | 200 | 15.4 | - | - | - | - |
| | 88 | 02095-01- | Carry-Moto | | 200 | 12.2 | - | - | - | - |
| | 89 | 02095-04- | Carry-Moto S | | 130 | 7 | - | - | - | - |

CARRY-BIKE®

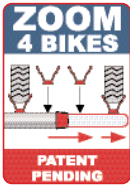


Fiamma Carry-Bike with this symbol is approved by TÜV. You can trust the certified quality from the strict German Quality Test Institute.

Carry-Bike exclusive features:



Fiamma Carry-Bike is standard delivered with 2 rails. Many models have the possibility to add the third and fourth rails in order to carry up to 4 bikes.



Carry-Bike Pro has a solid patented telescopic rail support ZOOM-4-BIKES with a thicker rounded tube and reinforced points in stainless steel and reinforcement inserts in aluminium.



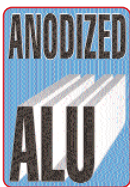
All Carry-Bike Fiamma have the double reinforced bike carrier rail and the safety strap Quick safe. Some models standard mount the Rail Premium.



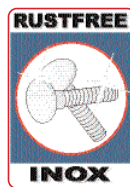
Fiamma Carry-Bike has the Bike-Block Pro, fixing kit for bicycles, anti-scratches, safer and easier, for all tubes with diam. ranging from 30 to 80mm.



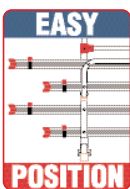
Some Fiamma Carry-Bikes are equipped with the "Bull Shock Absorber" system for shock and vibration absorption while travelling.



Fiamma Carry-Bike uses first choice anodized aluminium rounded tubes. In order to grant the resistance and the capacity in time, several Fiamma Carry-Bike models use an improved rounded frame.



Fiamma Carry-Bike uses only long life stainless steel screws.



To offset the position of the bikes, most Fiamma Carry-Bikes can install staggered rails. The rails have the mechanical blocking system to avoid the rail moving in case of braking.



Most of the Carry-Bike has safety block for bike rail supports.



Fiamma Carry-Bikes with this Logo are standard delivered with the Quick Safe the safety straps in order to block the wheel on the rail. Easy release for immediate opening.



Fiamma Carry-Bike has passed the German GS-TUV tests for the fixing brackets, for this reason it is preferred by many motorhome manufacturers who preinstall the original Fiamma brackets on their vehicles.

New carry-bike of different colours to match the colour of your motorhome (only for the model Pro and Pro C)



Red colour: it is the standard Fiamma carry bike version.



Grey colour: optional version on Fiamma carry bike, available on request. *



Black colour: optional version on Fiamma carry bike, available on request. *



Blue colour: optional version on Fiamma carry bike, available on request. *

These versions are made on special request, to know the exact availability please contact your dealer.

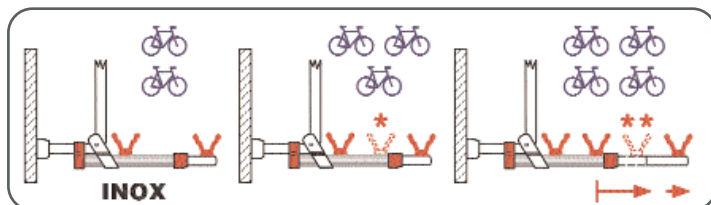
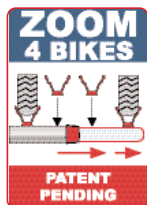
EXCLUSIVE CARRY-BIKE PRO LINE

Fiamma Carry-Bikes are produced at our factory in Cardano al Campo, Italy, using the latest technology



The Carry-Bike Pro is recommended by expert campers

German Patent 44 27 450.5



Patented telescopic rail support

ZOOM 4 BIKES

The Carry-Bike Pro is recommended by industry experts because it is the strongest bike carrier on the market. Its solid telescopic rail support offers the best way to fasten it to the motorcaravan wall.

It is the only one with patented ZOOM 4 BIKES rail support.



To offset the position of the bikes, most Fiamma Carry-Bikes can install staggered rails. The rails have the mechanical blocking system to avoid the rail moving in case of braking.

Exclusive Carry-Bike Pro Line

Patented telescopic rail support. The only rail support structure with a thicker rounded tube. Rail support structure with reinforced points in stainless steel and reinforcement inserts in aluminium. Exclusive and patented Bull Shock Absorber to guarantee maximum resistance to vibrations.

BULL - SHOCK ABSORBER



New system of shock and vibration absorption while travelling

German Utility Model: 20 2004 008 369.8
German Patent: 198 39 919.7-21
European Patent : 05 011 144.2-2421



UPPER BRACKETS
New and attractive covers for the upper brackets, standard delivered



To be on the safe side!

The Fiamma Carry-Bike has passed the German GS-TUV tests for both the fixing brackets and the carrying structure.

These tests are very strict and are continuously updated to comply with current legislation.

For this reason the Fiamma Carry-Bike is preferred by many motor home constructors who preinstall the original Fiamma fixing brackets on their vehicles.

Warning: On the market there are copies of Fiamma bike carriers by other manufacturers that sometimes are installed to the original Fiamma fixing brackets. For the security of people who travel Fiamma highly recommends that you verify that only the original Fiamma Carry-Bike with the GS-TUV label is mounted on the preinstalled Fiamma fixing brackets.



CARRY-BIKE® PRO C

The compact classic bike carrier, universal for all walls.



It is installed under the rear window while still allowing it to open.



The short version of the Pro line is installed under the rear window while still allowing it to open. The Carry-Bike Pro C can be installed on all kinds of motorhomes. It is highly recommended by experts in the industry as the strongest bike carrier on the market. Delivered with patented ZOOM 4 BIKES rail support that can carry two extra rails.

Carries up to 60 Kg.

Supplied with:

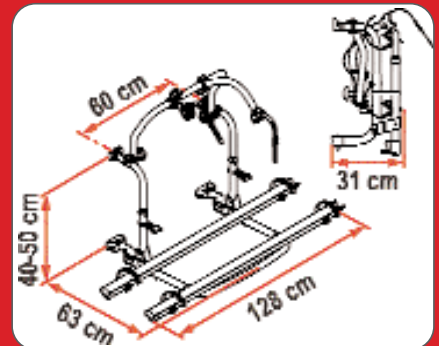
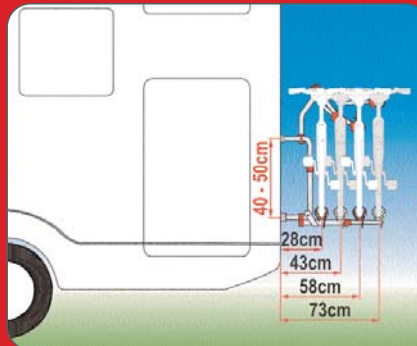
- 2 Rails Quick,
- Bike-Block Pro 1 and 3,
- 2 Rack Holder
- Security Strip.

Special version "N" available, supplied without upper and lower fixing kits, as these brackets are already preinstalled on the vehicles Sea 08, Chausson, Challenger and MC Louis.

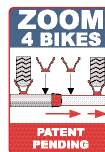
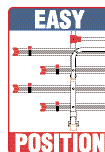
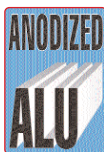
German Patent: 44 27 450.5



Carry-Bike Pro C



Carry-Bike Pro C with the rounded rail structure



| Item No. | Description |
|-----------|-----------------------------------------------------------------------------------------------------------------|
| 02093-18- | Pro C with 2 Rail Quick Red and Bike-Block Pro 1 and 3 |
| 02093-18V | Pro C N with 2 Rail Quick and Bike-Block Pro 1 and 3 For installation onto the pre-installed brackets |
| 98656-097 | Rail Quick supplementary 128 cm rail |
| 04133A01- | Bike-Block Pro 2 supplementary |
| 04133C01- | Bike-Block Pro 4 supplementary |



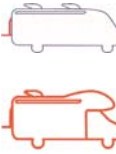
CARRY-BIKE PRO C with 2 supplementary Rail Quick.

CARRY-BIKE® PRO



CARRY-BIKE PRO with 2 Rails Quick Red and 2 Bike-Block Pro Red supplementary

German Patent: 44 27 450.5



The telescopic Bike Carrier.

The longer version of PRO Line allows highly adjustable upper structure for better stability. The Carry-Bike Pro is recommended as the strongest bike carrier on the market with telescopic structure in rounded tube that is easily adjustable from 80 to 150cm high to suit different installation possibilities. Delivered with patented ZOOM 4 BIKES rail support that can carry two extra rails.

Carries up to 60 Kg.

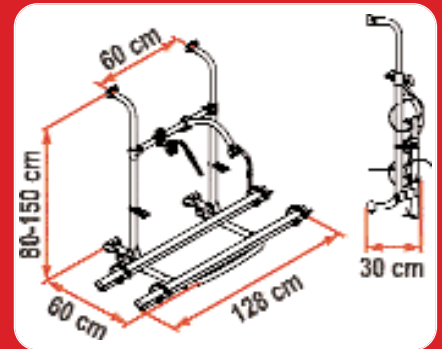
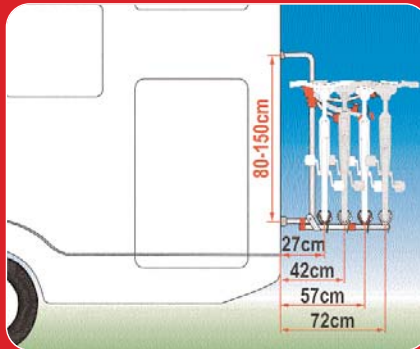
Supplied with:

- 2 Rails Quick,
- Bike-Block Pro 1 and 3,
- 2 Rack Holder,
- Security Strip.

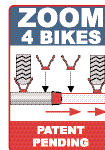
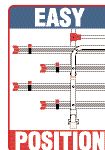
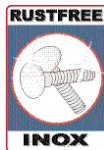
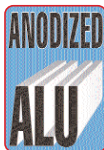
Special version "N" available, supplied without upper and lower fixing kits, as these brackets are already preinstalled on the vehicles Sea 08, Chausson, Challenger and MC Louis.



Carry-Bike Pro



Carry-Bike Pro with the rounded structure



CARRY-BIKE PRO with 2 supplementary Rail Quick.

| Item No. | Description |
|-----------|---------------------------------------------------------------------------------------------------------------|
| 02093-17- | Pro with 2 Rail Quick and Bike-Block Pro 1 and 3 |
| 02093-17V | Pro N with 2 Rail Quick and Bike-Block Pro 1 and 3 For installation onto the pre-installed brackets |
| 98656-097 | Rail Quick supplementary 128 cm |
| 04133A01- | Bike-Block Pro 2 supplementary |
| 04133C01- | Bike-Block Pro 4 supplementary |



NEW

CARRY-BIKE® PREMIUM S



Innovative version of the well-known Pro- line of Fiamma Carry-Bike with the new sliding and adjustable rails.

Equipped with the new elegant rail Premium S which is sliding, staggered and wheelbase among bikes is adjustable granting a comfortable and perfect positioning of the bikes. The upper brackets can be adjusted at different heights to adapt themselves to different installations. It has the patented telescopic ZOOM-4-BIKES that can carry two extra rails Premium S to transport up to 4 bikes. It carries up to 60 kg. Two versions available :

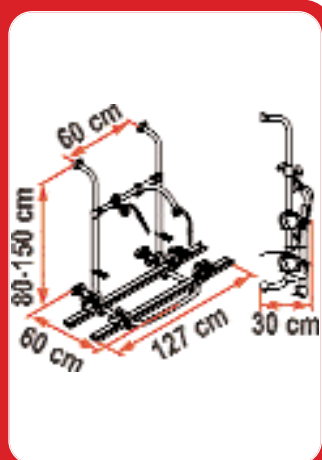
Carry-Bike Premium S for installation above the rear window of the vehicle.

Carry-Bike Premium SC for installation below the rear window of the vehicle. Supplied with 2 Rail Premium S, Bike-Block Pro 1 and 3, 2 Rack Holders and Security Strip. Standard delivered with installation kit.

Carry-Bike

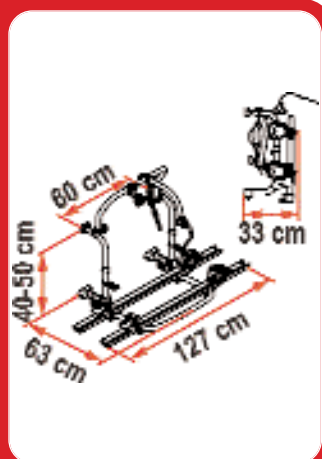


PREMIUM S



New Carry-Bike Premium S

PREMIUM SC



New Carry-Bike Premium SC



With the new sliding and adjustable rails.

| Item-No. | Description |
|-----------|--------------------------------------------------------------------|
| 02093F18- | Premium SC with 2 Rail Premium S and Bike-Block Pro 1 and 3 |
| 02093F17- | Premium S with 2 Rail Premium S and Bike-Block Pro 1 and 3 |
| 98656-656 | Rail Premium S supplementary |
| 04133A01- | Bike-Block Pro 2 supplementary |
| 04133C01- | Bike-Block Pro 4 supplementary |



CARRY-BIKE® LOOP



New Carry-bike Loop with increased structure Ø 40 mm



The carry-bike with rounded design

New generation of Fiamma carry-bike with an innovative and modern design to fit on new motorhome designs. Carry-bike Loop has a reinforced part with a 40 mm diameter.

The structure can be regulated at different heights (min 58 max 95 cm) to adapt to different kind of installations.



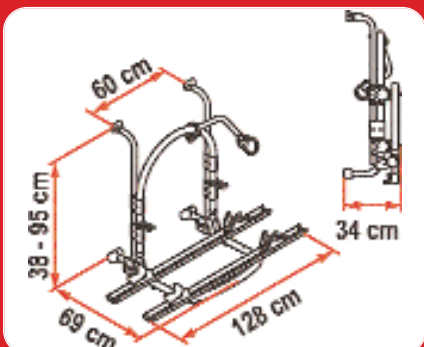
It has a solid patented telescopic ZOOM-4-BIKES rail support that can carry two extra rails to transport up to 4 bikes.

Supplied with:

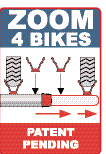
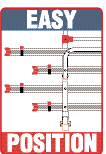
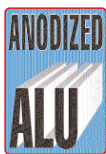
- 2 Rail Premium,
- 1 Strip,
- 1 Bike-Block Premium 3,
- 1 Cable Lock 250 cm.



German Patent 10 2008 044 702.1, European Design Patent 991138

Carry-bike Loop, the bike carrier for a new generation



| Item No. | Description |
|-----------|-------------------------------------------------------------------|
| 02094-01- | Loop with 2 Rail Premium, 1 Strip and Bike-Block Premium 3 |
| 98656-201 | Supplementary Rail Premium |
| 05939A01- | Supplementary Bike-Block Premium 2 |
| 05939C01- | Supplementary Bike-Block Premium 4 |



Carry-Bike Loop with two extra staggered rails

CARRY-BIKE® CL

Carry-Bike



The strong, inexpensive and compact line of bike carriers

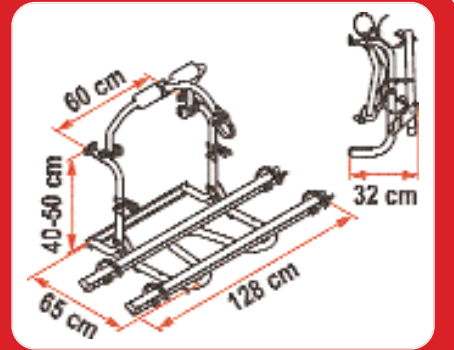
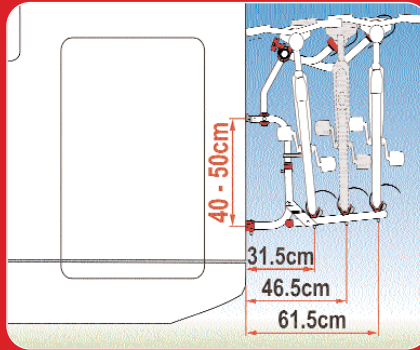
Adaptable to most vehicles and can also be installed under the motorhome rear window. The solid yet light anodized aluminium structure is telescopic and adjustable from 40 to 50 cm. It's set to carry two bikes but can be adapted for a third bike by adding the supplementary Rail Quick 128 Red. Carries up to 55 kg.

Supplied with:

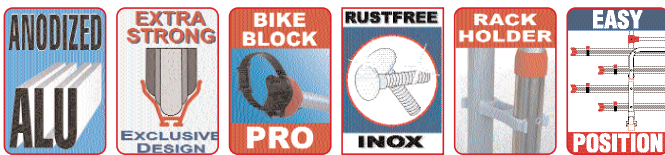
- 2 Rail Quick Red,
- 1 fastening strip for first bike,
- 1 bike Block Pro 3,
- 2 Rack Holder,
- 1 Security Strip.

CARRY-BIKE CL can also be installed under the motorhome rear window

German Utility Model: 20 2005 012 346.3



Carry-Bike CL with reinforced rail support



CARRY-BIKE CL with 1 Rail Quick and 1 Bike-Block supplementary

| Item No. | Description |
|-----------|-------------------------------------------------------------|
| 02093-87- | CL with 2 Rail Quick Red, Bike-Block Pro 3 and Strip |
| 98656-097 | Rail Quick supplementary 128cm rail |
| 04133-01- | Bike-Block Pro 1 supplementary |
| 04133A01- | Bike-Block Pro 2 supplementary |

CARRY-BIKE® UL



CARRY-BIKE UL with telescopic structure



The classic, affordable and economic line of bike carriers.

It is adaptable to most vehicles.

The solid yet light anodized aluminium structure is telescopic and adjustable from 80 to 150 cm.

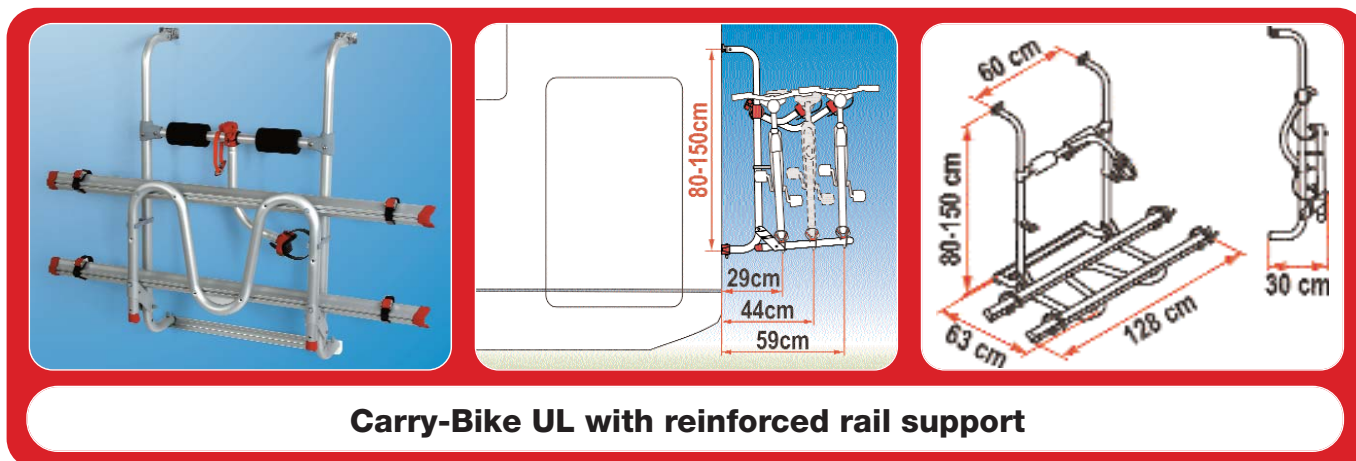
It is made to carry two bikes but can be adapted to take a third bike by adding the supplementary Rail Quick Red.

Carries up to 55 kg.

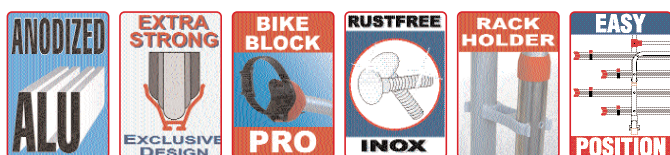
Supplied with:

- 2 Rail Quick Red,
- 1 fastening strip for 1st bike,
- 1 bike Block Pro 3,
- 2 Rack Holder,
- 1 Security Strip.

Italian Patent: 1226668
German Utility Model: 20 2005 012 346.3



Carry-Bike UL with reinforced rail support



| Item No. | Description |
|-----------|-------------------------------------------------------------|
| 02093-86- | UL with 2 Rail Quick Red, Bike-Block Pro 3 and Strip |
| 98656-097 | Rail Quick supplementary 128cm rail |
| 04133-01- | Bike-Block Pro 1 supplementary |
| 04133A01- | Bike-Block Pro 2 supplementary |



CARRY-BIKE UL with 1 Rail Quick and 1 Bike-Block supplementary

Other models from the Pro C Line:

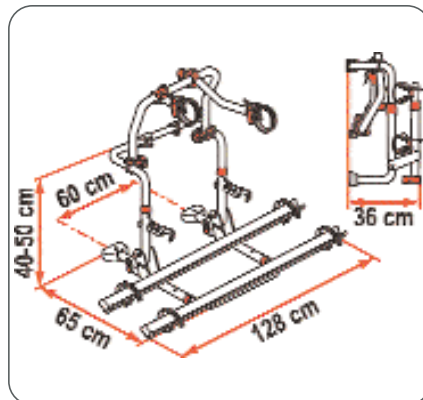


PRO C KNAUS - EIFFELAND

Special version of bike carrier Pro C complete with entire upper structure, suitable for Knaus motorhomes and Eiffeland Caravans. TÜV approved. Supplied with:

- 2 Rail Quick 128 Red,
- 2 Bike-Block Pro Red (1 and 3),
- 2 Rack Holder,
- 1 Security Strip,

Optional: Rail Quick Red, Bike-Block Pro 2 and 4 Red for the supplementary bikes.



Italian Patent: 01239907
European Patent: 455074
European Patent P.: 201-20421.5



| | |
|-----------|--|
| Item No. | |
| 02093-29- | |

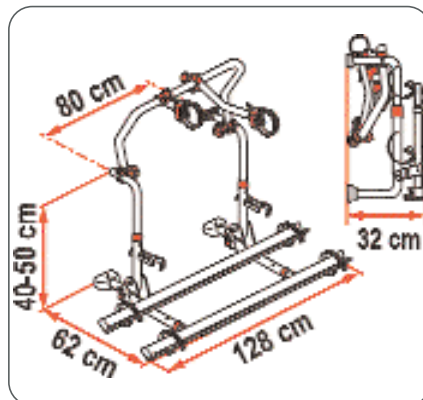


L80 - LAIKA

Special version of bike carrier Pro C with 80cm wheelbase, suitable for Laika motorhomes. TÜV approved. Supplied with:

- 2 Rail Quick 128 Red,
- 2 Bike-Block Pro Red (1 and 3),
- 2 Rack Holder,
- 1 Security Strip.

Optional: Rail Quick 128 Red, Rail Quick 140 Red, Rail Quick 200 Red, Bike-Block Pro 2 and 4 Red for the supplementary bikes.



Italian Patent: 01239907
European Patent: 455074
European Patent P.: 201-20421.5



| | |
|-----------|--|
| Item No. | |
| 02093-59- | |

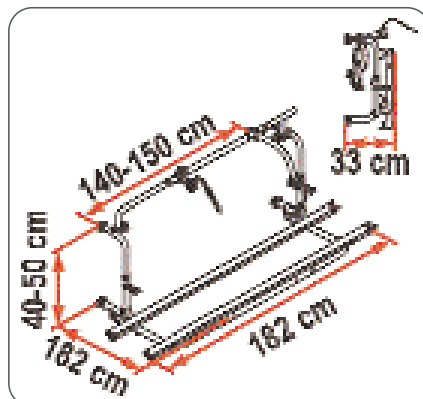


EM - EURA MOBIL XL

Bike carrier Pro C in special version blue with wheel-base 140/150cm. TÜV approved. Supplied with:

- 2 Rail Quick 180 Blue,
- 2 Bike-Block Pro Blue (1 and 3),
- 2 Rack Holder,
- 2 Security Strip.

Optional: Rail Quick 180 Blue (Item No. 98656-511), Bike-Block Pro 2 Red and Bike-Block Pro 4 Red for the supplementary bikes.



| | |
|-----------|--|
| Item No. | |
| 02093-92- | |

Other models from the Pro line:

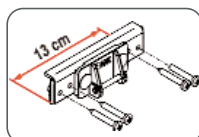


PRO HYMER - DETHLEFFS

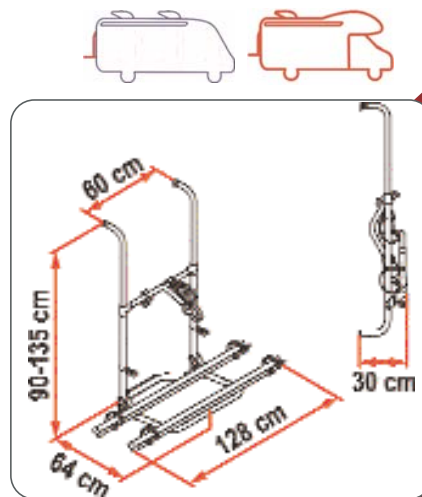
Bike carrier Pro in blue version, suitable for the Hymer motorhomes with preinstalled upper fixing brackets. TÜV approved. Supplied with:

- 2 adapter kits for fixing brackets HymerCamp,
- 2 Rail Quick Blue,
- 2 Bike-Block Pro Blue (1 and 3),
- 2 Rack Holder and
- 1 Security Strip.

Optional: Rail Quick Blue, Bike-Block Pro 2 and 4 Blue for the supplementary bikes.



For Dethleffs motorhomes, the upper brackets kit, adjustable to the standard installed brackets, is available on demand.



Italian Patent: 01239907
European Patent: 455074
European Patent P.: 201-20421.5

| Model | Item No. |
|------------------|-----------|
| Carry-Bike Hymer | 02093A64- |
| Kit Dethleffs | 98656-640 |

Other models from the CL line:

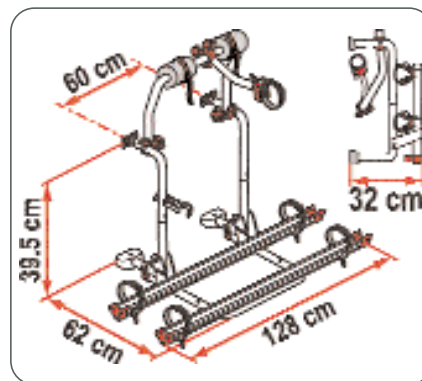


TRIGANO

The bike carrier is provided with a fixed structure and height of 39,5 cm. It comes without the upper and lower fixing kit, **with wheelbase of 60 cm.**, that is **already installed only on the CI and Roller Team motorhomes.**

- Supplied with:
- 2 Rail Quick Red,
 - 1 Bike-Block Pro 3 Red,
 - 1 Rack Holder,
 - 1 Security Strip.

Optional: Rail Quick Red and Bike-Block Pro 1 and 2.



| Item No. |
|-----------|
| 02093-57- |

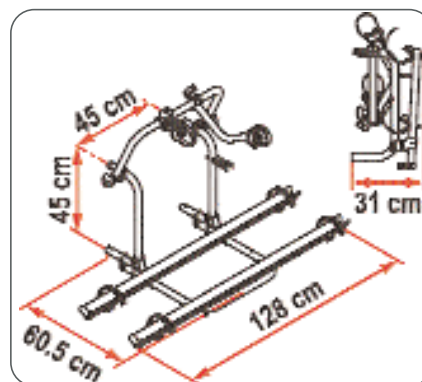


JOINT

The bike carrier is provided of a fixed structure and height of 45cm. It comes without the upper and lower fixing kit (**with wheelbase of 45 cm**) that is **already installed only on the Joint motorhomes.**

- Supplied with:
- 2 Rail Quick Red,
 - 2 Bike-Block Pro Red (1 and 3),
 - 1 Rack Holder,
 - 1 Security Strip.

Optional: Rail Quick Red and Bike-Block Pro 2 Red for the supplementary bike.



| Item No. |
|-----------|
| 02093-14- |

CARRY-BIKE® LIFT 77

Carry-Bike



The only Carry-Bike Lift with security belts that carries up to 4 bikes

This unique bike carrier is the only one on the market TÜV approved that enables the winch system to lower as much as 77cm, thereby enabling the bikes to be loaded easily. No accidental unhooking thanks to the Extra-Large safety straps which carry up to 60 Kg. Thanks to its easy-to-operate winch mechanism and crank handle, it lifts and lowers the bicycles conveniently and without effort. It is made of sturdy galvanized aluminium tubes \varnothing 35mm with steel screws. Wall fixing points with vertical wheelbase from 68 to 108cm. It's set to carry two bikes but can be adapted for four bikes.

Supplied with:

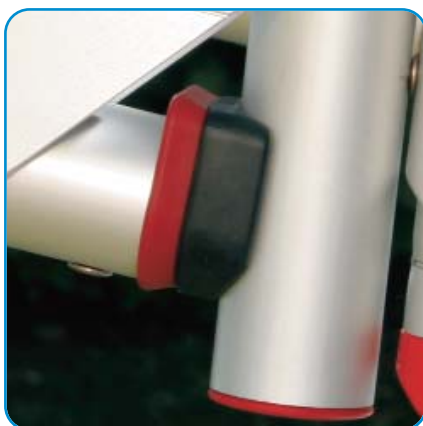
- 1 Handle,
- 2 Rail Quick Red,
- 2 Bike-Block Pro Red (1 and 3),
- 2 Rack Holder,
- 1 Security Strip.

The unique bike carrier that enables the winch system to lower as much as 77cm

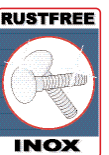
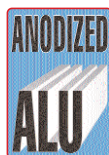
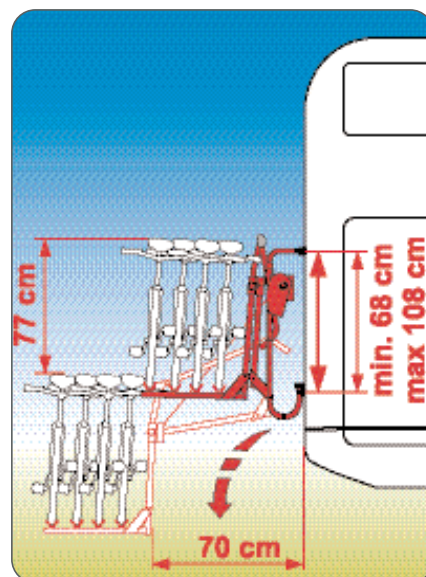
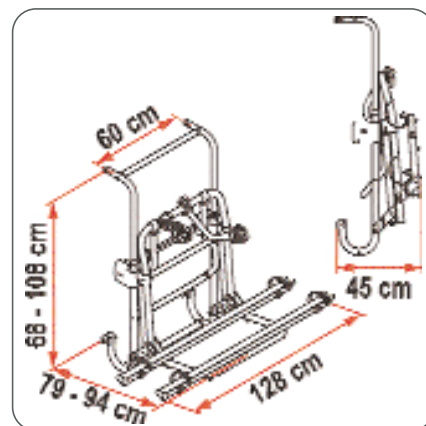
German Patent: 198 39 919.7



Carry-Bike Lift with 2 Rail Quick, Bike-Block 1 and 3 included



Bull Shock Absorber



| Item No. | Description |
|-----------|-----------------------------------------------------------|
| 02093A43- | Lift 77 with 2 Rail Quick Red, Bike-Block Pro 1 and 3 Red |
| 98656-097 | Supplementary Rail Quick Red |
| 04133A01- | Supplementary Bike-Block Pro 2 Red |
| 04133C01- | Supplementary Bike-Block Pro 4 Red |



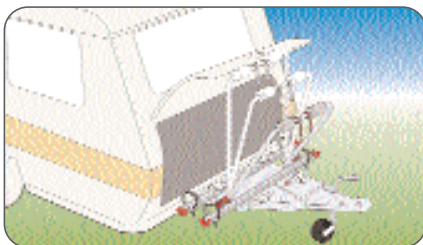
NEW

CARAVAN

The only bike carrier for the Caravan A-frame, with safety straps Quick Safe



Carry-Bike



Pivots to allow access to the storage compartment.

CARAVAN XL A

Inexpensive and compact.

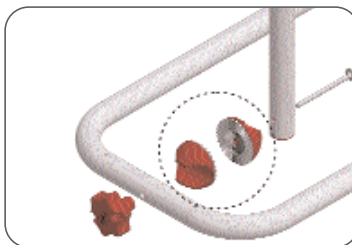
Fits all caravans with standard A frame, HOBBY type with extended frame and new ALKO frame.

Carries 2 bikes.

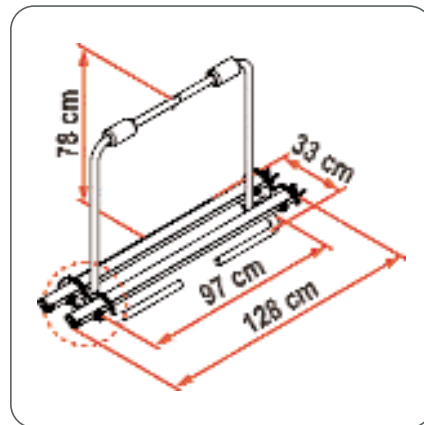
Pivots forward allowing access to the storage compartment.

The installation does not require drilling.

Supplied with: 2 Rail Quick and 2 fastening Strips to fix the bikes.



New aluminium blocking system of rail support base for better stability



| | |
|----------|-----------|
| Item No. | |
| | 02093-01A |

NEW



Carry-Bike Caravan XL A PRO

CARAVAN XL A PRO

New improved version of bike carrier for Caravan of XLA PRO line.

Balancing upper part allows to open the storage compartment even with the bikes mounted.

Quick and convenient bike loading.

Provided with reinforced bar. A

Two models available:

XL A PRO: carries 2 bikes, but preset to fix the third optional rail.

Supplied with:

- 1 Rail Quick,
- 2 Mini-Rail Quick,
- 1 Security Strip,
- 1 Bike Block Pro 3 Red for the second bike.

Optional: Rail Quick, Bike Block Pro 2 for the third bike.

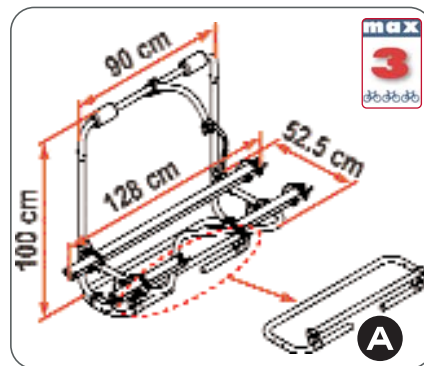
XL A PRO 200: carries 2 bikes.

Smaller size for short drawbars.

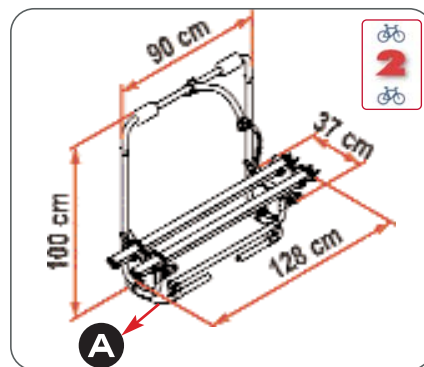
Supplied with:

- 2 Rail Quick,
- 1 Strip,
- 1 Bike Block Pro 2 Red.

| Model | Item No. |
|----------------------|-----------|
| Caravan XL A PRO | 02093A91- |
| Caravan XL A PRO 200 | 02093A32- |



Carry-Bike Caravan XL A PRO



Carry-Bike Caravan XL A PRO 200

CARAVAN

The complete range of bike carriers for caravan rear walls



SIMPLE PLUS 200

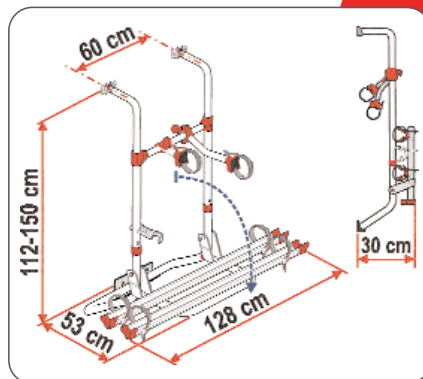
Suitable for mounting on caravans with weak and curved rear walls.

Installed by using the existing walls reinforcement points. The upper brackets are positioned in the rail over the rear window. The standard delivered lower bracket is fixed to the lower wall reinforced points. Telescopic frame. For 2 bikes. Carries up to 35kg.

Supplied with:

- 2 Rail Quick,
- 2 Bike-Block Pro Red (1 and 2),
- 1 Rack Holder.

The upper brackets of Simple Plus 200 do not require drilling through the wall



Item No.

02093-36-



CARAVAN UNIVERSAL

It is fixed to the caravan frame (Bürstner, Chateau etc.).

Upper and lower brackets are installed by using self-tapping screws.

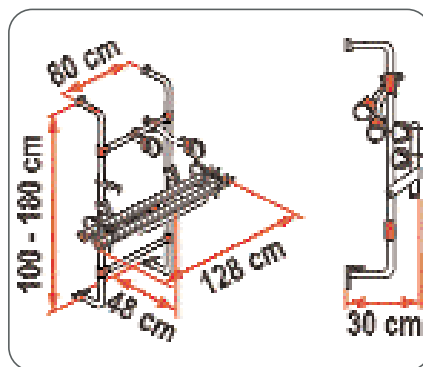
Telescopic frame.

Adjustable from 100 to 180 cm.

Maximum weight allowed for transportation 35kg.

Supplied with:

- 2 Rail Quick,
- 2 Bike-Block Pro Red (1 and 2),
- 1 Rack Holder.



Item No.

02093-76-



CARAVAN HOBBY

Suitable for mounting on the rear wall of Hobby Caravans, produced after 2003.

The special upper brackets are standard delivered and positioned under the rail of the rear window. The standard delivered lower fixing kit is a central bracket.

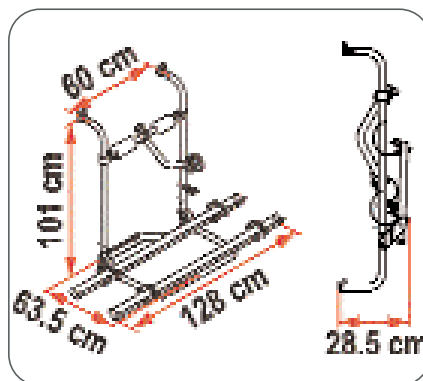
Maximum weight allowed for transportation 50kg.

Colour: Blue.

Supplied with:

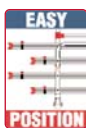
- 2 Rail Quick,
- 1 Bike-Block Pro 3 Blue,
- 1 Strip Blue,
- 1 Rack Holder.

Upper brackets are standard delivered



Item No.

02093-77-





Easy installation, without drilling the vehicle: best seller for VWT5 and VWT4



Carry-Bike VW T5 with 2 Rail Quick



VW T5

After 07/2003

Bike carrier specially designed for Volkswagen T5 with single rear door. Easy installation with the standard delivered brackets, without drilling the vehicle.

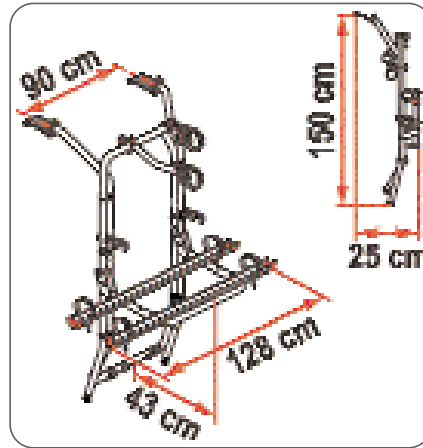
Supplied with:

- 2 Rail Quick Red,
- 2 Bike-Block Pro Red (1 and 3),
- 2 Rack Holder,
- 1 Security Strip.

Optional: Rail Quick Red, Bike-Block Pro 2 and 4 Red for the supplementary bikes.

The CB VW T5 can be installed on the following vehicles:

- VW California
- VW Multivan



| Item No. |
|-----------|
| 02093-71- |



VW T4

After 1991

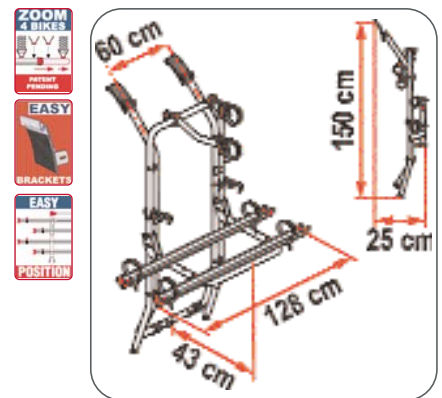
Bike carrier specially designed for Volkswagen T4 with single rear door. Easy installation with the standard delivered brackets, without drilling the vehicle. Supplied with:

- 2 Rail Quick Red,
- 2 Bike-Block Pro Red (1 and 3),
- 2 Rack Holder,
- 1 Security Strip.

Optional: Rail Quick Red, Bike-Block Pro 2 and 4 Red for the supplementary bikes.

The CB VW T4 can be installed on the following vehicles:

- VW California •VW Coach
- VW Caravelle •VW Multivan

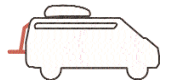


| Item No. |
|-----------|
| 02093H01- |





Easy installation, without drilling the vehicle



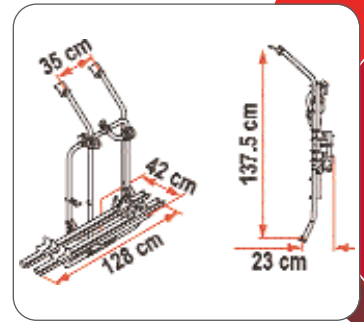
VW T4 D

Bike carrier specially designed for Volkswagen T4 with double rear door. Easy installation with the standard delivered brackets, without drilling the vehicle.

- Supplied with:
- 2 Rail Premium,
 - 2 Bike-Block Pro Red (1 and 2),
 - 1 Rack Holder
 - 1 Security Strip.

Item No.

02093T01-



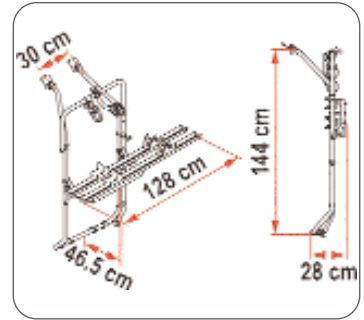
VW T5 D

Bike carrier specially designed for Volkswagen T5 with double rear door. Easy installation with the standard delivered brackets, without drilling the vehicle.

- Supplied with:
- 2 Rail Premium,
 - 2 Bike-Block Pro Red (1 and 2),
 - 1 Rack Holder,
 - 1 Security Strip.

Item No.

02093-79-



VW T3 (T25)

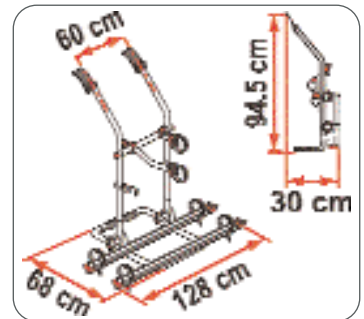
After 1980

Supplied with:

- 2 Rail Quick Red,
- 2 Bike-Block Pro Red (1 and 3),
- 1 Rack Holder,
- 1 Security Strip.

Item No.

02093C01-



VW T2

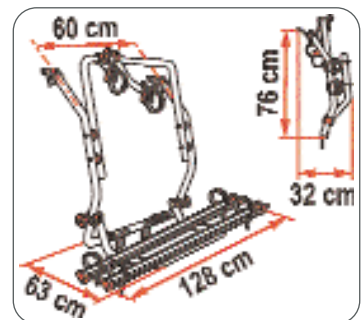
Before 1980

Supplied with:

- 2 Rail Quick C Red,
- 2 Bike-Block Pro Red (1 and 2),
- 1 Security Strip.

Item No.

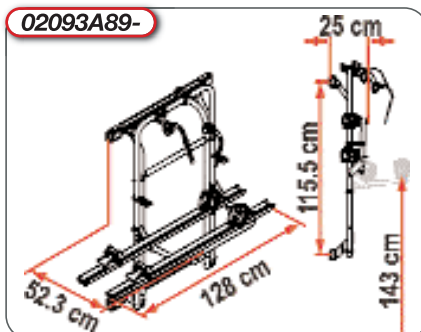
02093-63-



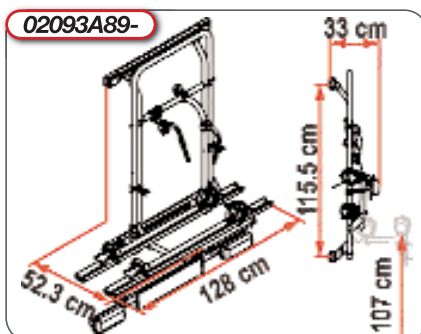


02093A89-

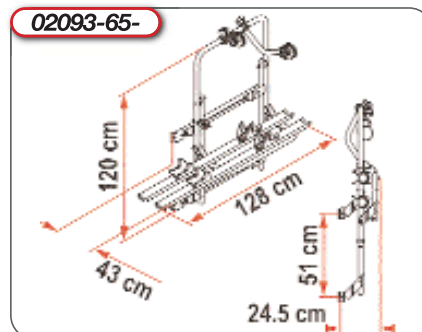
Carry-Bike 200 DJ Fiat Ducato after 06/2006



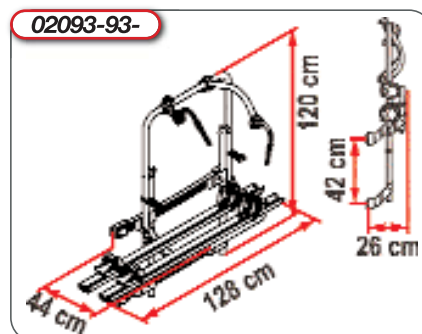
Carry-Bike 200 DJ Fiat Ducato after 06/2006, standard rail support base



Carry-Bike 200 DJ Fiat Ducato after 06/2006, lower rail support base



Carry-Bike 200 DJ Fiat Ducato before 06/2006



Carry-Bike 200 DJ Mercedes Sprinter after 06/2006

200 DJ

Bike carrier for vans with double rear doors. It is not necessary to drill holes in the vehicle, except for the security screws. The rear door can be opened without removing the bicycles. Can be combined with the Deluxe 6 DJ ladder (page 99). New and improved version allowing the installation of the rail support base in two different positions, one standard and one lower to make it easier to load the bikes. Lower version must be used together with the number plate holder bar with regulation lights, Licence Plate Carrier (see below). Supplied with: 2 Rail Premium, 2 Bike-Block Pro Red (1 and 2), 1 Rack Holder, 1 Security Strip, installation bracket and Fixing-Bar.

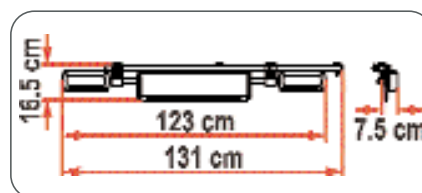
The CB 200 DJ (Item No. 02093-65-) can be installed on the following vehicles:

- Fiat Ducato after 2000
- Peugeot Boxer after 2000
- Citroën Jumper/Relay after 2000
- Mercedes Sprinter before 06/2006
- Ford Transit after 2000

Warning: the Carry-Bike 200 DJ has to be installed on the right side and the ladder on the left side of the rear doors.

| Model | Item No. |
|-----------------------------------------------------------|-----------|
| Carry-Bike 200 DJ Fiat Ducato before 06/2006 | 02093-65- |
| Carry-Bike 200 DJ Fiat Ducato after 06/2006 | 02093A89- |
| Carry-Bike 200 DJ Merc. Sprinter/VW Crafter after 06/2006 | 02093-93- |

LICENCE PLATE CARRIER



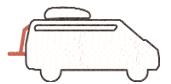
Number plate holder bar with regulation lights. Ideal to be installed on Carry-bikes with double rear doors, when the rail support covers the lights and the number plate of the vehicle; easy to install on the Carry-bike's rail support with the standard delivered brackets. The bar turns 90° to be correctly positioned both on the open and closed rail support. Complete of 13 poles socket for a rapid connection to the electric installation of the vehicle. Composed of sturdy anodized aluminium tubes.

Dimensions: 131x16,5x7,5 cm.

| Item No. |
|-----------|
| 06146-01- |

VAN

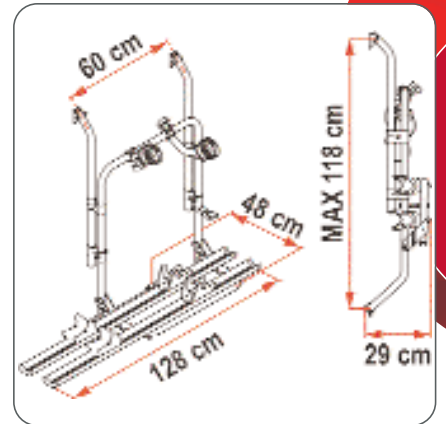
Easy installation, without drilling the vehicle



200 D

Bike carrier for vans with double rear doors, wheelbase variable from 58 to 62cm to adapt to different rear doors. Upper wall installation steel brackets are only 34mm wide. Supplied with:

- 2 Rail Premium,
- 2 Bike-Block Pro Red (1 and 2),
- 1 Rack Holder,
- 1 Security Strip.



The CB 200 D can be installed on the following vehicles:

- Fiat Ducato before 1999
- Peugeot J5 before 1999
- Peugeot Boxer
- Ford Transit
- Ford Transit high roof
- Mercedes MB 100
- Citroën Jumper
- Citroën C25 before 1999
- VW LT
- VW LT high roof

Item No.

02093-15-



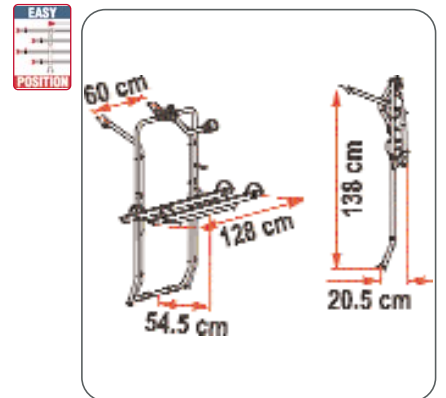
MERCEDES VITO

Before 2004

Bike carrier specially made for Mercedes Vito with single rear door. Easy installation with the standard delivered brackets, without drilling the vehicle.

Supplied with:

- 2 Rail Quick Red,
- 2 Bike-Blocks Pro Red (1 and 3),
- 1 Rack Holder,
- 1 Security Strip.



Item No.

02093-05-

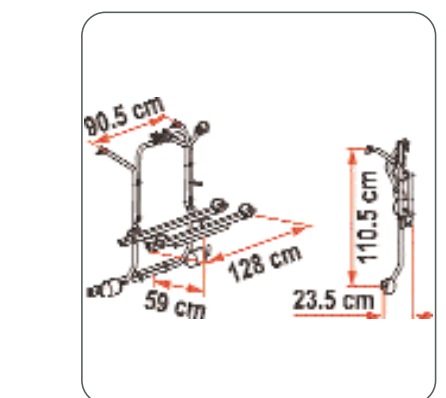


MERCEDES VIANO

Bike carrier specially made for Mercedes Viano with single rear door, also suitable for Mercedes Vito after 2004.

Easy installation with the standard delivered brackets, without drilling the vehicle. Standard delivered with:

- 1 Plate for carrying licence plate with control lighting.
- 1 Electric 13 pole connection and lamps,
- 2 Bike-Blocks Pro Black 1 and 3,
- 2 Rail Quick Black,
- 1 Rack Holder and Security Strip.



Item No.

02093-75-

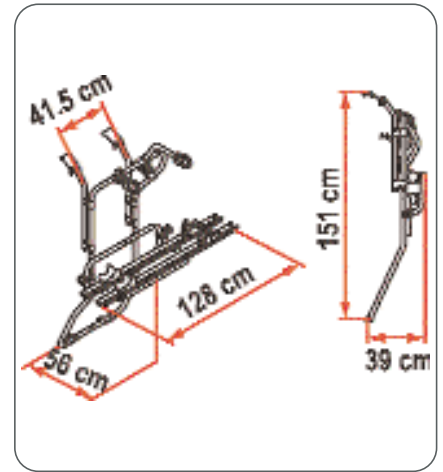
VAN



RENAULT TRAFIC D

Bike carrier suitable for Renault Traffic D and Opel Vivaro with double rear doors. It is easily installed without having to drill holes in the vehicle. Supplied with:

- 2 Rail Premium,
- 2 Bike-Block Pro Red (1 and 2),
- 1 Security Strip.



| Item No. | |
|-----------|--|
| 02093-74- | |

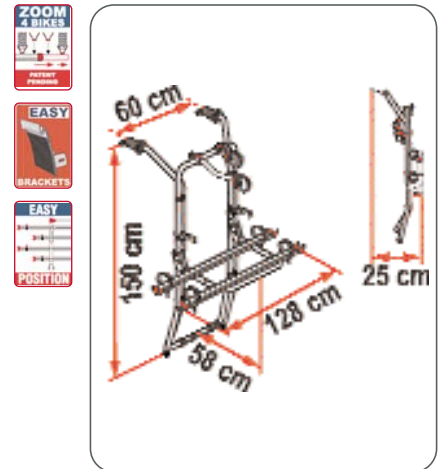


OPEL VIVARO - RENAULT TRAFIC

Bike carrier specially made for Opel Vivaro and Renault Traffic with single rear door. Easy installation with the standard delivered brackets, without drilling the vehicle. Standard delivered with:

- 2 Rail Quick Red,
- 2 Bike-Block Pro Red (1 and 3),
- 2 Rack Holder,
- 1 Security Strip.

The use of plate for carrying licence plate with control lighting is suggested (page 76).



| Item No. | |
|-----------|--|
| 02093-72- | |

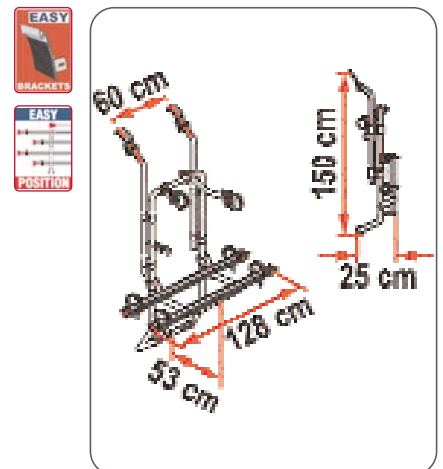


FORD TRANSIT

Bike carrier suitable for all Ford Transit models after 2000 with rear door. Installation without drilling.

Standard delivered with:

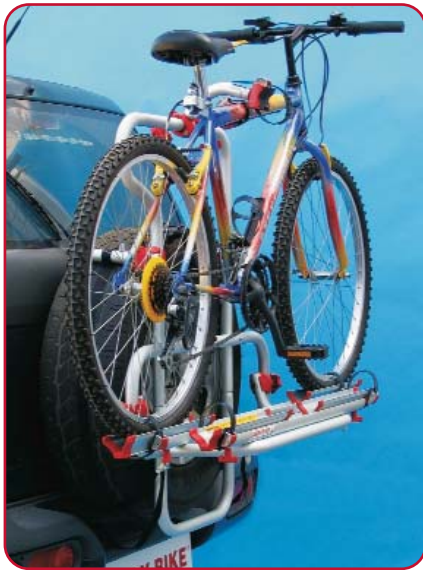
- 2 Rail Quick Red,
- 2 Bike-Block Pro Red (1 and 3),
- 2 Rack Holder,
- 1 Security Strip.



| Item No. | |
|-----------|--|
| 02093-60- | |

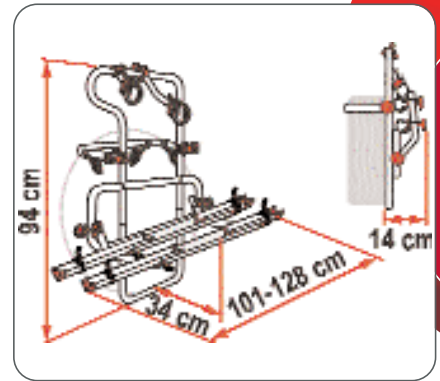
SUV

The Carry-Bikes for 4x4, minivans and cars



BACKPACK 4X4

Ultra-versatile version for minivans. Rapid installation to the rear spare tyre thanks to sturdy straps. It is necessary to remove the rigid cover of the spare tyre. Be careful not to cover the lights and number plate. Carries 2 bikes. Folding rail support base. Supplied with:
 - 2 Rail Strip C Red,
 - 2 Bike-Block Pro Red (1 and 2),
 - 1 Security Strip.
Optional: Licence Plate Carrier (pag. 76).

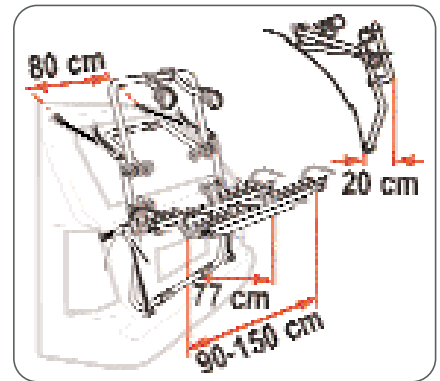
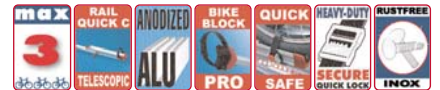


Item No.
02093B38-



BACKPACK

The carry-bike with universal straps is easily installed on all minivans. Be careful not to cover the lights and number plate. Not suitable for fibreglass rear doors. No tools are required for the installation, 6 superior Heavy Duty Quick Lock straps secure the bike carrier to the vehicle. Sturdy anodized aluminium tubes. Inox steel screws. Carries 2 bikes, but with the option to fit a 3rd rail. Carries up to 50kg. Supplied with:
 - 2 telescopic Rail Quick C Black,
 - 2 Bike-Block Pro Black (1 and 3),
 - 1 Security Strip.
Optional: Rail Quick C Black (Item No. 98656-369) and Bike-Block Pro 2 Black.

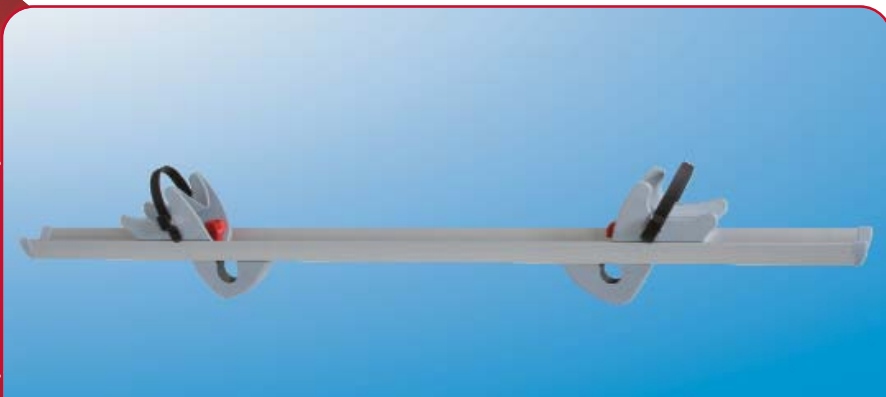


Item No.
02093A38-

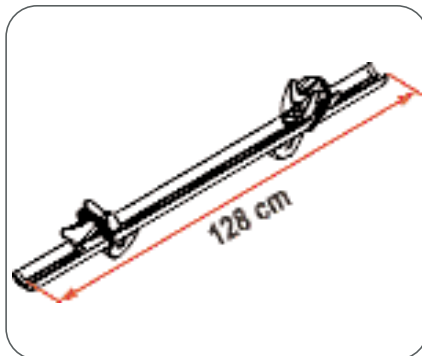
Consult your dealer to verify correct installation.



RAIL



New sliding and adjustable Rail Premium S



RAIL PREMIUM S

New elegant rail with increased structure, 128 cm long. The rail runs along the Carry-Bike rail support, the wheelbase among the bikes is adjustable in both ways, enabling you to easily and perfectly place your bikes. The fixing system to the carry structure is made by solid bolts, easy to adjust, that do not require drilling of the tube. Complete with sliding wedges and incorporated Quick straps to easily fasten the wheels of the bike.

Rail Premium S is standard delivered with the following Carry-Bike models:

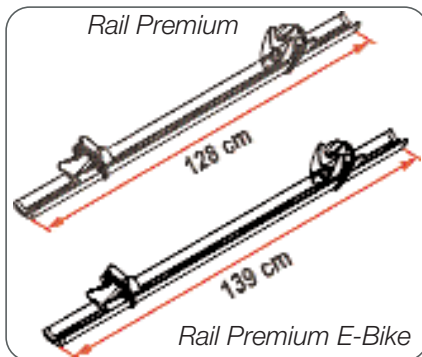
- Carry-Bike Premium SC
- Carry-Bike Premium S

Item No.

98656-656



The Rail Premium can be installed on most Fiamma Carry-Bikes and other brands



RAIL PREMIUM

Solid and robust supplementary rail with increased structure. Complete with sliding wedges and incorporated Quick strap to easily fasten the wheels of the bike. Suitable for most bike wheel diameters. Ideal for installation on the motorhome garage floor. Two models available:
 - **Rail Premium**, 128 cm long.
 - **Rail Premium E-Bike**, 139 cm long, for electrical bikes. Usable maximum 2 rails E-bike for Carry-Bike, in accordance with the capacity of the Carry Bike. Carries up to 30 kg.

Rail Premium is standard delivered with the following Carry-Bike models:

- Carry-Bike Pro / Pro C Premium
- Carry-Bike VW T4 D / T5 D
- All version of Carry-Bike DJ
- Carry-Bike 200 D
- Carry-Bike Renault Trafic D
- Carry-Bike Loop

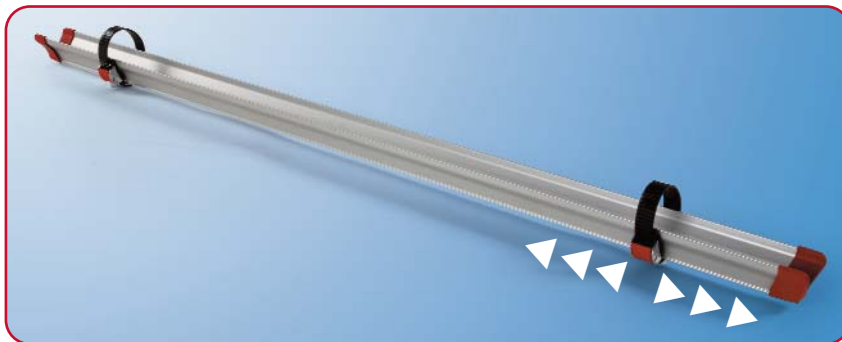
Model

Item No.

Rail Premium 98656-201

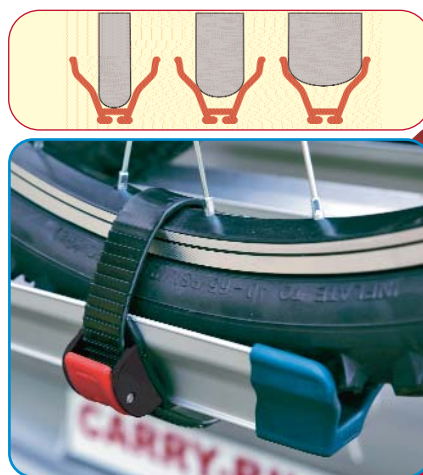
Rail Premium E-Bike 98656-657

RAIL



RAIL QUICK

The traditional and sturdy supplementary 128cm with a reinforced base. Easy to install on the Carry-Bike thanks to the pre-drilled holes on the rail support base. Comes with 2 standard sliding straps Quick-Safe.



Rail Quick 128 Blue



| Model | Item No. |
|----------------------------------------|-----------|
| Rail Quick 128 Red | 98656-097 |
| Rail Quick Red (140 cm - Only for L80) | 98656-438 |
| Rail Quick Red (200 cm - Only for L80) | 98656-439 |



RAIL STRIP

Sturdy supplementary 128cm rail with a reinforced base. Easy to install on the Carry-Bike thanks to the pre-drilled holes on the rail support base. Comes with 2 standard sliding straps.



Rail Strip 128 Red

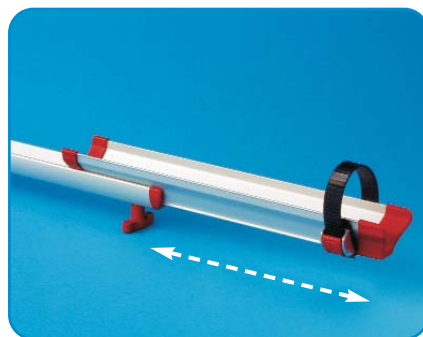


| Model | Item No. |
|-------------------------|-----------|
| Rail Strip Red (128 cm) | 98656-095 |



RAIL QUICK C

New telescopic rail can be adjusted to the desired extension, supplied with 2 Quick-Safe straps. Ideal to limit rail overhang. It can be easily installed on almost all bike carriers.



German Utility Model 299 16 746

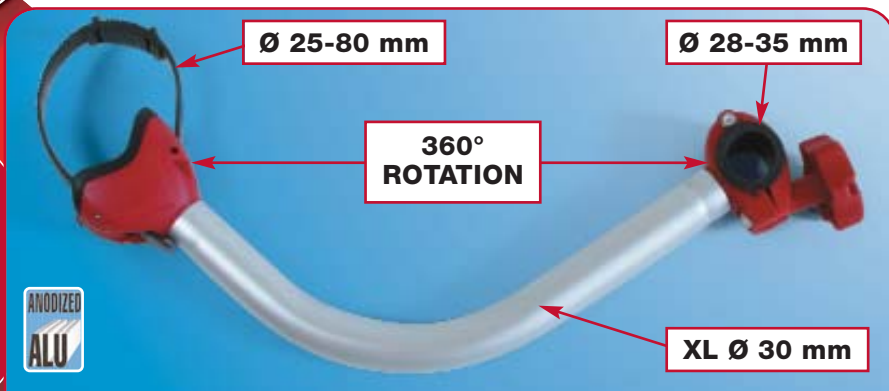


| Model | Item No. |
|----------------------------------------------------------|-----------|
| Rail Quick C Red (min. 101 max 167cm) | 98656-368 |
| Rail Quick C Black (min. 90 max 150cm) only for Backpack | 98656-369 |

NEW

BIKE-BLOCK® PRO

Carry-Bike



The strongest, quickest and safest blocking system for bikes with new design.

The Quick front clasp with its large non-scratch base fits round and oval bike tubes with diameters from 25mm to 80mm. Suitable for all Carry-Bike models. Bike-Block Pro D with articulated arm adjusts, Model D1: from 10 to 42cm Model D2: from 16 to 63cm to cover all the medium sized bike-blocks.

For various frames with diameters from 25 to 80mm

German Design 499 07 731.8

BIKE-BLOCK® PRO 1



Min. 12.5 cm - max 15.5 cm



BIKE-BLOCK® PRO 2



Min. 23 cm - max 26 cm



BIKE-BLOCK® PRO 3



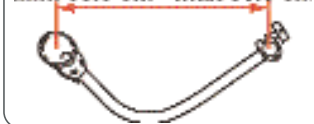
Min. 38 cm - max 41 cm



BIKE-BLOCK® PRO 4



Min. 53.5 cm - max 56.5 cm



BIKE-BLOCK® PRO D 1



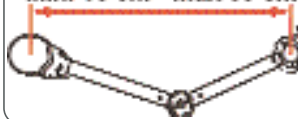
Min. 10 cm - max 42 cm



BIKE-BLOCK® PRO D 2



Min. 16 cm - max 63 cm



EXTRA LARGE

All Bike Block Pro have larger padded bicycle support base

| Model | Item No. |
|--------------------|-----------|
| Bike-Block Pro 1 | 04133-01- |
| Bike-Block Pro 2 | 04133A01- |
| Bike-Block Pro 3 | 04133B01- |
| Bike-Block Pro 4 | 04133C01- |
| Bike-Block Pro D 1 | 04133E01- |
| Bike-Block Pro D 2 | 04133F01- |

BIKE-BLOCK® PREMIUM

New from Fiamma

NEW

Same features of Bike-Block Pro but suitable for diameters from 30 to 40mm thanks to the regulation of the rotation pin.

German Utility Model 20 2008 011 459.4

| Model | Item No. |
|----------------------|-----------|
| Bike-Block Premium 2 | 05939A01- |
| Bike-Block Premium 3 | 05939B01- |
| Bike-Block Premium 4 | 05939C01- |

BIKE-BLOCK® PREMIUM 2



Min. 23 cm - max 26 cm



BIKE-BLOCK® PREMIUM 3



Min. 38 cm - max 41 cm



BIKE-BLOCK® PREMIUM 4



Min. 53.5 cm - max 56.5 cm



CARRY-BIKE® Accessories



QUICK-SAFE

Sliding safety lock system.
Can be installed only on original Carry-Bike reinforced rails.
1 piece.
It grants a quick and safe blocking of the wheel to the rail.
Easy release for immediate opening.

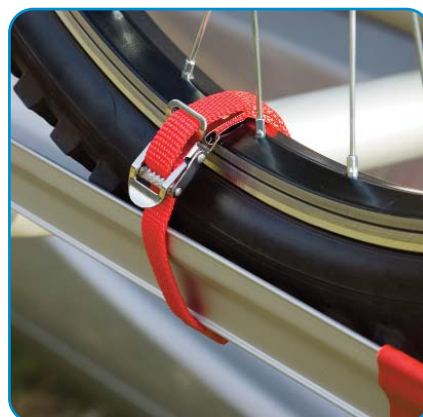


| Item No. | |
|-----------|--|
| 98656-386 | |



STRIP

Kit of 2 original Strips with stainless steel buckle.
Fits most bike carrier brands.
Length 39cm.
Width 13mm.
2 pcs package.



| Model | Item No. | |
|-------------|-----------|--|
| Strip Red | 98656-320 | |
| Strip Black | 98656-318 | |



ALU-SIGNAL

Rear signal for protruding loads, easily fits to motorcaravans, vans and 4-wheel drive vehicles.
Made in lightweight aluminium.
Dim.: 50x50cm.

Compulsory in Italy



Approved from Italian LL.PP law.
Sait approval D.M. N°937-29-03-94

| Item No. | |
|-----------|--|
| 98782-010 | |



PLASTIC SIGNAL

Available also in lightweight plastic material with 4 reflectors.
Dimensions: 50x50cm.



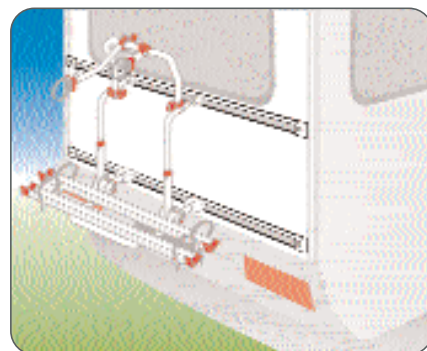
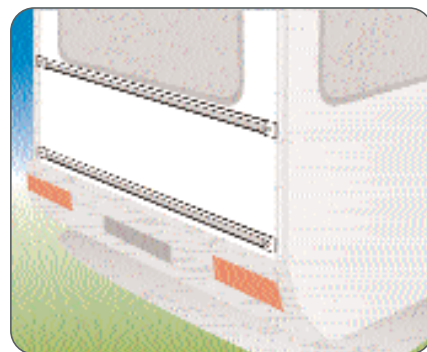
| Item No. | |
|-----------|--|
| 98782-005 | |

CARRY-BIKE® Accessories



FIXING-BAR CARRY-BIKE

Pair of reinforcement bars (240cm long) to mount the Carry-Bike where rear walls are weak.



Item No.

98656-474

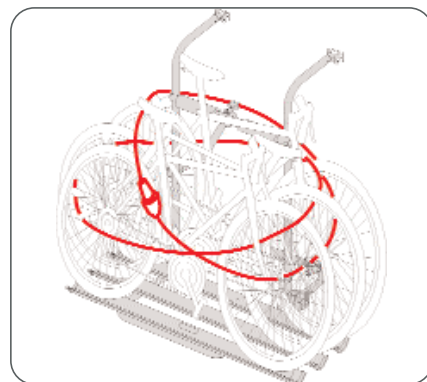


CABLE-LOCK

Handy anti-theft cable made of black plastic-coated steel with incorporated padlock. Standard delivered with 2 keys. Length 2.5m.

Item No.

98656-338



SECURITY STRIP

Original Strip, 200cm long, with stainless steel buckle. Fits most bike carrier brands. Width 13mm. 1 pc.

Item No.

98656-419



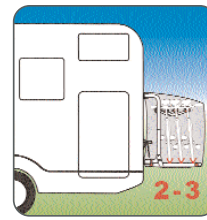
BIKE COVER Essential to protect your bikes



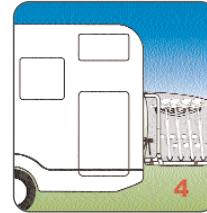
Bike Cover

BIKE COVER

In reinforced polyester material. It is lightweight and water-proof. It adapts to any load size thanks to its adjustable straps. Available in two versions: covers 2 or 3 bikes (04502B01-) and the other one covers 4 bikes (04502C01-). Colour: Platinum. *Not suitable for minivan bike rack.*



04502B01-



04502C01-

| Model | Item No. |
|-----------------------------|-----------|
| Bike Cover 2/3 Bikes | 04502B01- |
| Bike Cover 4 Bikes | 04502C01- |

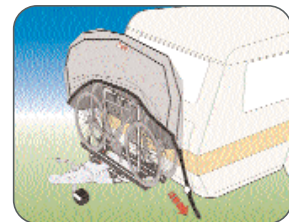


Bike Cover Caravan

BIKE COVER CARAVAN

Exclusive bike cover with K-Way system

Special version to cover bikes on Carry-Bike Caravan XL A and XL A PRO. In reinforced polyester material. Colour: Platinum.



| Item No. |
|-----------|
| 04502-01- |



Bike Cover Premium

BIKE COVER PREMIUM

Version of Bike Cover Premium with self-lubricating side zippers and velcro forms a complete enclosure around the bikes. Keeps your bicycles clean while travelling. It is made of extra strong polyester. One size covers up to 4 bicycles. Comes complete with adjustable straps to ensure no cover flapping while travelling. Colour: Platinum. *Not suitable for minivan bike rack.*



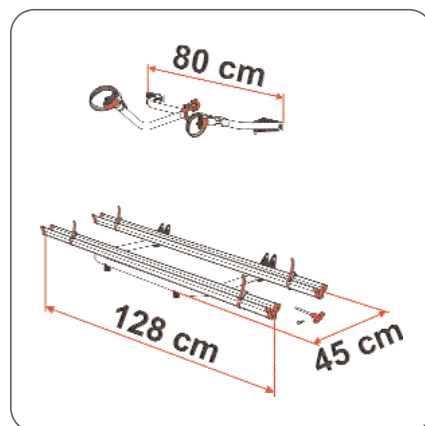
Side self threading zipper

| Item No. |
|-----------|
| 03634C01- |

**GARAGE STANDARD**

Bike Carrier with lower section fastened to the floor and Bike-Block fixed to the wall or to the roof.
Carries up to 3 bikes.
Can be folded up when not in use giving more floor space if required.

Standard delivered with:
Upper section with:
- 2 Bike-Block Pro Red (1 and 3)
Lower section with:
- folded structure,
- 2 Rail Strip

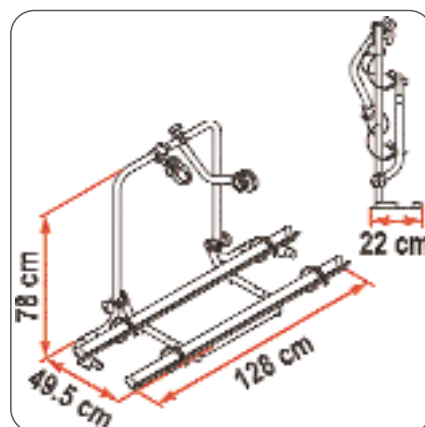


► Carry-Bike Garage Standard with supplementary third Rail Strip and Bike-Block Pro 2 Red.

| Item No. | Weight |
|-----------|--------|
| 02093-54- | 4,8 kg |

**GARAGE PLUS**

Bike Carrier for motorhomes with garage facility. Comes complete with lower brackets to fasten the unit to the floor of the vehicle. Lower section can be folded up when not in use giving more floor space if required. Carries up to 4 bikes. Standard delivered with:
- 2 Rail Quick,
- 2 Bike-Block Pro Red (1 and 3),
- 1 Rack Holder.



Garage Plus with 2 Rail Quick and supplementary Bike-Block Pro 2 and 4



| Item No. | Weight |
|-----------|--------|
| 02093-78- | 5,6 kg |

GARAGE

Simply slide your bikes in and out of the garage

NEW



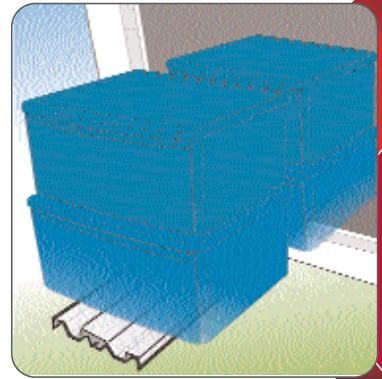
GARAGE SLIDE PRO

Multi-use sliding system to install in the garage facility or storage compartment boxes of the motorhome. Only 7,5 cm high, adjustable in height from min. 8 cm to max 12 cm. Patented slide system. The lower rail is screwed into place, while the upper rail slides onto the track system thanks to self-lubricating steel bearings nylon covered, mounted with ball-bearings.

The structure weighs only 8,4 kg.

Optional Kit Bike Slide to carry 2 bikes.

ANODIZED ALU

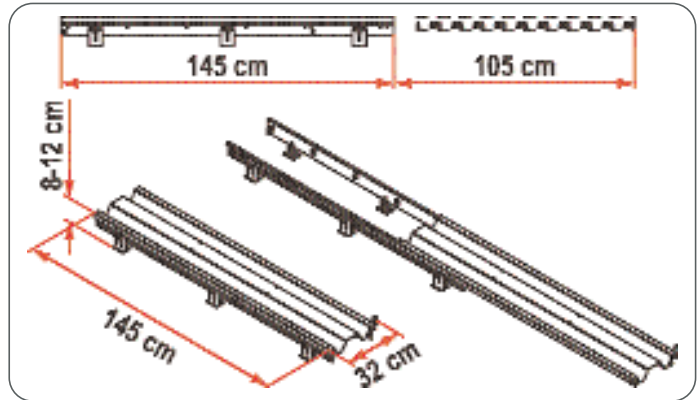


Carry-Bike

| Item No. | Weight |
|-----------|--------|
| 04822-03- | 8,4 kg |



Adjustable in height from min. 8 cm to max 12 cm.



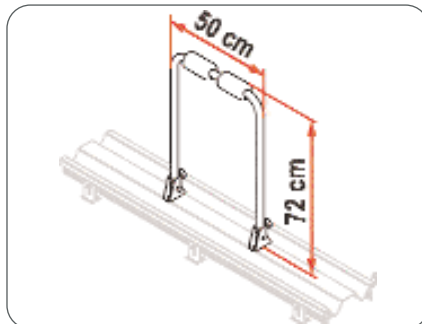
KIT BIKE SLIDE

The Kit Bike Slide is an optional extra enabling the Garage Slide to comfortably carry two bikes. Easy installation with the kit. Weights only 1,5 kg.

Supplied with:

- complete Carry-Bike structure,
- 6 Strip,
- 2 Protection Pads.

ANODIZED RAIL STRIP



Garage Slide with Kit Bike Slide optional

| Item No. | Weight |
|-----------|--------|
| 98656-370 | 1,7 kg |

CARRY-MOTO

The range of Carry Moto for the garage facility of your Motorhome

CARRY MOTO PRO

Carry-Moto system composed by 2 telescopic aluminium rails. Ideal to be installed in the garage facility of your motorhome. It can be easily fixed inside the garage thanks to the fixing feet that you can regulate in height from 8 cm till 11 cm.

Consists of a rail fixed on the floor of the garage (180 cm length and 15 cm width) and a chute which easily slides inside the fixed rail (155 cm length).

The two rails are made of sturdy galvanized aluminium.

The rail is supplied with 2 sturdy straps to fix motorbike while travelling.

It can carries up to 200 Kg.



Adjustable in height from 8 cm till 11 cm.

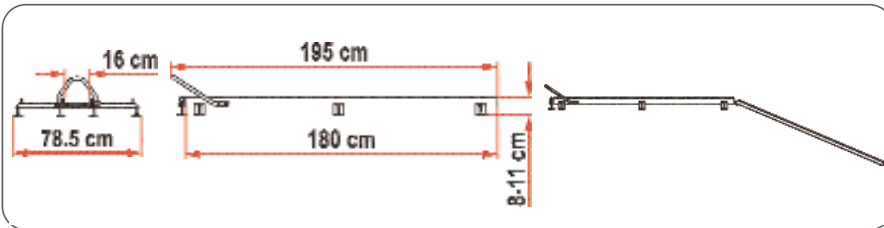


Carry-Moto Pro : the moto carrier for your garage facility



The Carry-Moto Pro is standard delivered with 2 sturdy straps to fix motorbike while travelling.

German Utility Model 202007011756.6



| Item No. | Weight |
|-----------|---------|
| 02095-03- | 15,4 kg |

CARRY-MOTO



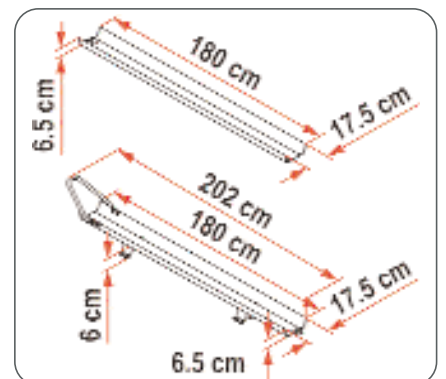
Motorbike-carrier for all motorhomes with garage facility.

Consists of a rail (length: 202cm, internal width: 14cm) and a chute (length: 180cm) which easily slides in to connect with the rail to facilitate the loading of the motorbike.

It is made of sturdy galvanized aluminium.

Supplied with 2 sturdy straps to fix the motorbike while travelling.

It carries up to 200 Kg.



| Item No. | Weight |
|-----------|---------|
| 02095-01- | 12,2 kg |

CARRY-MOTO

The Carry-Moto ramp for the garage facility of your Motorhome

NEW

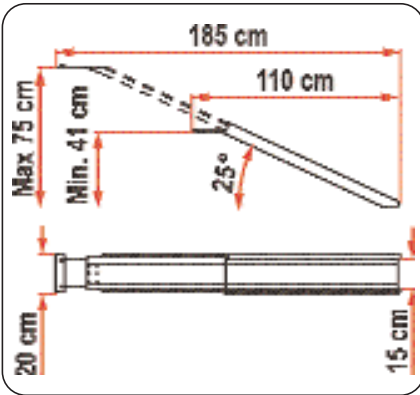


CARRY-MOTO S

New motorbike-carrier for all motorhomes with garage facility. Consists of a ramps in galvanized aluminium that can be installed on the door of your motorhome or on the floor of the garage facility. Once the fixed plate is installed on the floor the ramp can be easily hooked and unhooked. When not in use it takes up little space. The rail can reach a length of 175 cm through the telescopic slide, to help loading. Complete with handle for easy transport. Internal width 15cm. Holds up to 130 kg.



Carry-Bike



ROLL ON RAMP:

with 2 pieces of Fiamma Carry-Moto S you can create a system of ramps for loading scooters and wheelchairs on your vehicle. Each ramp is 15 cm wide and is covered with an antiskid band to help loading and unloading. The 2 ramps hold up to 130 kg, do not load wheelchairs when occupied.

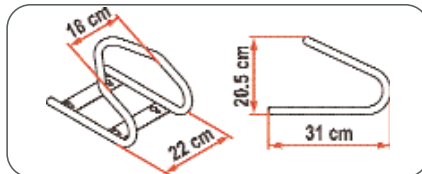


ROLL ON RAMP: two pieces together of Carry-Moto S

| Item No. | Weight |
|-----------|--------|
| 02095-04- | 7 kg |



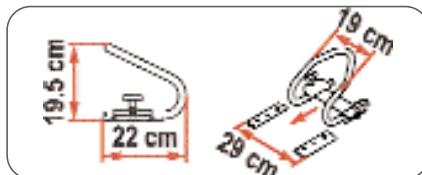
MOTO WHEEL CHOCK F



The front wheel chock for your motorbike. Functional, solid and light. Made of black anodized steel. Easy to assemble and to remove thanks to its 4 screw's anchor holes. Its tapered design enables to stabilize the wheels up to a maximum width of 165 mm. Complete with a kit for fixing to wood floors. Package includes 2 click strips for the fixing of the scooters and of the motorbikes.



MOTO WHEEL CHOCK R



The rear wheel chock for your motorbike, the ideal complement for the Carry Moto S. Made of black anodized steel. Easy to assemble and to remove thanks to its quick removable knobs. With rails for the fixing to the floor. Its tapered design enables to stabilize the wheels up to 165 mm.

| Model | Item-No. |
|--------------------|-----------|
| Moto Wheel Chock F | 05781-01- |
| Moto Wheel Chock R | 05800-01- |

NEW

GARAGE

Accessories

NEW

GARAGE-BARS PREMIUM

New version of Garage Bars studied for an easy installation in the garage facilities.

Composed by 2 multi-use bars made of sturdy anodized aluminium with an innovative design to take up little space.

Each bar includes 2 hooks with eyelets.

They can be installed on the wall or on the floor.

The hooks can be easily placed in the proper seats along the bars.

Complete with end caps.

Dimensions Model 200:

200x6,6x1,3 cm.

Dimensions Model 60:

57x6,6x1,3 cm.

GARAGE-BARS

Your problem of securing items in the garage is solved.

The Garage-Bars are 2 bars in anodized aluminium that are fixed to the garage walls, each complete with 5 EYE sliding hooks and fixing screws.

Dimensions: 4x2,5x200cm



Model 60 is standard delivered with 2 click strips for the fixing of the scooters.

| Model | Item No. |
|--------------------------------|-----------|
| Garage-Bars Premium 200 | 98655-601 |
| Garage-Bars Premium 60 | 98655-600 |
| Garage-Bars | 98655-480 |
| Eye Kit | 98656-494 |
| Kit Square Plates | 98656-485 |

EYE KIT



Supplementary sliding hooks for Garage-Bars.
2 pcs.

KIT SQUARE PLATES

Stainless steel hooks to be applied to the floor or the walls of the garage for tying straps, elastic cords and ropes. Dim.: 3.5x3x2cm.



CARGO STRAP

Strong fixing system to block (or to strap) objects like: small tables, chairs, spare wheel, etc into car boot or garage of your camper.

Simply mount the strong ABS wall tracks with the proper screw (standard delivered), set the related hooks and position the rubber bands in order to tension them according to the objects you have to fix. Holds up to 20 Kg.

Cargo strap is composed by: 2 ABS tracks, 4 hooks, 2 rubber band and 24 fixing screws.

For heavy or bulky objects we suggest to add the Cargo Accessory Kit.



CARGO ACCESSORY KIT

is composed by 4 supplementary hooks and 2 rubber band.

| Model | Item No. |
|----------------------------|-----------|
| Cargo Strap | 05677-01- |
| Cargo Accessory Kit | 98656-510 |

Carry-Bike

GARAGE

Accessories

NEW



**Pack 610 S: when open it is really spacious.
Closed takes up little space**

PACK 610 S

New and practical folding bag for garage and the shelf of the slide which allows an organized storage of all the camping, sport and travel gear.

It is made of strong waterproof material.

Standard delivered with adjustable straps, handles and exterior pockets.

Practical handles for easy carrying.

Can be folded up when not in use, taking up little space.

Capacity: 66lt.

Dimensions open: 60x35,5x30,5 cm

Dimensions closed: 9x35,5x30,5cm

Colour: grey-red-black.

Carry-Bike

Item No.

05921-02-



GARAGE CARRY-RAIL

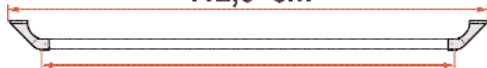
The new Fiamma holder ideal for the storage compartment boxes of the motorhomes.

Made up of a sturdy and light tubular rail in anodized aluminium 22mm of diameter supported by 2 sturdy ceiling hookings with counterplates in order to grant the highest firmness.

The capacity depends on the solidity of the ceiling of the garage facility. Ideal for hanging clothes and various objects.

Dimensions: 100cm., easy to shorten.

112,5 cm



100 cm

Item No.

06112-01-

ORGANIZER

European Design Patent 1068456

PACK ORGANIZER



Pack Organizer L



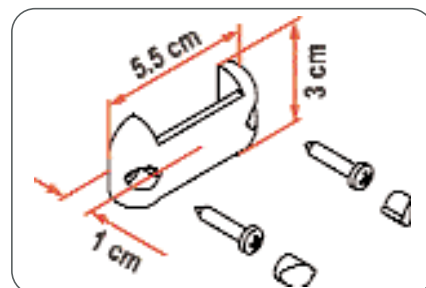
Pack Organizer S hung with Fix Organizer

Practical folding container with a lot of pockets, it can be easily hung on the doors and on the motorhome walls. It is made of strong tarpaulin waterproof material. It enables objects to be kept to hand. Standard delivered with adjustable straps and eyelets for installation. Practical handles for easy carrying. Can be easily folded up when not in use, taking up little space. Available in 2 versions: **S** 50x84 cm, **L** 88x39 cm. Colour: grey-red.

FIX ORGANIZER



The easy and original way to hang up your Organizer to the wall. 2 pieces package. Colour: grey.



| Description | Item No. |
|------------------|-----------|
| Pack Organizer S | 05931-01- |
| Pack Organizer L | 05931A01- |
| Fix Organizer | 98655-163 |



ORGANIZER

NEW

NEW



PACK ORGANIZER SEAT

Practical container to hang up on the rear part of the seats of your vehicle.
Ideal for comfortable storage of your objects, maps, and magazines thanks to its numerous pockets and large compartments.
Can be folded up when not in use, taking up little space.
Made of strong waterproof material.
Dimensions: 43x66x2 cm.



Carry-Bike

NEW



PACK ORGANIZER SHOES

New folding container with big pockets to store shoes.
Made of strong tarpaulin waterproof material.
It is easy to be hung up on doors and to the walls.
Complete of an elegant front cover.
It takes up little space when not in use.
Dimensions: 84x54x2 cm.



NEW



PACK ORGANIZER TOILETRY

Efficient folding container to store and transport your bathroom fittings, thanks to the numerous pockets and the large compartments.
Ideal for all the family!
Complete of hook to be hung up to the doors of your motorhome.
Practical handle for easy carrying when closed.
It is made of strong waterproof material.
Dimensions open: 30x118x11 cm.
Closed: 30x37x11 cm.



| Description | Item No. |
|-------------------------|-----------|
| Pack Organizer Seat | 06105-01- |
| Pack Organizer Shoes | 06103-01- |
| Pack Organizer Toiletry | 06104-01- |

NEW

ULTRA-BOX®



The most spacious rear boxes for Carry-Bike



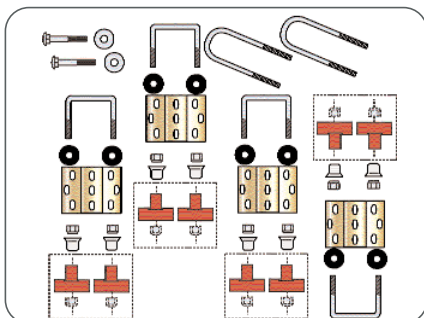
The rear boxes for motorcaravans and minivans are made with a top Quality ABS-PLUS to provide high resistance against impacts and weather conditions plus protection against ultraviolet rays. They are co-extruded with extra thickness to prevent deterioration and are supplied with stainless steel hinges and aluminium profiles. Equipped with a watertight seal, the boxes can be installed on the Carry-Bike thanks to the installation kit standard included. GS/TÜV approved and supplied with flexible net to secure the transported items.

Carry-Bike

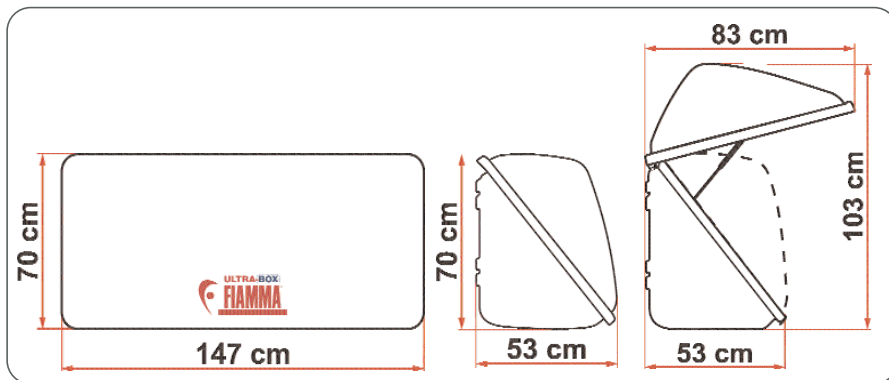


The most spacious rear boxes for Carry-Bike

ULTRA-BOX 500

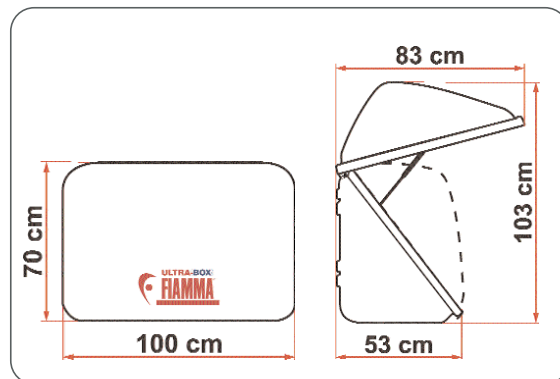


Box 180, 320, 360 and 500 are standard delivered with brackets for installation on the Carry-Bike.



| Item No. | Volume | Weight |
|-----------|--------|--------|
| 04148-01- | 500 l | 17 kg |

ULTRA-BOX 320



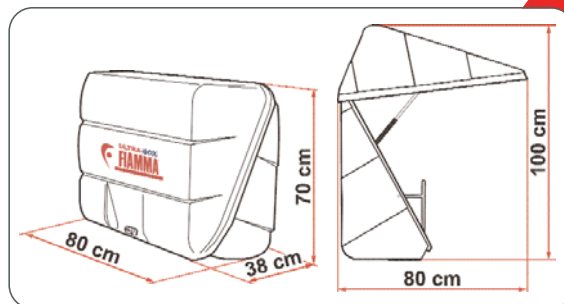
| Item No. | Volume | Weight |
|-----------|--------|--------|
| 04147-01- | 320 l | 12 kg |

ULTRA-BOX®

The most compact rear luggage boxes for Carry-Bike

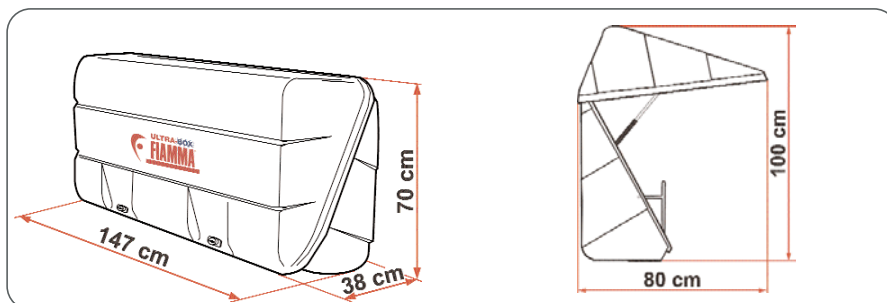
NEW

ULTRA-BOX 180



| Item No. | Volume | Weight |
|-----------|--------|--------|
| 02800-01- | 180 l | 6,5 kg |

ULTRA-BOX 360



| Item No. | Volume | Weight |
|-----------|--------|--------|
| 02801-01- | 360 l | 14 kg |

CARGO BACK



A soft luggage bag made in sturdy anti-rip reinforced resinated nylon. Ideal for transporting chairs and camping or sporting goods. Quick attach and remove system. Takes up little space when folded. Water-proof with covered nylon YKK zippers. Cargo Back can easily be installed on a rear bike carrier. Fixing straps included. Dimensions: open 120x70x35 cm. closed 38x28x10 cm.

KIT FRAME CARGO BACK



The ideal system to keep your Cargo Back tight also when it's not completely full! Made of light anodized aluminium tubes and connection plastic pieces to be assembled together for a solid fastening. This is a removable kit, easy to assemble and to fix inside your Cargo Back. It takes up little space when disassembled. Weight: 1 Kg. Dimensions open: 119x69x32cm. Dimensions closed: 69x17x7cm.

| Item No. | Description | Dimensions | Volume |
|-----------|----------------------|--------------|--------|
| 03856-01- | Cargo Back | 120x70x35 cm | 285 l |
| 06106-01- | Kit Frame Cargo Back | / | / |

NEW



Carry-Bike

95

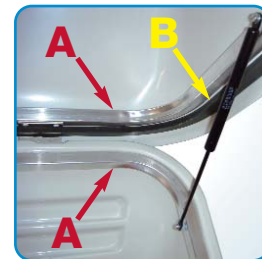
Carry-Bike



The best motorhome roof boxes

The superior roof boxes for your motorhome and motorcaravan with completely reinforced aluminium structure and watertight foam seal

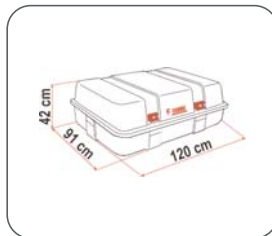
The classic roof-boxes made of superior quality ABS-PLUS highly resistant to impacts and weather conditions, with co-extruded high-thickness UV protection to prevent deterioration of quality. Complete with installation brackets and rust-proof stainless steel hinges. Colour: Polar white.



Completely reinforced aluminium structure (A) and watertight foam seal (B).

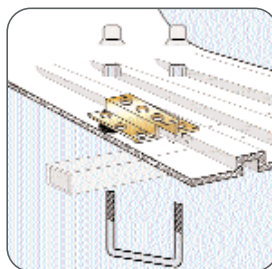
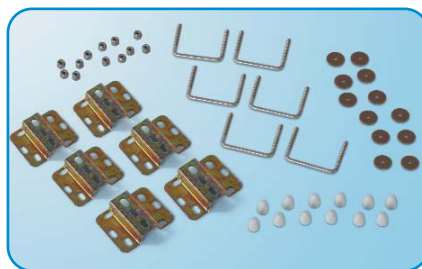
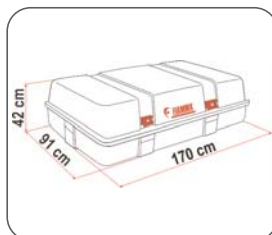
ULTRA-BOX 2 TOP

| Item No. | Volume | Weight |
|-----------|--------|--------|
| 02084-01- | 400 l | 13 kg |



ULTRA-BOX 3 TOP

| Item No. | Volume | Weight |
|-----------|--------|--------|
| 02085-01- | 520 l | 17 kg |



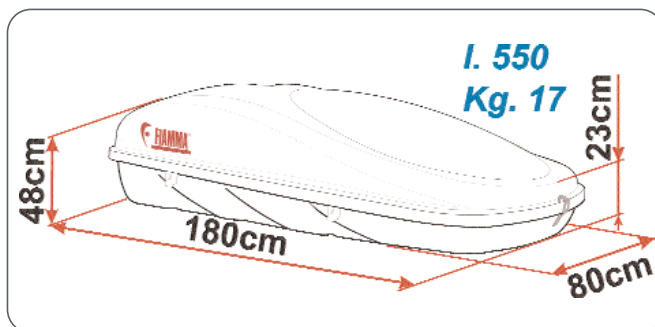
Kit of 6 fixing brackets standard delivered for Ultra-Box 3.
4 brackets for Ultra-Box Top 2 and Sport Pro.

ULTRA-BOX® The elegant and aerodynamic roof box



ULTRA-BOX SPORT PRO

Large capacity box. Elegant aerodynamic design with better wind-resistance when installed on roofs of motorhomes, vans and cars. Practical side opening with double safety lock. Security front hook. Complete with installation brackets and stainless steel screws. Colour: Polar white.



| Item No. | Volume | Weight |
|-----------|--------|--------|
| 02086-01- | 550 l | 17 kg |



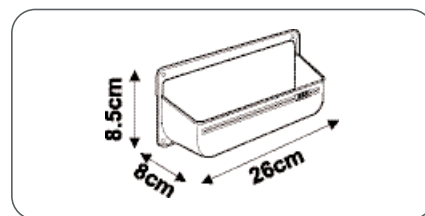
POCKET



POCKET M

Multipurpose pocket made of scratch resistant plastic, easy to install with the provided screws. Colour: White.

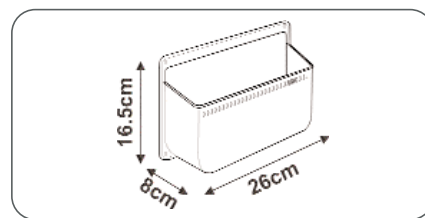
| Item No. |
|-----------|
| 03177-01- |



POCKET L

Multipurpose pocket made of scratch resistant plastic, easy to install with the provided screws. Colour: White.

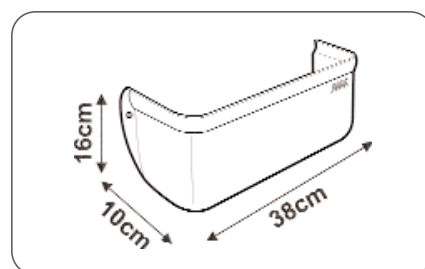
| Item No. |
|-----------|
| 03178-01- |



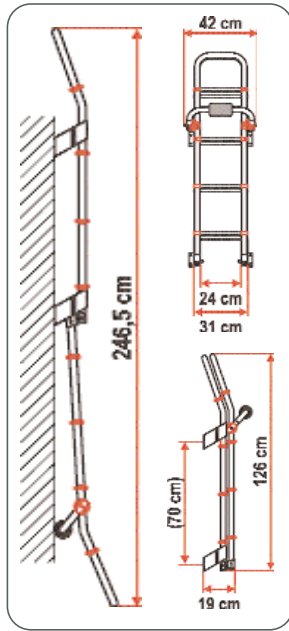
POCKET XL

Practical stowaging pocket that can be easily installed on the vehicle doors or walls with screws included. In scratch resistant ABS. Colour: Grey.

| Item No. |
|-----------|
| 03284-01- |



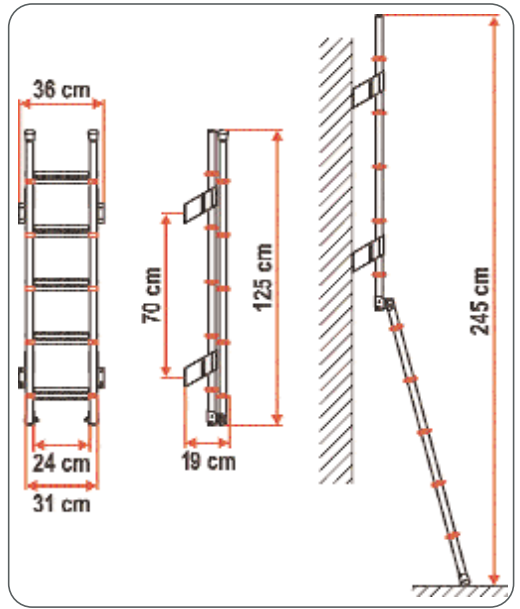
DELUXE High quality aluminium ladders



DELUXE 8

Sturdy and lightweight exterior ladder with 8 steps. 30mm diameter and 2mm thick tubes in anodized aluminium. Inside width: 24cm. Total step width: 31cm. Non-skid steps. It can be folded up while travelling.

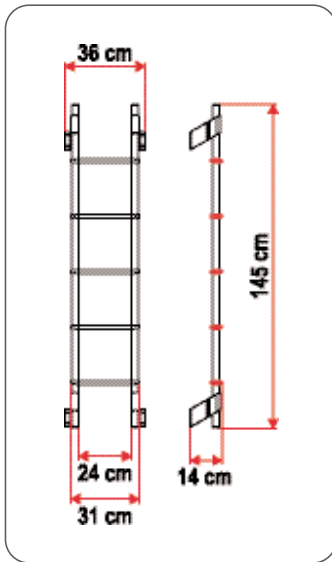
Item No.
02426-02-



DELUXE 5D

High quality exterior ladder in anodized aluminium with 10 steps. Inside width: 24cm. Total step width: 31cm. Non-skid steps. It can be folded up while travelling.

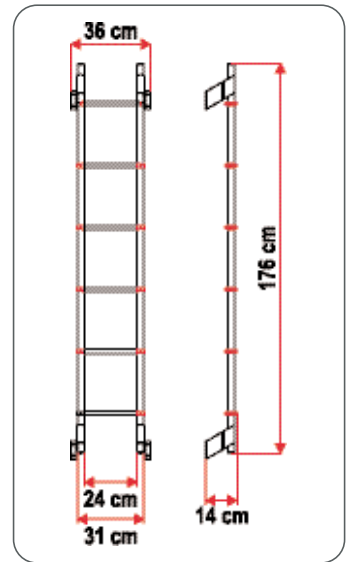
Item No.
02426-08-



DELUXE 5

Exterior ladder with 5 steps in anodized aluminium. Delivered with wall brackets for easy and quick installation. Non-skid steps. Inside width: 24 cm; total step width: 31cm.

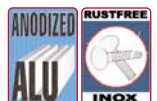
Item No.
02426-07-



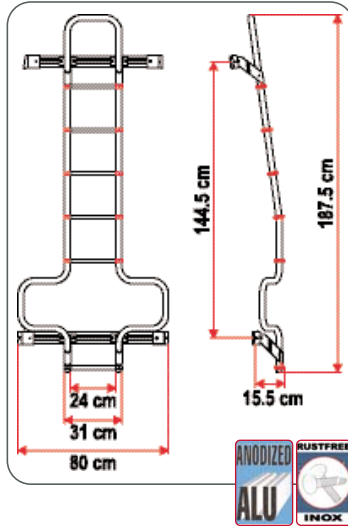
DELUXE 6

Exterior ladder with 6 steps in anodized aluminium. Delivered with wall brackets for easy and quick installation. Non-skid steps. Inside width: 24 cm; total step width: 31cm.

Item No.
02426-06-



DELUXE High quality aluminium ladders



DELUXE DJ

High quality exterior aluminium ladder. Supplied with Fixing bars for easy and quick installation on the left side of the rear door. Can be combined with Carry-Bike 200 DJ (Pag. 76). The ladder Deluxe DJ Ducato can be installed on the following vehicles: Fiat Ducato, Citroën Jumper and Peugeot Boxer. The Model 02426D01- is suitable for Mercedes Sprinter and VW LT.

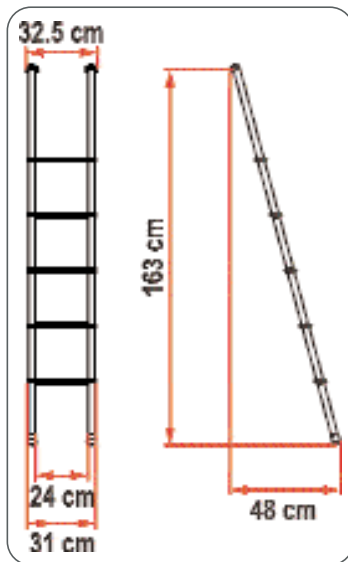
| Item No. | Description |
|-----------|---------------------------------|
| 02426D01- | Deluxe DJ Ducato before 06/2006 |
| 02426-09- | Deluxe DJ Ducato after 06/2006 |



SAFE LADDER

Sturdy anti-theft safety plate for your motorcaravan ladder. Suitable for single and double steps. Standard delivered with Locks and key. Dimensions: 23x78 cm.

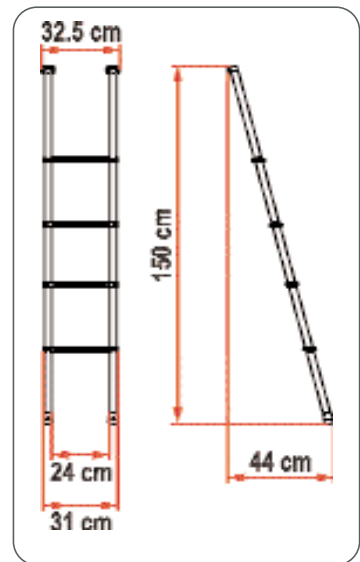
| Item No. | |
|-----------|--|
| 98656-480 | |



DELUXE 5B

Aluminium ladder with 5 steps with 15° inclination for the inside of luton overcab models of motorcaravan or caravans with bunks. Inside width: 24cm. Total step width: 31cm. Handy nylon hooks to hold in position.

| Item No. | | COMFORT 15° | ANODIZED ALU | RUSTFREE INOX |
|-----------|--|-------------|--------------|---------------|
| 02426-13- | | | | |



DELUXE 4B

Aluminium ladder with 4 steps with 15° inclination for the inside of luton overcab models of motorcaravan or caravans with bunks. Handy hooks to hold in position. Inside width: 24cm. Total step width: 31cm.

| Item No. | | COMFORT 15° | ANODIZED ALU | RUSTFREE INOX |
|-----------|--|-------------|--------------|---------------|
| 02426-12- | | | | |



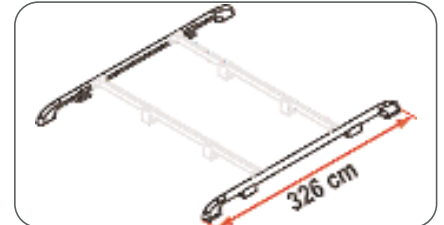
Roof Rail with Fixing-Bar Rail optional

ROOF RAIL

Luggage carrier system comprises 2 perimetric bars easy to install on motorhomes and caravans. Elegant and modern design. Solid terminals (A) are built in aluminium pressure die-casting. The aluminium anodized tubes are suitable for a quick hook up of the optional Fixing Bar Rail. The tubes are 300 cm long and easy to shorten. Complete with 4 aluminium support brackets.



Solid terminals (A) are built in aluminium pressure die-casting



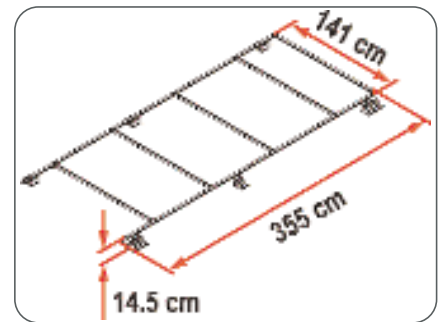
| Item No. |
|-----------|
| 05516-01- |



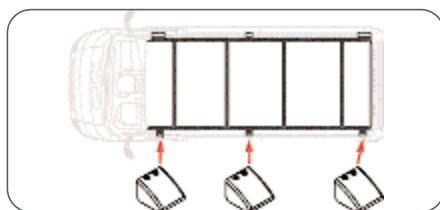
Roof Rail Ducato with F65 S awning

ROOF RAIL DUCATO

Luggage carrier system specially designed for Ducato after 06/2006, either long or short wheelbase (shortening the bars). Easy installation without drilling the vehicle, thanks to the preinstalled fixing system on the roof of Ducato. It is possible to install the roof awning F65S, on the right side only on high roof vehicles, using the brackets standard delivered. Optional available kits for the Roof Rail Ducato:

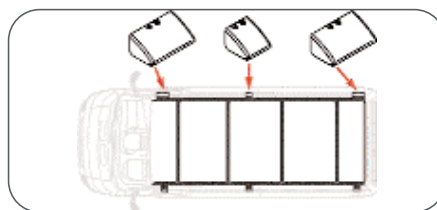


| Item No. | Description |
|-----------|-----------------------------|
| 05808-01- | Roof Rail Ducato |
| 98658-067 | Kit Roof Rail D Cover Left |
| 98658-068 | Kit Roof Rail D Cover Right |
| 98658-066 | Kit Roof Rail D Super Long |



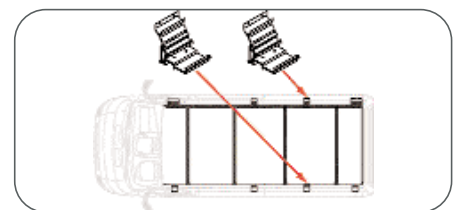
KIT ROOF RAIL D COVER LEFT

Kit composed of 3 elegant bracket covers in white, to be installed on the left side (opposite to the one arranged for the standard installation of the awning).



KIT ROOF RAIL D COVER RIGHT

Kit composed of 3 elegant bracket covers in white, to be installed on the right side in case no awning is installed. For a complete cover of the six brackets it is necessary to buy both the kits (Left and Right).



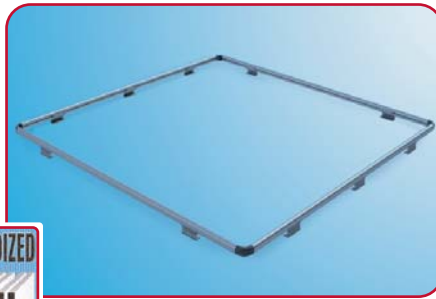
KIT ROOF RAIL D SUPER LONG

Kit composed of 2 brackets for the installation of the awning to the Fiat Ducato models with super long wheel base (no covers provided).

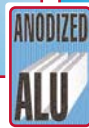
FIXING-BAR®



Roof Rail Pro 3

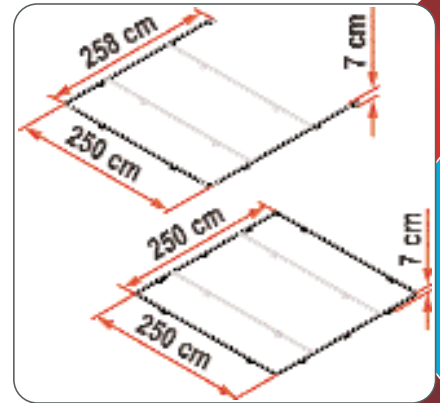


Roof Rail Pro 4

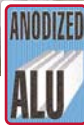


ROOF RAIL PRO

Luggage rack consisting of 3 or 4 bars (each 240cm long) and relative curved pieces. Pieces are made in anodized or painted aluminium for maximum weather resistance. It can be used with Fixing-Bar Rail.
 Roof Rail Pro 3: standard delivered with 3 bars, 2 terminals and 2 curved pieces and 6 fixing brackets. Dim.: cm 250x258x7 h.
 Roof Rail Pro 4: standard delivered with 4 bars, 4 curved pieces and 10 fixing brackets. Dim.: cm 250x250x7 h.



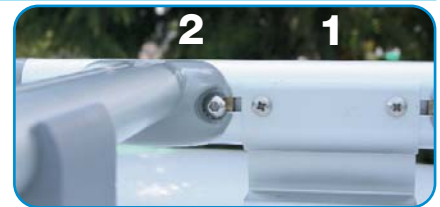
| Description | Item No. |
|-----------------|-----------|
| Roof Rail Pro 3 | 05516-02- |
| Roof Rail Pro 4 | 05516-03- |



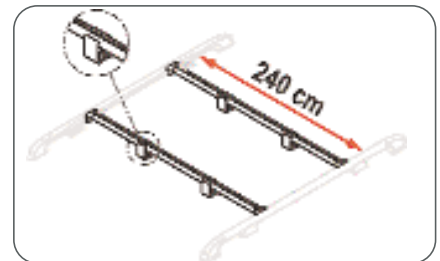
Fixing-Bar Rail with Roof Rail

FIXING-BAR RAIL

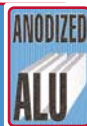
Carry-all bar created in aluminium extrusion 240 cm long easy to shorten. It can be easily used with Roof Rail (Item No. 05516-01-), Roof Rail Pro 3 (Item No. 05516-02-) and Roof Rail Pro 4 (Item No. 05516-03-) without drilling the vehicle by using the sliding hooks, standard delivered. Package includes 2 bars, each with 2 fixing terminals (2 in the picture) in aluminium pressure die-casting and 2 rubber spacers. The antiskid aluminium Cargo Plate **A**, 135 cm long is optional available.



(1) Roof Rail supporting brackets
 (2) Fixing-Bar Rail terminal.

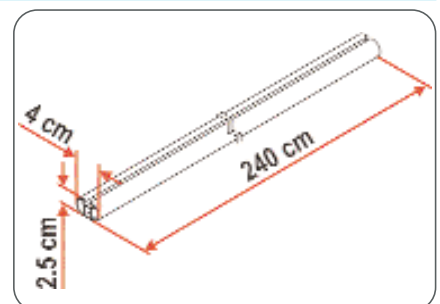


| Description | Item No. |
|-----------------|-----------|
| Fixing-Bar Rail | 98655-075 |
| Cargo Plate | 05558-01- |



FIXING-BAR PRO L

The aluminium fixing bar 240cm long can be shortened to the required length. Kit includes: 1 bar, 2 white end caps and 1 rubberspacer. To be placed on the Motorhome or Caravan roof. Ideal for supporting system for solar panels or roof boxes.



German Patents: 19731898.3 - 29722816.1

| Item No. |
|-----------|
| 98655-295 |

SAFE DOOR®



100%
ALUMINIUM

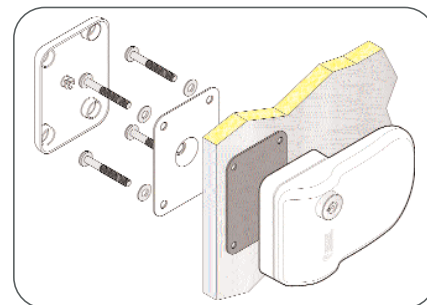
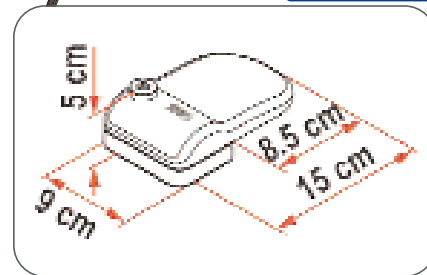


SAFE DOOR

Safety block for motorhome and caravan doors. It works as an antitheft device as it is made of sturdy anodized aluminium without plastic parts.

It is easily installed to the vehicle wall with bolts and internal counterbrackets.

In two colours available: white and grey. Dimensions: 15x9x5 cm.



White

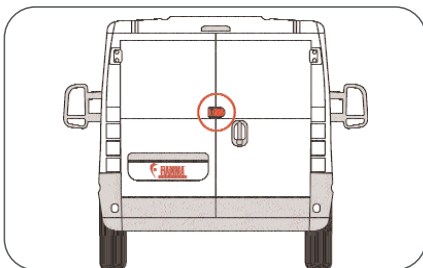
Grey

SAFE DOOR 3

ONE KEY SYSTEM

Version of 3 Safe Door working with the same key. In two colours available: white and grey.

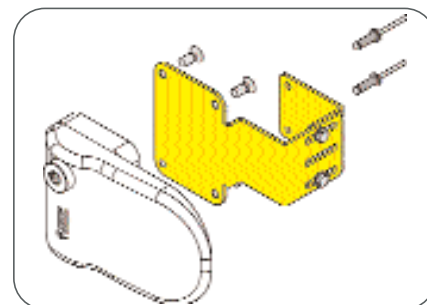
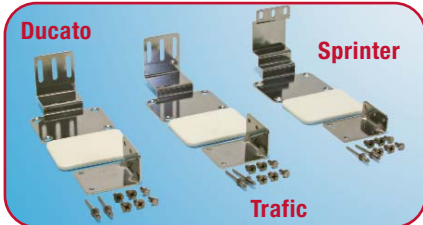
| Model | Item.-No. |
|-------------------|-----------|
| Safe Door White | 04688-01- |
| Safe Door Grey | 04688-01G |
| Safe Door 3 White | 04688-02- |
| Safe Door 3 Grey | 04688-02G |



KIT SAFE DOOR DD

Kit composed of steel brackets to allow the Safe Door to be installed on the double doors of the following minivans: Fiat Ducato, Citroën Jumper, Peugeot Boxer (Item No. 98656-491), Mercedes Sprinter and Renault Traffic after 06/2006.

Easy door installation with screws and rivets included.



German Utility Model 202009000484

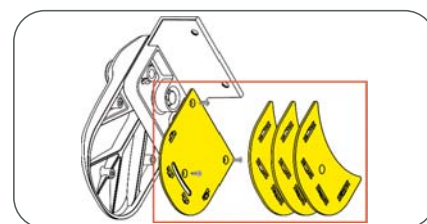
| Model | Item.-No. |
|-----------------------|-----------|
| Safe Door DD Sprinter | 98656-497 |
| Safe Door DD Ducato | 98656-491 |
| Safe Door DD Traffic | 98656-492 |



SPACER KIT SAFE DOOR

Spacer to be combined with Safe Door to reduce the gap between motorhome wall and Safe Door. Fits only on Safe Door 2007.

Kit composed of one aluminium plate and 3 plastic spacers 2mm each.



| Model | Item No. |
|---------------------|-----------|
| Spacer Kit SD White | 98656-498 |
| Spacer Kit SD Grey | 98656-499 |

SAFE DOOR® FRAME

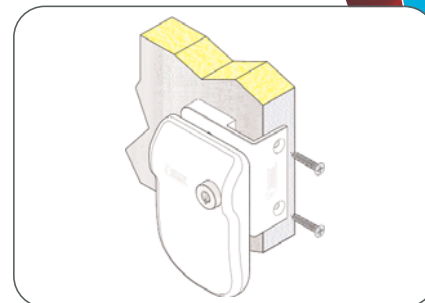
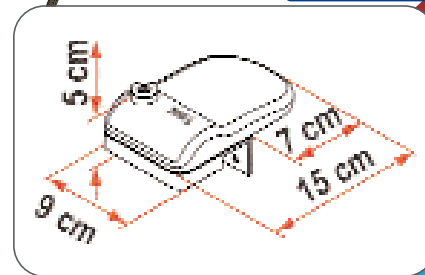


100%
ALUMINIUM



SAFE DOOR FRAME

Safety block for motorhome and caravan door.
It works as an antitheft device as it is made of sturdy anodized aluminium without plastic parts. Installation on the side frame of the door or garage compartment with self-tapping screws.
Dimensions: 15x9x4,8 cm.
In two colours available: white and grey.



White

Grey

Quality
Motorhome Products

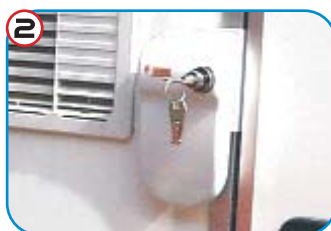


SAFE DOOR FRAME 3 ONE KEY SYSTEM

Version of 3 Safe Door Frame working with the same key.

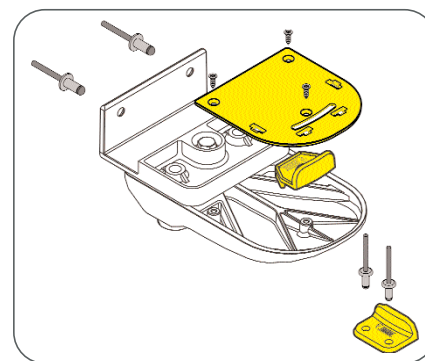


| Model | Item.-No. |
|-------------------------|-----------|
| Safe Door Frame White | 04688A01- |
| Safe Door Frame Grey | 04688A01G |
| Safe Door Frame 3 White | 04688A02- |
| Safe Door Frame 3 Grey | 04688A02G |



KIT SAFE DOOR FRAME MINIVAN

Kit to allow the Safe Door Frame to be installed to the sliding doors of the following minivans: Fiat Ducato, Mercedes Sprinter, Citroën Jumper and Peugeot Boxer.
Easy wall installation with screws and rivets included.
Colour: White.



| Item No. |
|-----------|
| 98656-495 |

SAFE DOOR® MAGNUM



100%
ALUMINIUM

Quality
Motorhome Products



SAFE DOOR MAGNUM

Same features as Safe Door, but with the length extended to 20cm in order to cover the locks of the camper doors. Installed on the wall with 4 bolts and internal counterbrackets. Colour White. Dimensions: 20x9x5 cm.

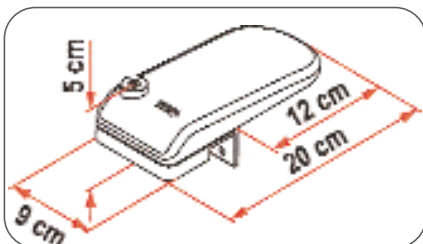


| Item No. |
|-----------|
| 05348-01- |



SAFE DOOR MAGNUM FRAME

Same features as Safe Door, but with the length extended to 20cm in order to cover the locks of the camper doors. Installed on the inside profile of the door with two self-threading screws. Colour White. Dimensions: 20x9x5 cm.

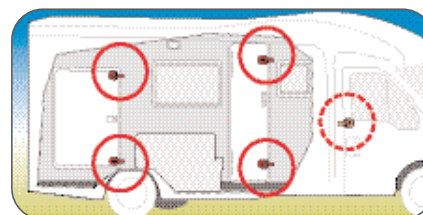


| Item No. |
|-----------|
| 05348A01- |



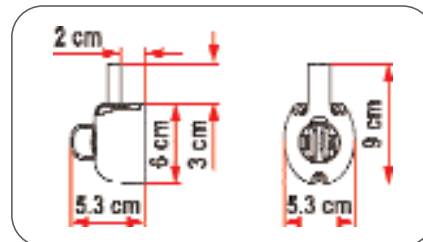
SAFE DOOR GUARDIAN

Security block created to be placed on the inside of the door or the garage of the motorhome or caravan and to secure the front doors of the vehicle. Excellent protection against theft as it is made of strong aluminium, without any plastic parts. It is installed instead of the standard plastic security blocks, in the same position and using the same fixing holes. 2 pieces package.



Spacer Kit Guardian

Optional spacers to align Guardian to the walls. Package includes 10 spacers 1mm each.



| Model | Item No. |
|---------------------|-----------|
| Safe Door Guardian | 05388-01- |
| Spacer Kit Guardian | 98656-496 |

Guardian installed on the front door, driver's side.

SAFE DOOR®



100%
ALUMINIUM

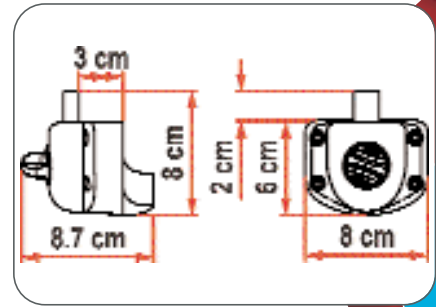
NEW

NEW



SAFE DOOR GUARDIAN S 06

Similar to the Safe Door Guardian but provided with a bracket especially designed for installation on **Mercedes Sprinter** doors after 06/2006.
Two piece box.



Item No.

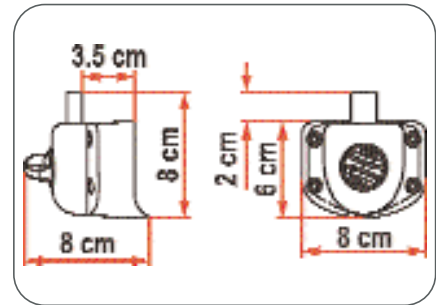
05388-06-

NEW



SAFE DOOR GUARDIAN T 06

Similar to the Safe Door Guardian but provided with a bracket especially designed for installation on **Ford Transit** doors after 06/2006.
Two piece box.



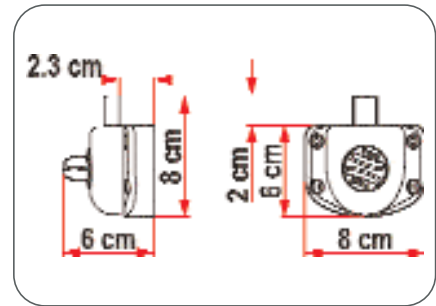
Item No.

05388-05-



SAFE DOOR GUARDIAN T

Similar to the Safe Door Guardian but provided with a bracket especially designed for installation on **Ford Transit** doors before 06/2006.
Two piece box.



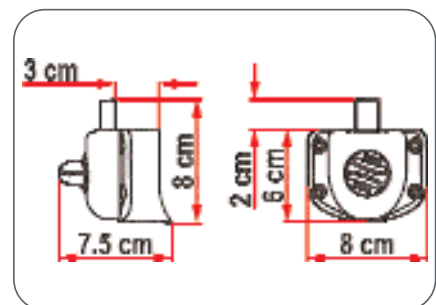
Item No.

05388-03-



SAFE DOOR GUARDIAN D

Similar to the Safe Door Guardian but provided with a bracket especially designed for installation on **Fiat Ducato** after 06/2006.
Two piece box.



Item No.

05388-04-

NEW

SECURITY

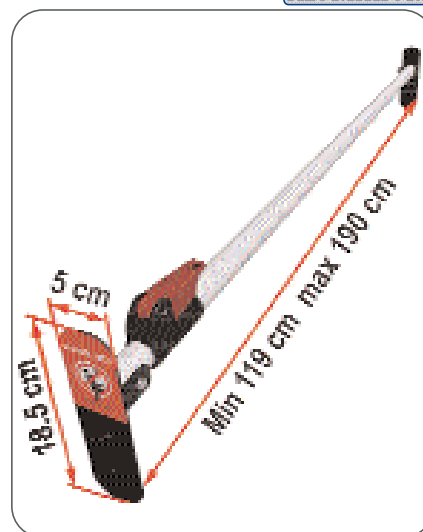
100%
ALUMINIUM

NEW



DUO-SAFE PRO

New improved version. Strong security bar allows blocking front doors from the inside. Quick and ready to use. Universal model thanks to the telescopic frame and Quick Lock hooks provided, to adapt to the most vehicles' cabins. Tested on: Fiat Ducato, Citroën Jumper, Peugeot Boxer and Renault Master before 06/2006. Mercedes Sprinter, Fiat Ducato, Renault Master and Ford Transit after 06/2006. Also suitable for Iveco Daily's cabin. Antitheft warning label visible from the outside to prevent thefts. Dimensions closed: 119x18,5 cm.



German Design Patent 407 04 984.3

Item No.

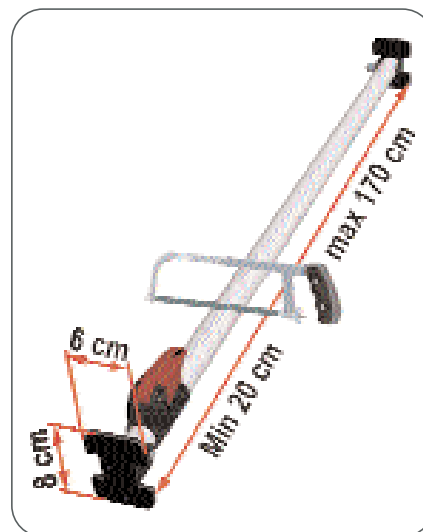
05411-02-

NEW



LUGGAGE BAR

Solid telescopic bar ideal for fastening your objects into the garage facility of your vehicle while travelling. Easy to regulate using the handy lever hooking. Rubber covered terminals to assure a steady grip without marking the walls of the vehicle. Made of sturdy and light anodized aluminium tubes. Easy to shorten to a minimum length of 20cm. and extensible until 170 cm. in order to adapt itself to the various sizes of the storage compartment boxes of the motorhome. Dimensions closed: 93x8x6 cm.



German Design Patent 407 04 984.3

Item No.

05411-03-

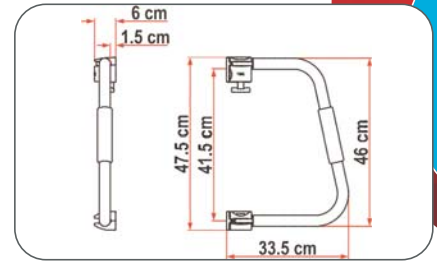
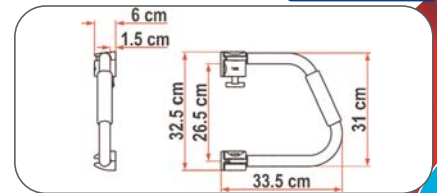
SECURITY

100%
ALUMINIUM



SECURITY 31 - SECURITY 46

Elegant security handle made of solid painted aluminium with 30mm diam. and 2mm thickness. While travelling it takes up little space when folded against the wall. It also serves as a useful handle to make entering and exiting the vehicle easier. It adapts to all doors opening both to the right or to the left. Complete with key lock and safety release handle, installation brackets, screws and internal counterbrackets. In two colours available: white and grey.



White

Grey

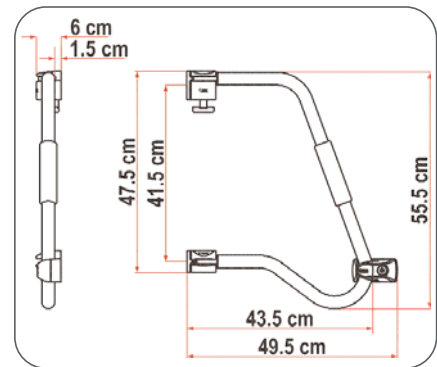


SECURITY 46 PRO

Special version of Security for motorhome doors or for applications where a strong structure is required. Made in light but solid aluminium. Colour: white. Delivered with Kit Security Lock that offers major safety and strength thanks to a third fastening point on the door.



| Model | Item No. |
|-------------------|-----------|
| Security 31 White | 03513-01- |
| Security 46 White | 03513A01- |
| Security 31 Grey | 03513-01G |
| Security 46 Grey | 03513A01G |



| Item No. |
|-----------|
| 03513-04- |



Kit Security Lock

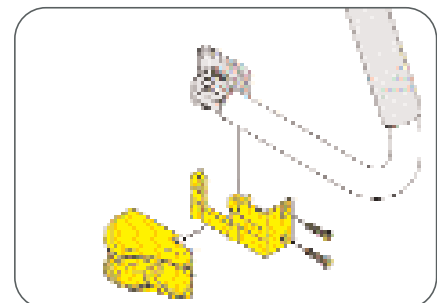


KIT SECURITY LOCK

Optional safety lock kit for security 31 and Security 46 to be installed on the door of the Motorhome. Comes complete with keys and inside brackets. Made of sturdy yet light aluminium. Colour: white.

KIT SECURITY FRAME

Optional kit to be installed on the inside frame of the motorhome and caravan's door in case of installation problems with the lower standard bracket. Suitable for Security 31, 46 and 46 Pro White.



Kit Security Frame

German Utility Model 202006010795.1

| Item No. |
|-----------|
| 98656-449 |



TURBO-KIT



Turbo-Kit installed on 50x70 cm Hymer rooflight

German utility model application 20 2008 008 238.2



Fiamma Vent 50x50



Omni-Vent



RemiTop 400



Seitz Mini Heki



Seitz Midi Heki



Stand-Alone Turbo Kit



You can finally install the fan on large size rooflights

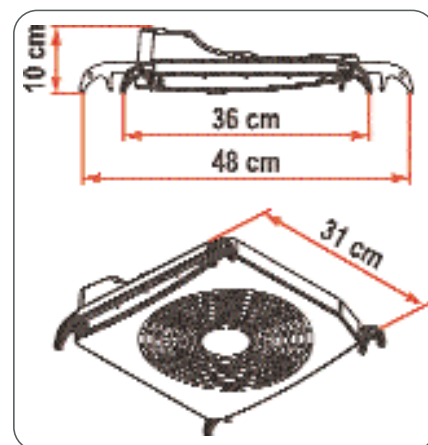
Kit to convert the roof-light into fan. Turbo kit 12 Vdc with telescopic and patented hanging system allows the installation on all roof-lights from 40x40cm to 50x70cm when the vehicle is stationary and the roof light is open.

Composed of a ventilation system with a 24 cm diameter fan and 2 telescopic hangers adjustable from 36 to 48cm.

Complete with a supply cable for lighter and a 12Vdc power supply cable for the motorhome's electric installation, that allows the roof-light to function as fan and aspirator, thanks to the manual system of supply polarity's reverse. Preset to work with batteries (8 batteries of 1,5 V D, not supplied) Usable also as table or hanging-fan. Color ivory.

Dimensions: 31x36(48)x10 cm.

Quality
Motorhome Products



| | |
|----------------------|-------------------------------|
| Feeding tension: | 12 Vdc |
| Absorbed power | 4 W |
| Min. electric input: | 0,20 Amp. |
| Max electric input: | 0,33 Amp |
| Max air flow: | 7,2 m³/min. |
| Fan diameter: | 240 mm |

| | |
|-----------------|-----------|
| Item No. | |
| | 98683-059 |

TURBO-VENT®

Quality Motorhome Products



Fresh air in just a few seconds

Design Model: 402 07 149.2
 Utility Models: 20 2004 010 435.0 - 20 2004 013 390.3
 European Patent: 0 691 227



With Thermostat included
POLAR CONTROL®
The only one that allows you to save up to 50% electricity thanks to a new electronic circuit.

Turbo-Vent is silent at high speed and exceptionally silent at the minimum.

The Turbo-Vent is a ventilation system made from high quality materials, that are shock and UV-ray-resistant.

It changes and refreshes the air inside your vehicle within seconds thanks to the 12V DC variable speed motor with 10 blades.

It is the only one of its kind with an innovative electronic circuit that allows a rapid, problem-free, change of rotation.

The cover can be opened and closed manually and the central arm provides stability against strong wind even when travelling with the cover open. Supplied with double external mosquito screen to collect leaves and other debris.

The transparent grating permits maximum air circulation and filtering of light. Can be installed on roofs with depths of 3cm to 8.5cm using the optional extension kit.

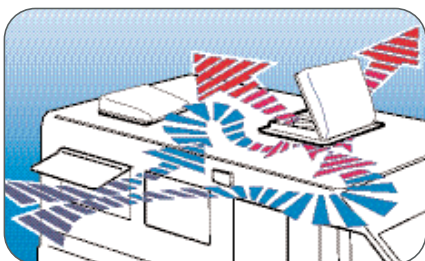
Colours: outside frame white, inside frame ivory, cover white or crystal.



Turbo-Vent White



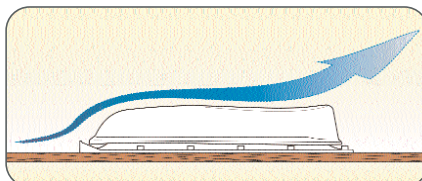
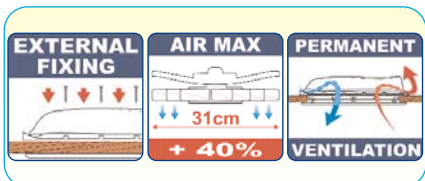
Turbo-Vent Crystal



Due to the particular aerodynamic shape no spoiler is needed



Maximum stability with the center support adjusting arm



| Model | Item No. |
|---------------------------|-----------|
| Turbo-Vent White | 03623F01- |
| Turbo-Vent Crystal | 03623F01B |
| Turbo-Vent White Sandwich | 03623F02- |

TURBO-VENT®

With Thermostat included
POLAR CONTROL®

POLAR CONTROL®

The standard delivered Polar Control is the thermostat that regulates the ingoing and outgoing air of the fan according to the inside temperature of the Motorhome. The switch changes the rotation direction of the fan.



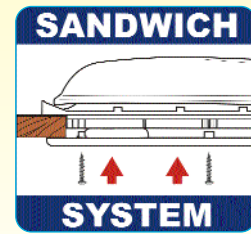
Quiet at night thanks to the optimal minimum speed



Better performance and 50% less consumption thanks to the new electronic circuit and the new motor.

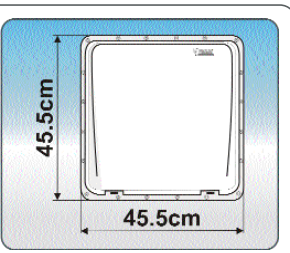
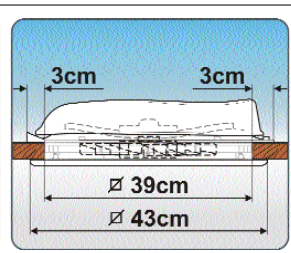
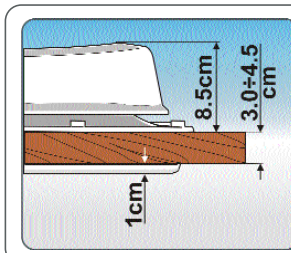


New transparent grating allows maximum air flow and maximum protection.



Turbo-Vent is now available with internal fixing Sandwich System without screws.

Quality Motorhome Products



| | |
|----------------------|-------------------|
| Feeding tension: | 12 Vcc |
| Absorbed power | 36 W |
| Min. electric input: | 0,3 Amp. |
| Max electric input: | 3 Amp |
| Max air flow: | 35 m³/min. |
| Fan diameter: | 300 mm |
| Permanent air flow: | 80 cm² |

TURBO-VENT® P3

Same features as the Turbo-Vent, but without the Polar Control Thermostat



Excellent reviews on quality and price



Turbo-Vent P3 Crystal

Classic and inexpensive line of Turbo-Vent without thermostat.

Same features as the Turbo-Vent. Standard ventilation, without the automatic thermostat Polar Control. New transparent grating allows maximum air flow and passage of light.



With the switch that changes the rotation direction of the fan



Better performance and less consumption thanks to the new electronic circuit



| Model | Item No. |
|-----------------------|-----------|
| Turbo-Vent P3 White | 03623G01- |
| Turbo-Vent P3 Crystal | 03623G01B |



Quality Motorhome Products



Extra quiet also at high speed

German Design Model: 402 07 149.2



Rooflight Vent White



Rooflight Vent Crystal



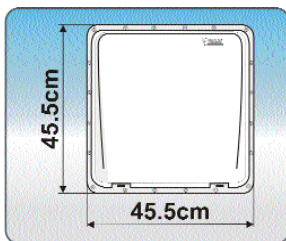
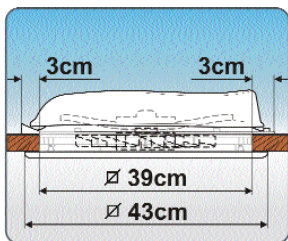
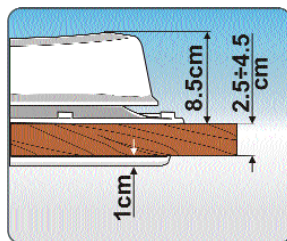
Excellent performance and elegant!

Aerodynamic, thanks to its elegant external profile top. During high-speed testing noise and vibrations were greatly reduced. Thanks to the new outside cover and exclusive patented rubber seal, a watertight system guarantees rain streams down without the possibility of it coming in. TÜV and ABE approved. Made with high quality UV-ray resistant materials. Maximum stability with centre support adjusting arm. Can be installed on roofs with depths of 2.5cm to max 5cm. For installation on roof with depths of max 8.5 cm, the optional extension kit (Item No. 98683-112) can be used.

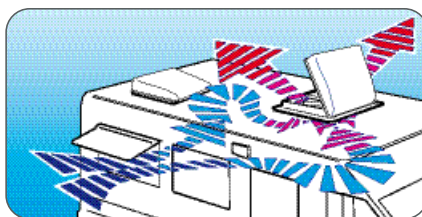
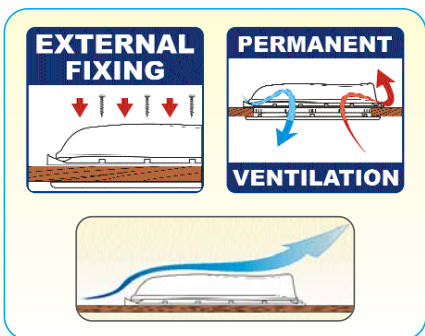
The Vent White does not need the roller blind. The optional Rollo Vent 40x40 can be fitted to the vent Crystal. Interchangeable with the old Fiamma Roof-lights 40x40 and with rooflight from 36x36cm to 42x42cm thanks to the reinforced frame. Supplied with permanent air flow ventilation and mosquito screen. Colours: outside frame white, inside frame ivory, cover white or crystal.



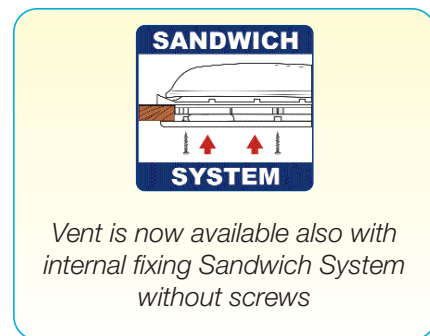
The cover can be easily replaced due to the quick installation hinges



| Model | Item No. |
|---------------------|-----------|
| Vent White | 04328B01- |
| Vent Crystal | 04328B01D |
| Vent White Sandwich | 04328B02- |



Due to the aerodynamic shape no spoiler is needed



Vent is now available also with internal fixing Sandwich System without screws

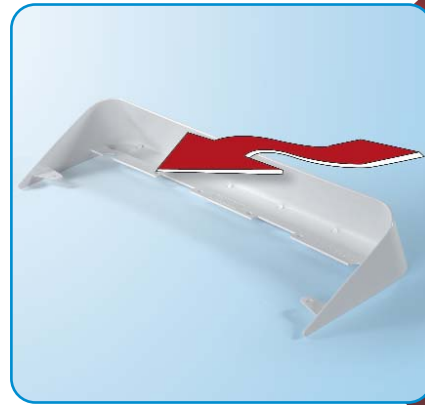
VENT® Accessories



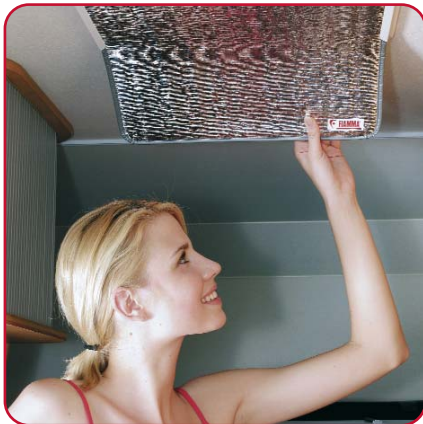
Spoiler 40x40 on Vent 40x40 White

SPOILER 40X40

This special spoiler assists by channelling the air smoothly around your existing rooflight and thereby reducing both wind resistance and noise levels. It is made of UV-ray resistant ABS plastic. It is easily installed with the roof vent screws or can be attached with suitable adhesives (Sika). Designed to fit most sizes of rooflights using the spacers included.



| Item No. |
|-----------|
| 03585-01- |



Thermo-vent 40

THERMO-VENT 40

Insulated vent shield. Keeps your RV warmer in the winter! Suitable for all rooflights 40x40. The aluminium surfaces assist by reflecting sunlight and by reducing heatloss. Dimensions: 40x40cm. Thickness: 6mm.



| Item No. |
|-----------|
| 03650A01- |



Rollo Vent 40x40

ROLLO VENT 40X40

Elegant roller blind system perfect for installing on Fiamma Vent 40x40 rooflights. Permanent air flow ventilation thanks to side grills. Low profile frame. Colour: ivory.



| Item No. |
|-----------|
| 98683-044 |

VENT® 28 - TURBO 28

ABE
KBA 19930



Vent 28 White

VENT® 28

Ideal for small spaces

28x28cm rooflight, without fan, ideal for airing small spaces. Made with superior quality impact and UV-resistant materials.

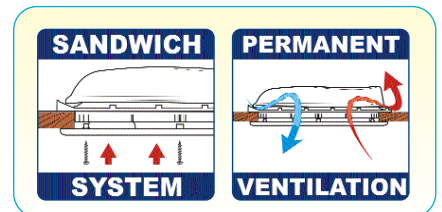
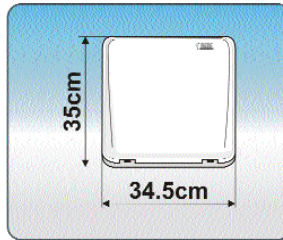
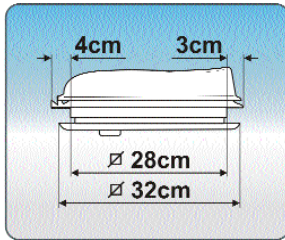
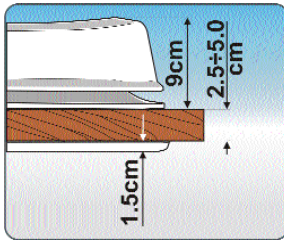
Due to an internal installation system, it is not necessary to drill holes in the vehicle.

Supplied with permanent air flow ventilation system and mosquito screen.

The external aerodynamic cover guarantees a watertight system. For installation on roof with depths of max 8.5cm, the optional extension kit (Item No. 98683-112) can be used.



Vent 28 White



| Colour | Item No. |
|---------|-----------|
| White | 04918-01- |
| Crystal | 04918-01B |



Turbo 28 Crystal

TURBO 28

Fresh air for your motorhome's bathroom and kitchen.

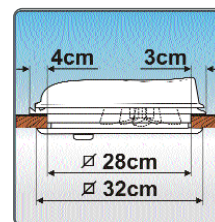
Rooflight 28x28cm, with fan, is ideal for airing small spaces. Made with superior quality impact and UV-resistant materials. Supplied with permanent air flow ventilation system and mosquito screen.



Turbo 28 White



| | |
|---------------------|------------------------|
| Feeding tension: | 12 Vcc |
| Absorbed power: | 25 W |
| Max electric input: | 1.9 Amp. |
| Max air flow: | 9 m ³ /min. |
| Fan diameter: | 180 mm |
| Permanent air flow: | 50 cm ² |



e 24
02*0966

| Colour | Item No. |
|---------|-----------|
| White | 04919-01- |
| Crystal | 04919-01B |

VENT® 50x50

ABE
KBA 19930



Vent 50x50 Crystal

VENT® 50x50

Wide pantograph rooflight that opens on all four sides with practical handles. Maintains constant vehicle ventilation and is now also available with standard roller blind with two rollers, one dark and one with mosquito screen.

Assures permanent ventilation. Locking anti-theft device on the handles. Rainproof and windproof. TÜV and ABE approved, and made with high quality UV ray-resistant materials.

Colours: outside frame white, inside frame ivory, cover white or crystal. Turbo-Kit can be easily installed like optional (pag. 109).

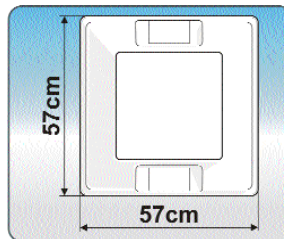
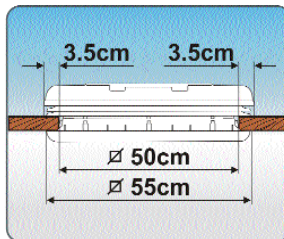
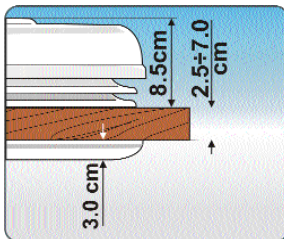


Vent 50x50 White

Quality
Motorhome
Products



Standard delivered with roller blind with two rollers, one dark and one with mosquito screen



| Colour | Item No. |
|---------|-----------|
| White | 01668-01- |
| Crystal | 01668-01D |

ROLLO VENT 50

Optional roller blind with two rollers, one dark and one with mosquito screen for previous model of Vent 50x50. Dimensions: 55x55 cm.

| Item No. |
|-----------|
| 98683-045 |

ABE
KBA 19930



SPOILER 60

New aerodynamic roof spoiler is ideal for reducing vibration and rooflight noise while travelling. Made with UV-ray resistant sturdy plastic material.

No tools or drilling for installation; can be fixed to vehicle with a suitable adhesive (Sika).

Colour: white.

Ideal for all rooflights up to 60cm. Tested for speed up to 160km/h. Dim: cm 63x17x8h.



| Item No. |
|-----------|
| 04585-01- |

BI-POT® "PREMIUM QUALITY"

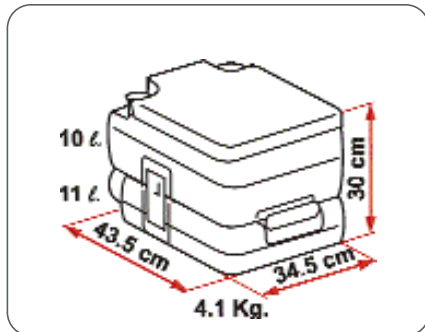


Quality Motorhome Products

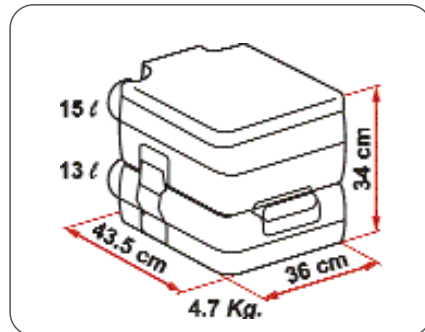


The sturdy portable toilets with scratch-resistant tanks. Easy to transport and to empty.

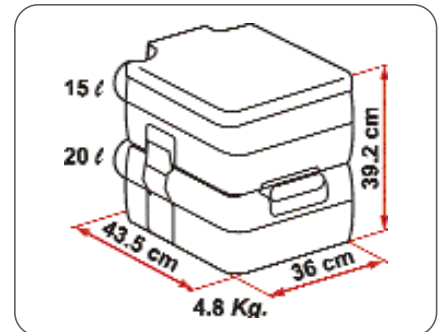
BI-POT 30



BI-POT 34



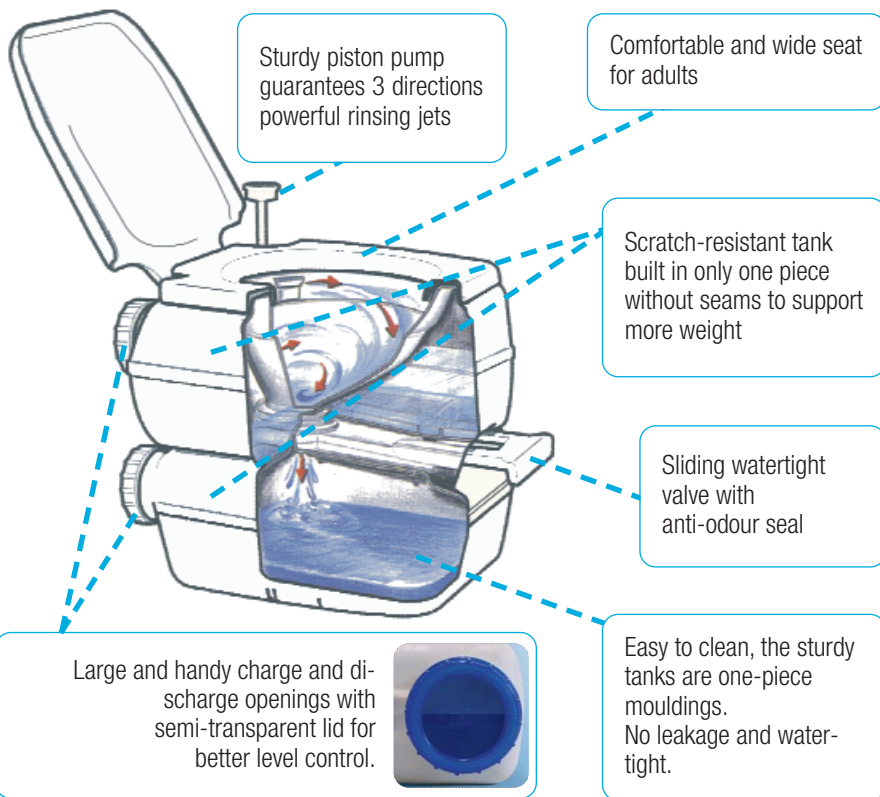
BI-POT 39



BI-POT® 100% Hygiene for the sake of your health. New and elegant design!



Strong Fiamma portable toilet, available in 3 models of different dimensions. Fiamma Bi-Pot® is a simple, strong self-contained fresh water flush portable toilet. A very simple system that is both strong and easy to clean. Compact, it can be completely dismantled, including the valve, for thorough and total cleaning. Sturdy and solid handle for easy transportation. Large waste cap: no drainpipe, emptying is easy and hygienic, no clogging. Each tank is electronically tested for a perfect seal. Handy side clips to connect the upper and lower tanks. Colour: Grey. Optional: Bidet and Bidet Universal (Page 119).



Italian Patent 1126170
Design Patent 920/0007
Utility Model M9209391.4
German Utility Model 202 12 999



Bi-Pot 30: smaller dimensions, easy and convenient to place anywhere. Ideal for Minivans. Waste tank with convenient handle for easy transport.

| Item No. | Model | Upper tank | Lower tank | Weight | Dimensions |
|-----------|------------------|------------|------------|----------------|------------------|
| 01356-01- | Bi-Pot 30 | 10 l | 11 l | 4.1 kg. | 43.5x34.5x30h cm |
| 01354-01- | Bi-Pot 34 | 15 l | 13 l | 4.7 kg. | 43.5x36x34h cm |
| 01355-01- | Bi-Pot 39 | 15 l | 20 l | 4.8 kg. | 43.5x36x39.2h cm |



Solid and practical piston pump that guarantees three directions powerful rinse jets. Can be dismantled completely.



Easy hooking
The only one with sturdy side hooks in stainless steel!



External Air valve
Completely external for easy maintenance.



Sturdy collecting tank
Seam-free one-piece construction. Absolutely no possibility of leaks.

Eliminate unpleasant odours and accelerate decomposition of organic remains and toilet paper. Limit gas formation and keep tank clean.



Super Kem Blue concentrated

SUPER KEM BLUE

The most powerful detergent for fixed and portable toilets.

Practical 2 lt. bottle with convenient transparent level indicator makes dosage easy.

The only detergent with security seal.

New concentrated double-action formula that continues working wherever you go and in any weather condition.

Disintegrating, deodorizing, sanitizing, pleasantly scented fluid (pine essence) containing anti-freeze for temperatures to -20°C.

Eliminates bad odours.

90% biodegradable.

Essential for kassett and portable toilets.

Keeps the tank clean.



Super Kem Blue: the one I prefer!



New transparent level indicator, makes dosage easy

**Phosphate free.
Non-Formaldehyde.
Not irritant.
In accordance with European
648-2004 regulation.**

| | |
|-----------------|-----------|
| Item No. | |
| | 97310-022 |



Super Kem Sachets: bottle with security seal

SUPER KEM SACHETS

Powder in sachets for daily use

The Super Kem Sachets are single-dose powder that completely dissolve in water, with a fresh and pleasant scent of pine oil.

Place the sachet directly in the lower tank and it will dissolve quickly. In case of normal use, one dose is enough for max 4/5 days

One container contains 15 sachets of Superkem Sachets 30gr each.



| | |
|-----------------|-----------|
| Item No. | |
| | 97310-023 |

Products for portable or fixed toilet waste tank



Great savings packaging!

SOFT 6

It won't clog up tanks or waste valves

Special 2-ply soft toilet tissue, specially formulated for fixed and portable toilets. Stronger and softer tissue dissolves quickly in water. 300 sheets. 6 roll pack.

Item No.

97312-010

Pure watersoluble wadded cellulose
6 ROLLS FOR THE PRICE OF 4



Essential for Motorhome



Quality Motorhome Products



Transparent level indicator

SUPER RINSE

For portable or fixed toilet fresh water tanks

Scented anti-mildew bactericide for chemical toilet fresh water tanks. Anti-algae. Effective rinsing operation. Cleans and protects the bowl. Available in 1l bottle. In accordance with European 648-2004 regulation.

Item No.

97310-080



TOILET BRUSH PRO



Toilet Brush Pro: toilet brush holder designed specially for motorhome bathrooms. Compact, it takes up very little space in the corner of the bathroom. The big bristle brush cleans efficiently without scratching. Colour: White.

Toilet Brush: standard delivered with velcro to be fixed to the inside Bi-Pot cover. Colour: White.

TOILET BRUSH



BIDET

Italian Patent: 1154807



Universal - for all Bi-Pot® types; also adapts to Thetford® Porta Potti®, Cassette 1, 2, 3, and 4.

Bidet 200 - for swivelling Thetford® Cassette 200, C250 and Dometic CT3000.

| Model | Item No. |
|------------------|-----------|
| Toilet Brush Pro | 98659-035 |
| Toilet Brush | 98659-025 |
| Bidet Universal | 03483-01- |
| Bidet 200 | 03483A01- |

AQUA[®] 8

Italian Patent: 1221254
German Utility Model 201 09 722.2

The silent pump!

The only self-priming pump with incorporated filter and anti vibration Silent Plate included. The Aqua 8 pumps water vertically over 3m with no priming.

The stainless steel filter prevents impurities from entering and is easily cleaned so the pump lasts longer. An automatic pressure switch starts and stops the pump by opening and closing the valve.

Non-toxic materials are used for all parts of the pump that come into contact with water.

The pump is resistant to limestone deposits and oxidation.

It can run dry without damage.

The pump can operate in any position, but we recommend installation by placing the motor on top and the head below to prevent possible damage caused by leaks. Install on a solid surface to reduce noise and vibrations.

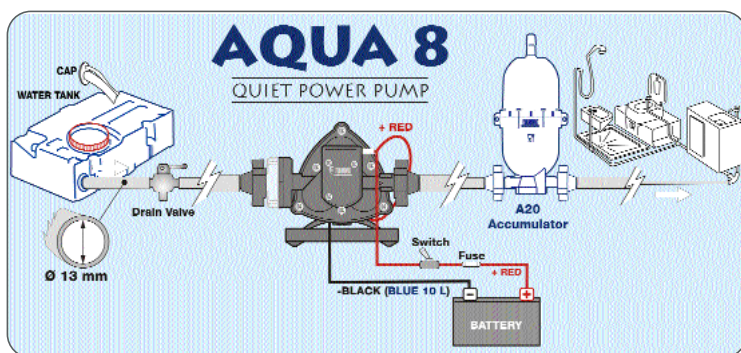
Easy maintenance: all its components are easily replaceable.

Angle and straight connectors for Ø 13mm pipes included.

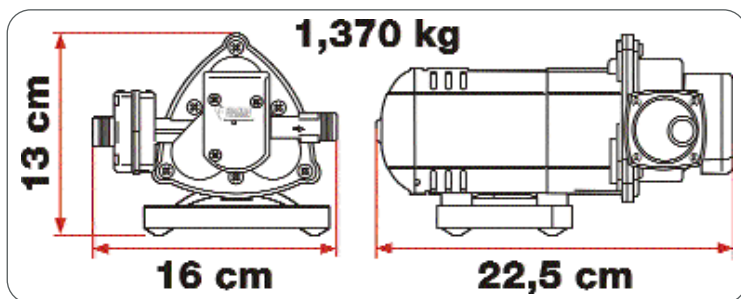
Standard version with Pressure switch intervention to 1.5 Bar for cumulating Truma boilers.



Even more quiet



The perfect spare pump, interchangeable with others



Anti vibration Silent Plate included

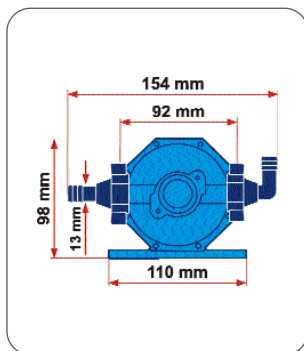
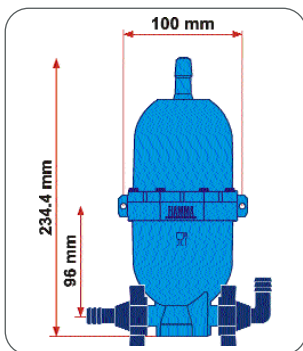
| Item No. | 01216C01- | 01216B01A |
|-------------------------------|-----------|-----------|
| Power Supply | V | 12 |
| Absorption (A) | 1,4 | 3,4 |
| Max. flow (l/min.) at 0 bar | 7 | 10 |
| Noise level (db) | 55/60 | 65/70 |
| Pressure switch interv. (Bar) | 1.5 | 1.5 |
| Pressure switch interv. (Psi) | 21.75 | 21.75 |



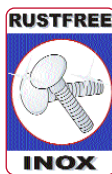
A20



With A20 you can save up to 28% of electricity!



The universal expansion tank.

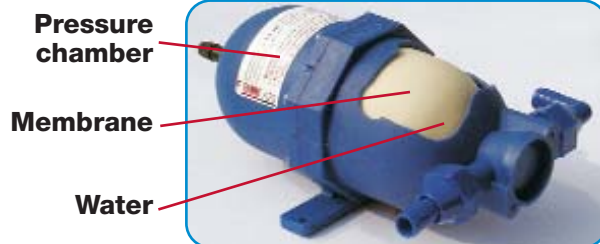


Ideal addition to AQUA 8, previous models and all other types of pressure switch pumps (for example Shurflo and Flojet).

The new expansion tank eliminates the pulsating operation of pressure switch pumps and supplies a constant flow of water in the required quantity. It extends the life of the pump and boiler and cuts water consumption.

The internal pressurized diaphragm provides a smooth, surge-free flow.

The A20 can be dismantled for diaphragm operations. It is precharged at 0.9 bars (13 psi) but it can be charged with the special valve with a normal compressor so it can be adapted to all pressure switch pumps on the market.



| | |
|-----------------|--|
| Item No. | |
| 02478-01- | |



DISPENSER

Elegant - Practical - Useful

0.20l refillable liquid soap or shampoo dispenser. With transparent container. Practical long-lasting push-button pump. Dispenser: 100 doses. Dimensions: 15x8x5,5 cm.

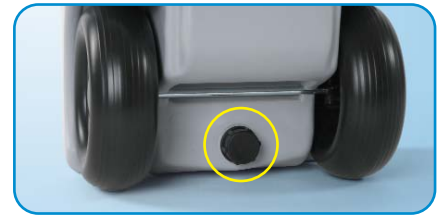
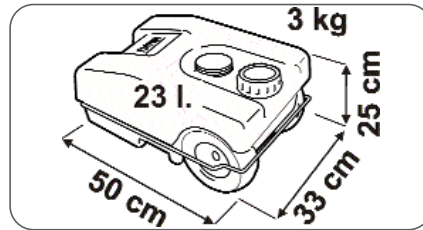
| | |
|-----------------|--|
| Item No. | |
| 04777-01- | |

TANKS



ROLL-TANK® 23 W

New practical and portable 23l waste water tank with total discharge cap. Compact size (fits through normal vehicle doors), grey colour.



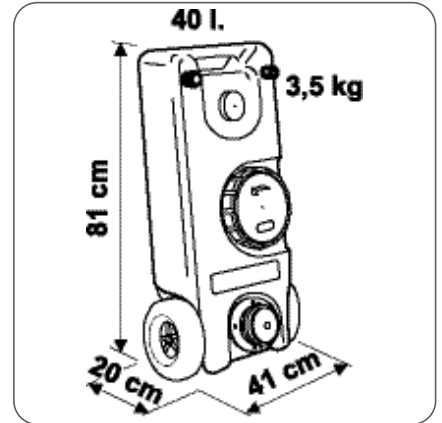
Total discharge cap and no-noise rubber wheels

| Item No. | 02428A01- |
|----------|-----------|
|----------|-----------|



ROLL-TANK® 40 W

40l waste tank with level indicator and air release valve. Filling and discharging are performed through a Sanitary-Flex drain tube (not included). 45° angle adapter for discharge is included.

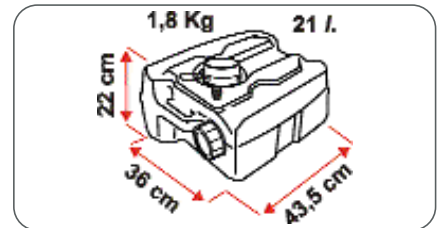


| Item No. | 02428-01- |
|----------|-----------|
|----------|-----------|



TANK® 21 W

21l waste tank with air valve and bayonet connection to the Sanitary-Flex drain tube (not included). Colour: grey.



| Item No. | 01684-01A |
|----------|-----------|
|----------|-----------|



KIT TANK-FLEX

Drain kit for waste tank composed by: 1 cap with level indicator, 1 flexible hose Ø 30 mm, it can be extended to 90cm. Delivered with threaded cap. Available in 2 versions:
21 W with bayonet cap
23 W with threaded cap.



| Item No. | Description |
|-----------|--------------------|
| 98659-034 | Kit Tank-Flex 21 W |
| 98659-033 | Kit Tank-Flex 23 W |



KIT SANITARY FLEX

Flexible hose extendable 75cm, with two fittings, one for the connection with Roll-Tank 40W, Tank 21 W and Tank 18W and the other in stainless steel for an additional connection with the valve of your motorhome.

| Item No. | 02438-01- |
|----------|-----------|
|----------|-----------|

TANKS



ROLL-TANK® 23 F

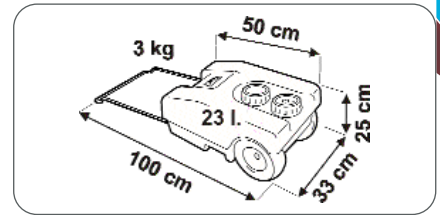
Convenient portable 23l fresh water tank with total discharge cap. Compact size (fits through normal vehicle doors), colour blue. Supplied with extra cap for immersion pump (not included).



Roll-Tank 23 F: essential for caravans and motorcaravans



Total discharge cap and no-noise gummed wheels

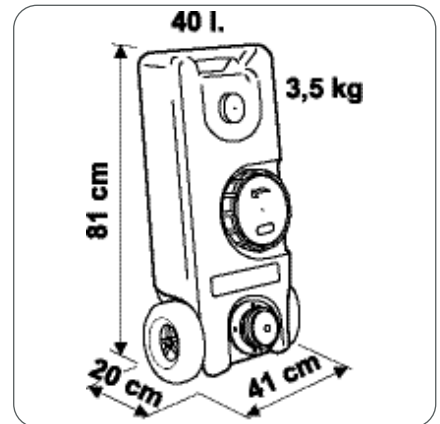


| Item No. |
|-----------|
| 02428A01A |



ROLL-TANK® 40 F

Portable 40l drinking water roll tank with easy grip handle and two large wheels that make transportation easy even on gravel. Made of non-toxic material. Easily cleaning wide cap.

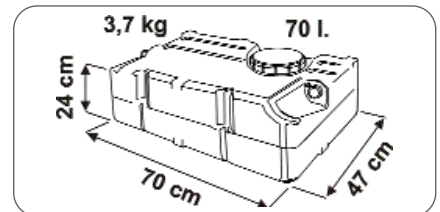


| Item No. |
|-----------|
| 02428-01A |



TANK 70 L

70l fresh water tank made of non-toxic material. It can be installed either vertically or horizontally. Comes complete with all necessary fittings for installation. Water inlet pipe size Ø38mm and air outlet Ø13mm.



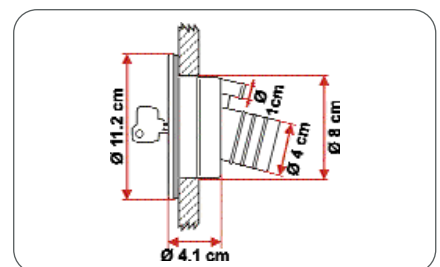
| Item No. |
|-----------|
| 01537-01- |



WATER CAP

Locking water cap that complies with European closure system standards. Two colours available.

| Model | Item No. |
|-------|-----------|
| White | 94715-010 |
| Black | 94715-005 |



LEVEL UP

The original version is only from Fiamma !
Light, strong and anticorrosive.



LEVEL UP



LEVEL UP JUMBO

Level your motorhome with the essential Level Up

Keep your motorcaravan perfectly levelled for improved operation of equipment when parked on uneven ground. Ridged surface to grip to the vehicle's tires. Lightweight and made in rust-proof material, easy to clean and UV-resistant. Will not crack or break like wood. Non-skid finish. Multi-levelled. Wider dimensions for a better support which make the rise of your motorhome easy. Solid construction in UV-resistant polyethylene. 2 Pieces package.

LEVEL UP



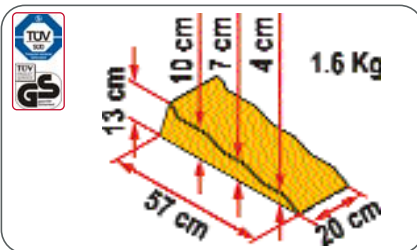
Level Up Yellow con Chock



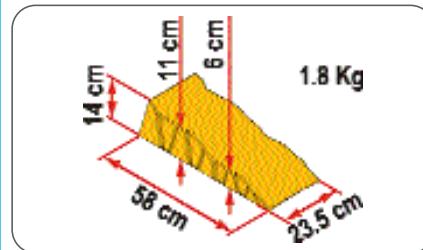
LEVEL UP JUMBO



Level Up Jumbo



Level Up Black



KIT LEVEL UP



Kit composed of:
- 2 Level Up in yellow
- 1 Level Bag.

KIT LEVEL UP JUMBO



Kit composed of:
- 2 Level Up Jumbo
- 1 Level Bag.

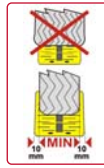
| Model | Dimensions cm | Weight | Max axle weight | Levels | Item No. |
|-----------------------|---------------|--------|-----------------|--------|-----------|
| Level Up yellow | 57x20x13h | 1,6 kg | 5 ton. | 3 | 97901-033 |
| Level Up black | 57x20x13h | 1,6 kg | 5 ton. | 3 | 97901-034 |
| Level Up Jumbo yellow | 58x23,5x14h | 1,8 kg | 8 ton. | 2 | 97901-035 |
| Kit Level Up | 57x20x13h | 1,7 kg | 5 ton. | 3 | 97901-048 |
| Kit Level Up Jumbo | 58x23,5x14h | 1,9 Kg | 8 ton. | 2 | 97901-049 |

LEVEL PRO

German Utility Model 20 2004 008 370.1



Light, strong and inexpensive !



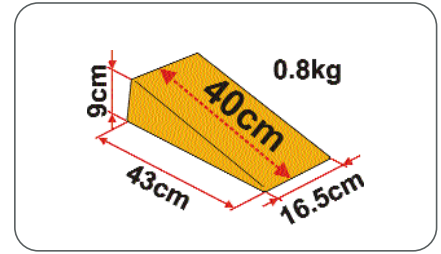
Level your caravan with the essential Level PRO

New innovative design leveller, ideal for caravans. Solid construction in HD UV-resistant polyethylene anti-slip finish. Anti-Slip Plate and Chock Level available as optional. Practical self-locking overlap system. 2 piece package. New **Caravan Kit** composed of:
1 Level Pro,
1 Anti Slip Plate.

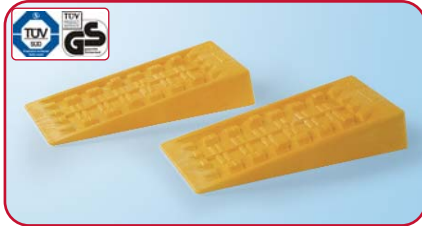


Level PRO with Anti Slip plate

| Model | Item No. |
|-------------|-----------|
| Level Pro | 97901-006 |
| Caravan Kit | 97901-008 |



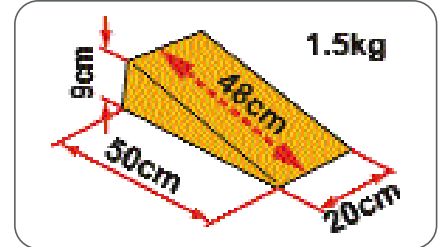
LEVEL SYSTEM®



Level System Magnum

LEVEL SYSTEM® MAGNUM

Practical self-locking overlapping system that can raise height. Max axle weight 8 tons. Ideal for Motorhomes. Anti Slip Plate and Chock Level optional. 2 pieces package.



| Item No. |
|-----------|
| 97901-015 |



Level System Jumbo

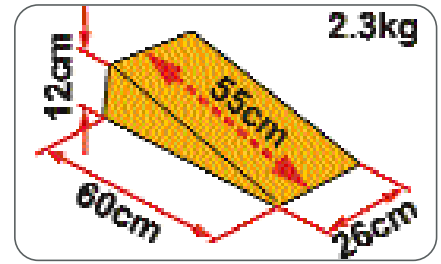
LEVEL SYSTEM® JUMBO

Practical self-locking overlapping system that can raise height. Max axle weight 14 tons. Ideal for twin tyres. 2 pieces package.

Italian Utility Model 920/0009



| Item No. |
|-----------|
| 97901-016 |



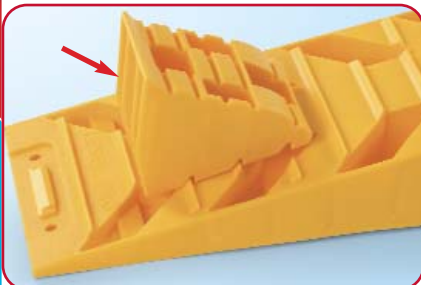
Quality Motorhome Products



Quality Motorhome Products

LEVEL SYSTEM Accessories

CHOCK LEVEL

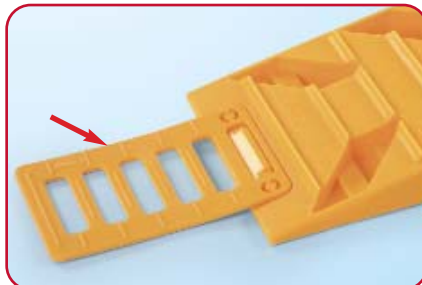


Chock Level on Level Pro

The chock (optional) is to be used with **Level Up, Level Pro and Level System Magnum** to secure the wheels during long stopovers. Solid construction in UV-resistant HD polyethylene. Each one weighs only 130gr. 2 pieces package.

German Patent: 100 10 372.3

ANTI SLIP PLATE



Anti Slip Plate su Level PRO

New optional anti-slip plate to block the level system on paved surfaces only. Suitable for **Level Up, Level System Magnum, Level Pro, Level Up Jumbo and Wheel Saver**
Dim.: 100x160mm.
2 pieces package.

German Utility Model 20 2004 008 370.1

LEVEL BAG



Level Bag

Bag for your **Level Up, Level System Magnum, Level Pro, Level Up Jumbo and Wheel Saver**. It's made of Polyester, it's washable. It's the indispensable accessory to put the Level Up away and to carry it easily thanks to its comfortable shoulder belt. Thanks to the Level Bag you can keep the vehicle clean.
Colour: Black and red.
Dimensions: 65x24,5x18,5h. cm.

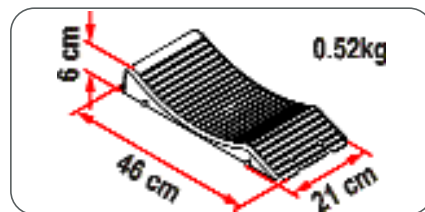
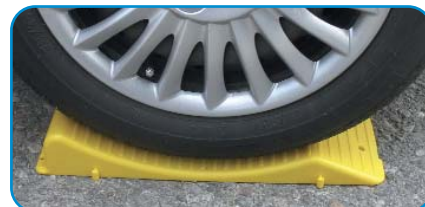
| Model | Level Up | Level Up Jumbo | Level Pro | Level System Magnum | Wheel Saver | Item No. |
|-----------------|----------|----------------|-----------|---------------------|-------------|-----------|
| Chock Level | ● | | ● | ● | | 97901-031 |
| Anti Slip Plate | ● | ● | ● | ● | ● | 97901-007 |
| Level Bag | ● | ● | ● | ● | ● | 05950A02A |

NEW



WHEEL SAVER

The new Fiamma system of cradles that avoid the tires ovalization, suitable for wheels till 70cm Ø. Ideal in case of long parking and garaging. It is possible to fix the cradles on the floor of the garage, in order to have a fixed position of parking. Package of 2 cradles made of resistant plastic material.
Dimensions: 46x21x6 cm.



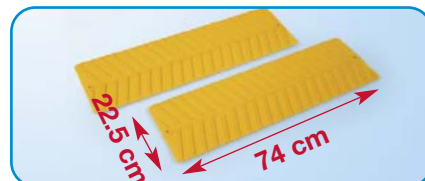
German Utility Model 202009004719.9

Item No.

97901-009

GRIP SYSTEM

Anti-skid system with superior traction. The two grips can be combined into one long piece to position under the motorcaravan's wheels. Solid construction in UV-resistant polyethylene. Easy to clean. Ideal on sand and mud, can be used with Level Up.
2 pieces package.



Item No.

97901-040

JACKS

Jacks with more support surface
Fiamma Jacks safely stabilise your vehicle because they are sturdy
and offer a large support surface



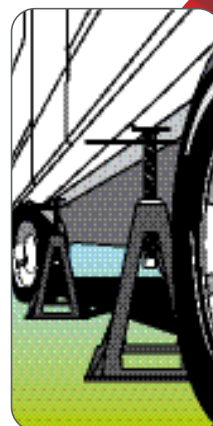
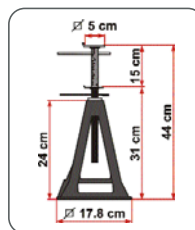
PLASTIC JACKS

Plastic UV-resistant jack, colour black. Max. load 750kg each. Half the weight of Alu Jacks. Comes in a package of 4 stacked pieces. Adjustable in height from min. 31 cm to max 44 cm. Each weighs only 3,2 Kg.

Item No.

00680C01-

X LARGE
 17.8 cm
BASE



Quality
 Motorhome Products



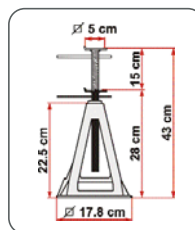
ALU JACKS

Aluminium jack, holds max. load of 1000kg each. Comes in a package of 4 stacked pieces. In buffed aluminium. Adjustable in height from min. 28 cm to max 43 cm. Each weighs only 3,6 Kg.

Item No.

00680-01-

X LARGE
 17.8 cm
BASE



PLATES PRO

They can be left in place while travelling

Kit of 4 anti sinking bases supplied with 4 locks to be fastened to the vehicle's lifting jacks. Permanently secured even when travelling. Colour: black. Dimensions: 19x14,5cm.



Ideal for soft ground and to help support the vehicle's weight.



Item No.

98656-040



PLATES

For the feet of the caravan

Kit of 4 highly reinforced anti-sinking plates. Colour yellow. Dimensions: Ø20cm.



Ideal for soft ground and to help support the vehicle's weight.



Item No.

98656-013

STEP

Step in and out
of your vehicle safely!



Approved to hold 200 kg.

STEP MAGNUM

New and improved step for caravans and motorcaravans made of UV-resistant HD polyethylene for more stability and strength. Non-skid surface.

In accordance with EN1645-1646 regulations.

Colour: grey.

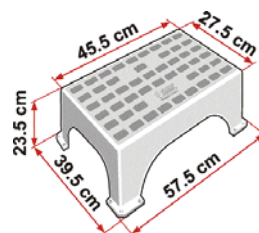
Supporting surface: 45.5x27.5 cm.

Dimensions: 57.5x39.5x23.5 cm.



Item No.

04630-01-



STEP

The classic step for the motorhome and caravan, made of UV-resistant HD Polyethylene for more stability and strength.

Non-skid surface.

Colour: grey.

Supporting surface:

42x27,5 cm.

Dimensions:
50x35,5x23 cm.



Item No.

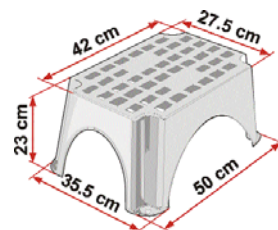
02950-01-



Beware of imitations



Approved to hold 150 kg.



ALU STEP PRO

Step for caravans and motorhomes in anodized aluminium. Innovative system with folding legs for easy storage. When open they make the step very stable and sturdy.

It carries up to 200 Kg.

Large anti-skid surface.

It weighs only 2.950 kg.

Dimensions when closed:

47x33.6x3.5cm.

Opened: 47x33.6x20.6cm.



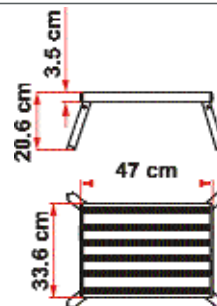
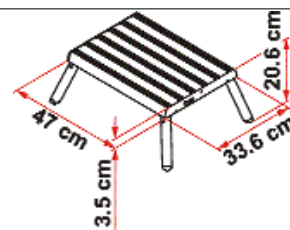
In accordance with EN1645-1646 regulations.

Item No.

04316-01-



German Utility Model: 203 13 445.1

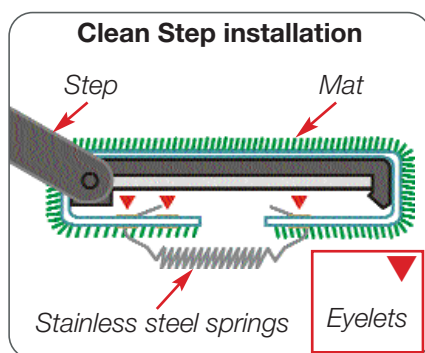
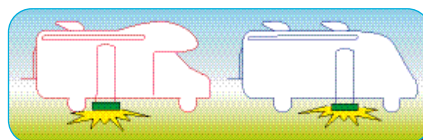




| Colour | Item No. |
|--------|-----------|
| Green | 04593-01- |
| Black | 04593-01A |

CLEAN STEP

Doormat suitable on electric or manual steps of your motorhome or caravan. Keeps your motorhome clean, leaving out sand and mud. Supplied with springs. It is made of plastic material. Can be adapted to steps size min 38x40 cm to max 45x40 cm by means of the holes, to be fixed it with provided springs. Colours: green or black.



Quality Motorhome Products

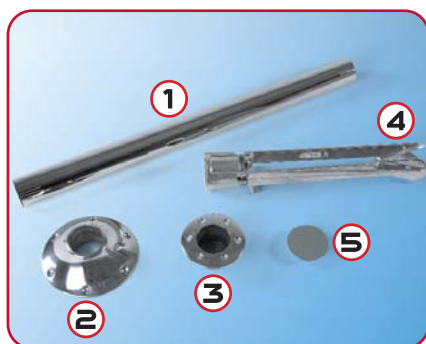


TABLE LEGS

A range of modular table legs ideal to build dismantable and revolving tables. Tubes made of chrome-plated steel available in the following lengths: cm 70 - 60. Conic and recessed connections are made of aluminium. Easy to assemble and disassemble. The recessed connection is flush with the floor; special plastic cap to cover the hole available upon request. Supplied with self-threading fixing screws. Convenient tripod base allows the table to be carried outside. It is standard delivered with an anti-closing device.



| Model | Item No. |
|-------------------------|-----------|
| Tube 70 cm (1) | C0380-01- |
| Tube 60 cm (1) | C0380-01A |
| Conic Connection (2) | C5063-01- |
| Recessed Connection (3) | C0331-01- |
| Tripod (4) | 00713-01- |
| Cap (5) | 02411-01B |



Tripod completed with exclusive anti-closing device Lock

NEW

Quality Motorhome Products



Porta-Kassett C250



Porta-Kassett

PORTA-KASSETT

New container for an extra spare toilet tank.

Complete with installation kit. Big practical cover facilitates the insertion and extraction of the tank.

Made in sturdy shock and weatherproof plastic.

Colour: Grey.

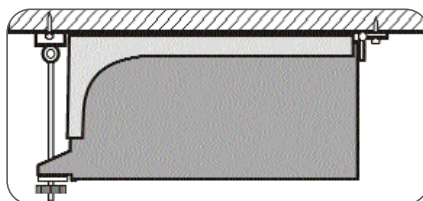
Two versions available:

- **Porta-Kassett** for Thetford® Cassette C200 and Dometic CT 3000.

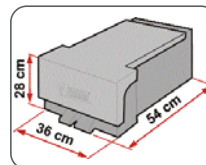
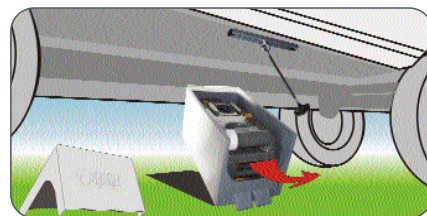
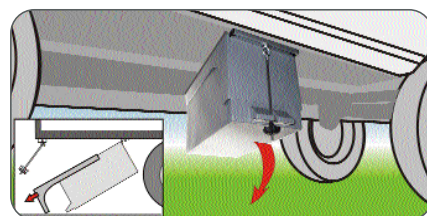
Dimensions: 29x52x28,5cm.

- **Porta-Kassett C250** for Thetford® C250.

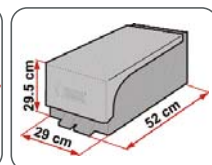
Dimensions: 29x51x31,5cm.



German Utility Model: 203 13 444.3



Porta-Kassett C250



Porta-Kassett

| Model | Item No. |
|--------------------|-----------|
| Porta-Kassett | 04778-01- |
| Porta Kassett C250 | 04778A01- |



OMNI STOP

An innovative yet simple accessory, ideal to keep plates and items in place as you travel.

Easy to block and unblock.

Securing bar made in anodized aluminium.

Support bar in anodized aluminium 25cm. high.

Support handle in sturdy plastic 20cm. long.



| Item No. |
|----------|
| 04912-01 |



CAMPERINO

For the joy of future campers!

Here is the little Fiamma motorhome with awning, door and open roof.

Complete with table, chairs and inside furniture which can be dismantled.

Dimensions: 20x6.5x9.5cm.

With pull back action.



| Item No. |
|-----------|
| 99501-140 |



MOSKITO NET

Protect your family from insects.

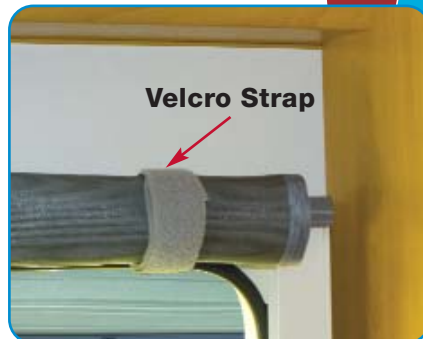
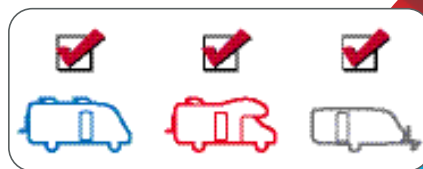
Mosquito screen for motorhome door consisting of 2 overlapping panels.

Each panel is 230cm. high and 35cm. wide.

The bottom of each panel is reinforced and stays taut.

Easily installed by sliding into wall track provided.

Adjustable height.



Velcro Strap

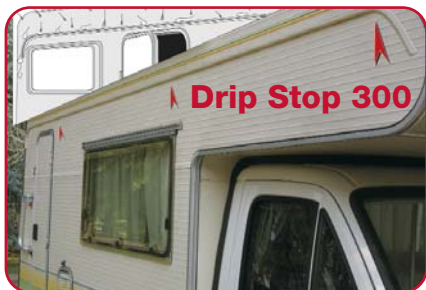


Item No.

03508-01-



Quality Motorhome Products



DRIP STOP

The new Drip-Stop mini-gutter eliminates black streaks from your RV.

The gutter is made in wide-base flexible polyvinyl.

Adhesive acrylic foam of superior quality and adherence is reinforced with aluminium strips that guarantee long life and hold over the years.

Easy to install, UV-ray proof.

Colour white.

Available in 2 lengths.



Drip Stop 75

For doors:

75cm wide

For walls:

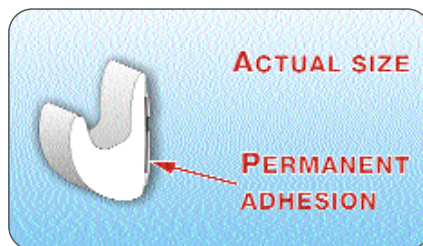
300cm wide



DRIP STOP 75



DRIP STOP 300



ACTUAL SIZE

PERMANENT ADHESION

| Model | Item No. |
|---------------|-----------|
| Drip Stop 75 | 03922-01- |
| Drip Stop 300 | 03922A01- |



Quality Motorhome Products

COVER



COVER TOP

The best solution for protecting your motorhome. Sturdy and hard-wearing cover made with UV-resistant and heavy-duty vinyl to protect the motorhome from dirt and sun. Easy to tighten using ropes or elastic cords (not included). Reinforced corners and tie down grommets every 40 cm. One size only. Dimensions: 8.5x5.2 m.



Item No.

04932-01-



COVERGLAS

Blocks out the sun and protects from UV rays, gives privacy and keeps the windshield clean.

New outside cover for your windshield and side windows. Made in two-layered durable material for excellent insulation from heat and cold. Elegant external finish in polar white that matches the motorhome. Easily installed: no drilling required; the cabin doors are used to support and secure the shade. This practical mounting system is secured on the inside. It prevents theft. Excellent for both summer and winter use. Suitable for Fiat Ducato after 06/2006.

Item No.

04930B01-



Copyright Fiamma. 11/2009. All rights reserved. Printed in Italy. All illustrations and specifications contained in this catalogue are based on the most recent information at the time of the publication. Fiamma S.p.A. reserves the right to modify at any time, without notice, prices, materials, specifications and models or to cease production of any model. Fiamma is not responsible for possible mistakes of printing or inexactnesses pertinent to the contents of the catalogue. The colour of the production may be different because of the processes of printing. This catalogue replaces and cancels the previous ones.

fiamma.com

**Superior Quality Products
for Motorhomes,
Luxury Caravans and
Camper Vans**



Quality Motorhome Products



Fiammastor



Carry-Bike



FIAMMA S.p.A
Via San Rocco, 56
21010 Cardano al Campo - ITALY
Fax +39 0331263777